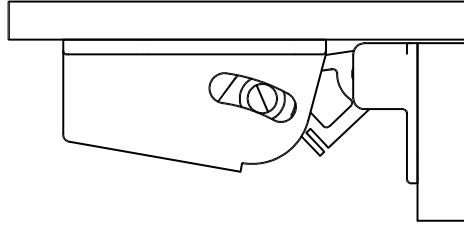


<b>southco</b>		PROPRIETARY ITEM - EXCEPT FOR USES EXPRESSLY SET FORTH HEREON, ALL RIGHTS RESERVED BY SOUTHCO, INC. HEREON IS CONFIDENTIAL AND ALL RIGHTS RESERVED BY SOUTHCO, INC. AND OTHERWISE ARE RESERVED BY SOUTHCO, INC.		SNAPPY LATCH ASSEMBLY		DRAWING NUMBER J-MT-01-10	
REV	DATE	DRAWN/CHKD	DESCRIPTION	ITEM	PART NUMBER	MATERIAL	DRAWN/CHKD SCALE
A	28 JUL 2020	CMS/MSR	PRN: P2020-1438	ASSEMBLY	MT-01-10-7	NYLON, WHITE NYLON, WHITE NYLON, WHITE NYLON, WHITE STAINLESS STEEL	LCR AJH 1.5:1
				HOUSING			
				PAWL			
				GUIDE			
				STRIKER			
				SPRING			
				MILLIMETERS [INCHES]		ALL DIMENSIONS WITHOUT TOLERANCES ARE FOR REFERENCE ONLY.	
				THIRD ANGLE PROJECTION		A3 PAPER SIZE	

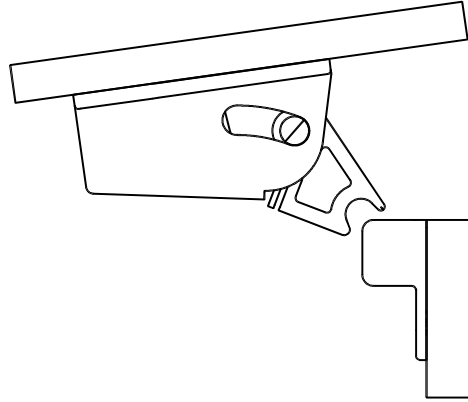
NOTES:

A. MT-01-10-7-P = BAG CONTAINING 1 EACH OF THE LATCH AND STRIKER PACKAGED TOGETHER PER S-34, TYPE 1, CLASS A.

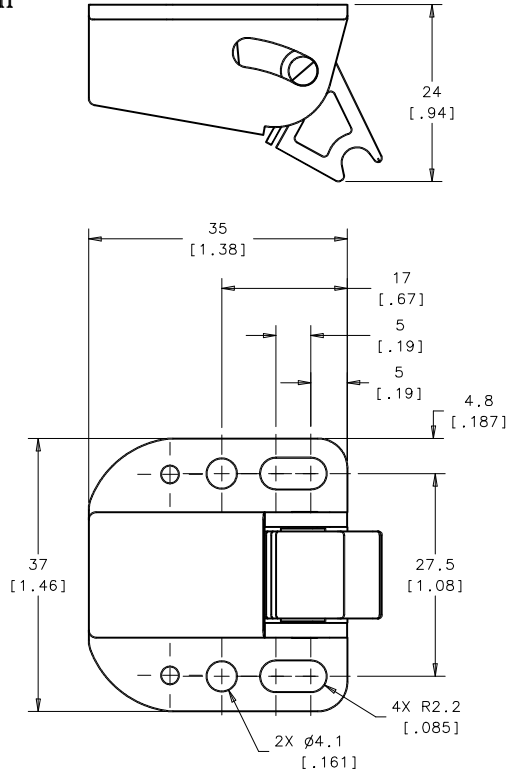
CLOSED



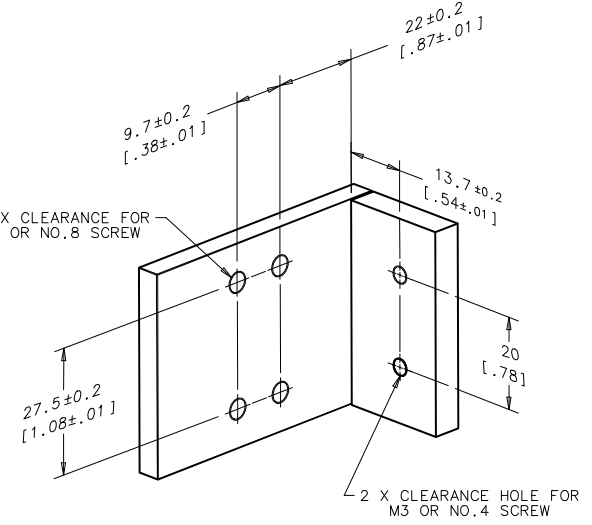
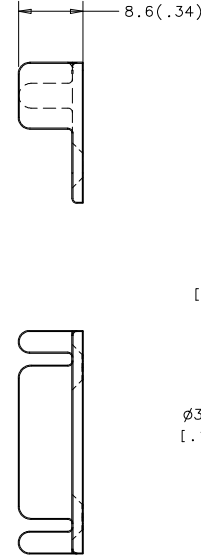
OPEN



LATCH



STRIKER



PANEL PREPARATION