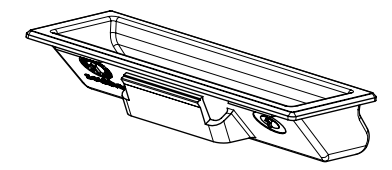
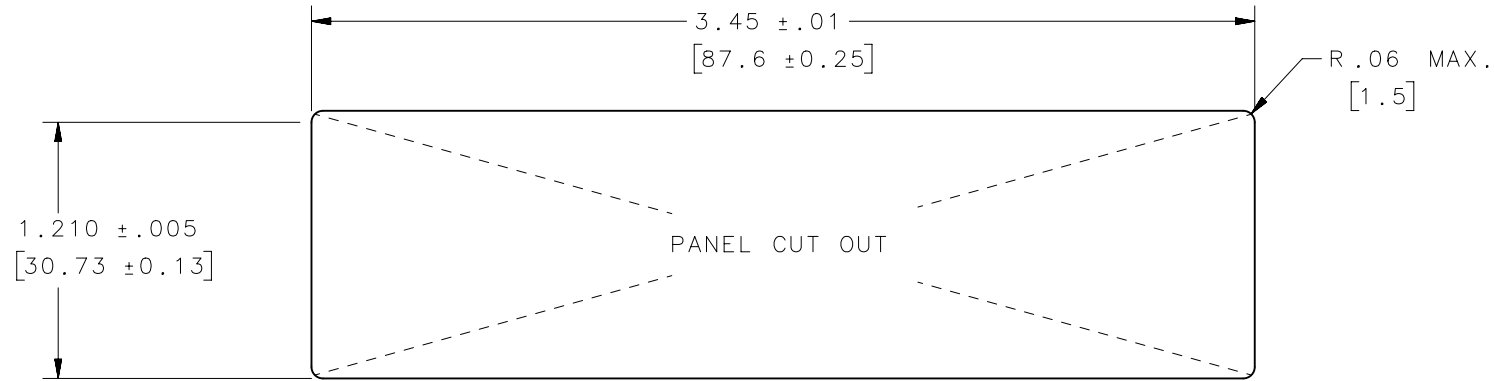
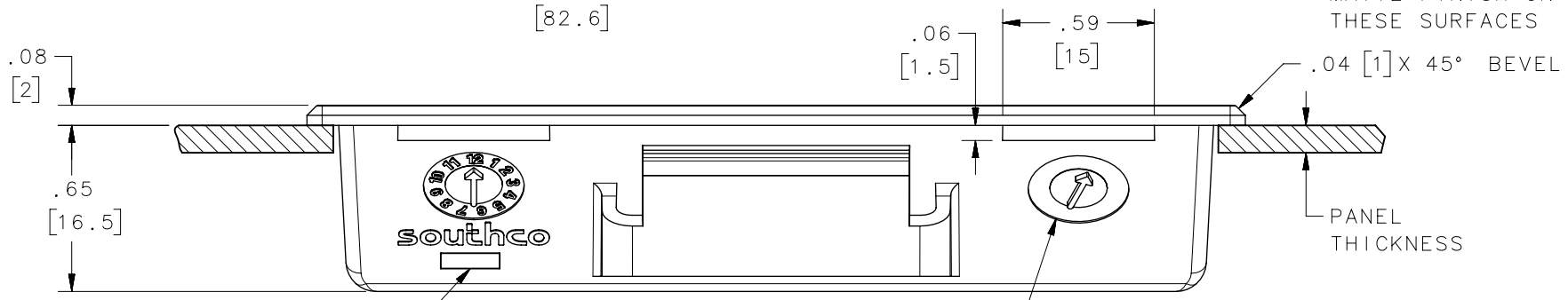
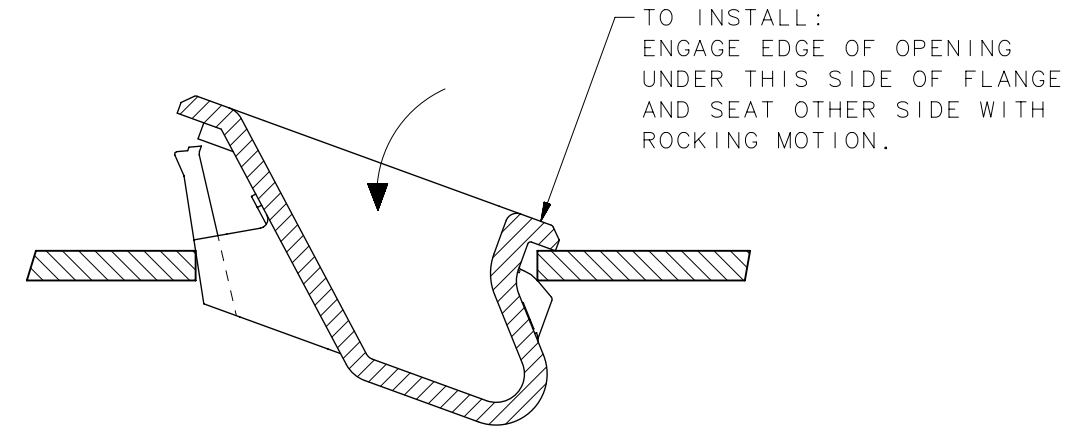
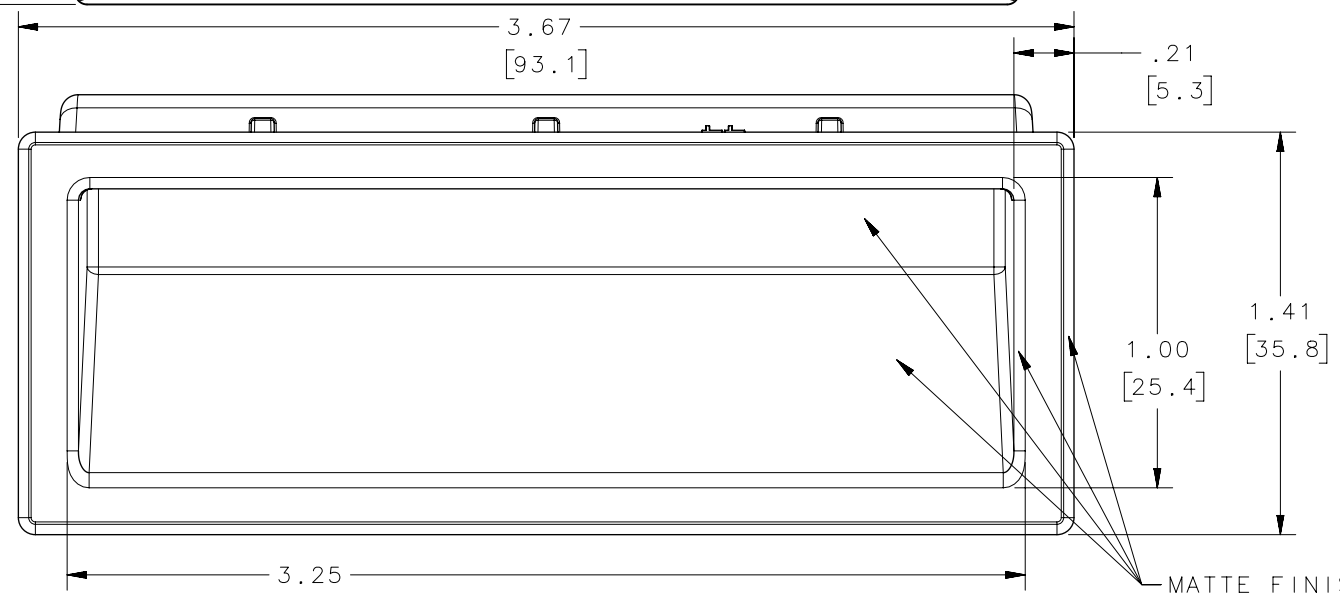


REVISION HISTORY			
REV	DATE	BY	DESCRIPTION
J	05SEP2022	CRM/DMS	PRN: P2022-1571



SCALE 1:2

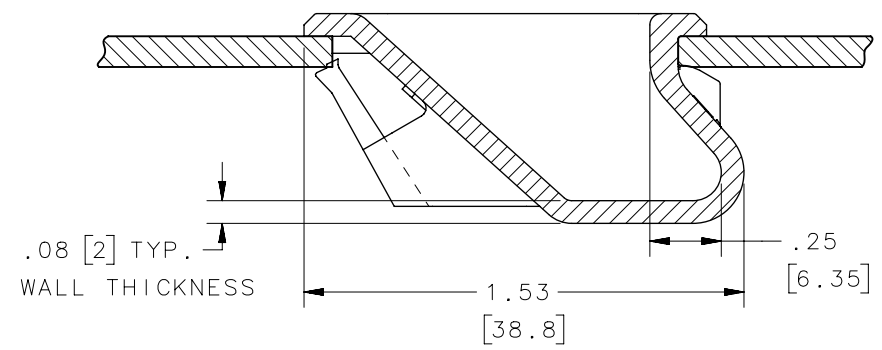


MATTE FINISH ON THESE SURFACES

PANEL THICKNESS

COUNTRY OF ORIGIN (COO) IN 1.5 [.06] HIGH RAISED LETTERS
 "CN" = CHINA
 "UK" = UNITED KINGDOM
 "US" = UNITED STATES

MATERIAL I.D. MARK 1.5 [.06] HIGH RAISED LETTERS
 >ABS< SHOWN AS AN EXAMPLE.



P2-44	ABS, UL94-HB	P2-44-1	PC/ABS, UL94-V0	.085	.100
P2-43	ABS, UL94-HB	P2-43-1	PC/ABS, UL94-V0	.070	.085
P2-42	ABS, UL94-HB	P2-42-1	PC/ABS, UL94-V0	.055	.070
P2-41	ABS, UL94-HB	P2-41-1	PC/ABS, UL94-V0	.040	.055
				MIN.	MAX.
				PANEL THICKNESS	

NOTES:
 A. COLOR. LOW GLOSS BLACK.
 B. PULL IS SHIPPED BULK.
 C. FOR PULL TO BE PACKAGED ONE PER BAG. ADD SUFFIX "-P" TO THE PART NUMBER.

THIRD ANGLE PROJECTION				 CONNECT • CREATE • INNOVATE	
INCHES [MM]					
TOLERANCES UNLESS OTHERWISE NOTED		DESCRIPTION SNAP-IN POCKET PULL®, SMALL			
ALL DIMENSIONS WITHOUT TOLERANCES ARE FOR REFERENCE ONLY.		SIZE B	SYSTEM NX	DWG NO. J-P2-4	
PER ASME Y14.5M-1994		DRAWN BY PEK	DATE 15AUG1990	SCALE 1.5:1	SHEET 1 OF 1

PROPRIETARY ITEM
 EXCEPT FOR USES EXPRESSLY GRANTED IN WRITING, INFORMATION DISCLOSED HEREON IS CONFIDENTIAL AND ALL RIGHTS, PATENT AND OTHERWISE, ARE RESERVED BY SOUTHCO, INC.