

**southco**

PROPRIETARY ITEM - EXCEPT FOR USES EXPRESSLY  
 IDENTIFIED HEREON, ALL RIGHTS, PATENT  
 HEREON IS CONFIDENTIAL AND ALL RIGHTS, PATENT  
 AND OTHERWISE ARE RESERVED BY SOUTHCO, INC.

REV.	DATE	DRAWN	DESCRIPTION	PART NUMBER	MATERIAL	KEY CODE	KEYS
A	01APR2013	DJK/JCG	PRN: P2013-0688	SEE TABLE	SEE NOTE 2	SEE TABLE	SEE TABLE

LOCK PLUG  
 PLAIN HEAD, ZINC BODY

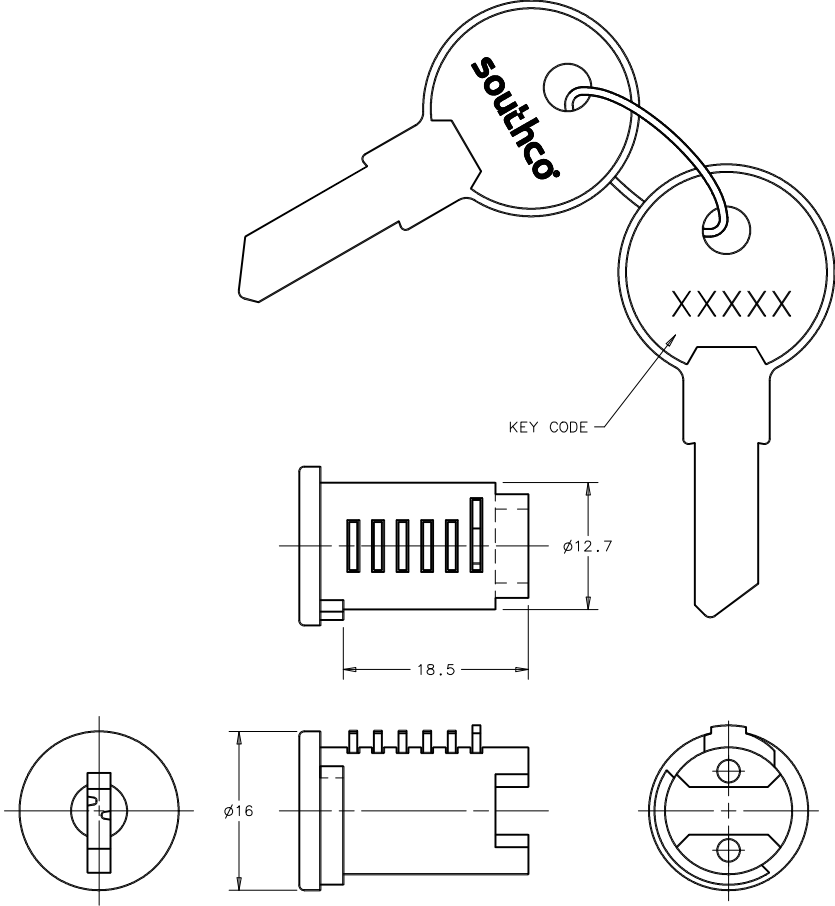
DRAWING NUMBER  
 J-PK-29-A

MILLIMETER DIMENSIONS  
 DIMENSIONS WITHOUT  
 TOLERANCES ARE FOR  
 REFERENCE ONLY.

A3  
 PAPER  
 SIZE

DATE	DRAWN	CHKD	SCALE
01APR2013	DJK	JCG	2:1

LOCK PLUG PART NUMBER					
KEYING	KEY CODE	BAG QTY	NON SHUTTER BLACK POWDER COATED	NON SHUTTER CHROME PLATED	COMMENT
KA (1 KEY CODE)	CH751	1	PK-115-13	PK-116-13	SEE NOTE 5
KA (1 KEY CODE)	RS001	1	PK-29-115-13-RS001	PK-29-116-13-RS001	SEE NOTE 5
KD (KEYED DIFFERENTLY)	RS001-RS010	10	PK-29-115-13-KD1010	PK-29-116-13-KD1010	SEE NOTE 5
KD (KEYED DIFFERENTLY)	RS001-RS050	50	PK-29-115-13-KD1050	PK-29-116-13-KD1050	SEE NOTE 5
KD (KEYED DIFFERENTLY)	RS001-RS125	125	PK-29-115-13-KD1125	PK-29-116-13-KD1125	SEE NOTE 5
MKKD (KEYED DIFFERENTLY)	LS001-LS010	10	PK-29-115-13-MK1010	PK-29-116-13-MK1010	SEE NOTES 5 & 6
MKKD (KEYED DIFFERENTLY)	LS001-LS050	50	PK-29-115-13-MK1050	PK-29-116-13-MK1050	SEE NOTES 5 & 6
MKKD (KEYED DIFFERENTLY)	LS001-LS125	125	PK-29-115-13-MK1125	PK-29-116-13-MK1125	SEE NOTES 5 & 6



- NOTES:
- PART NUMBER COVERS LOCK PLUG COMPLETE WITH TWO KEYS LINKED TOGETHER. KEYS MAY BE INSTALLED IN LOCK PLUG OR PACKAGED BULK.
  - PLUG BODY TO BE DIE CAST ZINC. TUMBLERS TO BE BRASS. KEYS TO BE BRASS, NICKEL PLATED.
  - PLUG BODY FINISH: TRIVALENT CHROMATE. LOCK PLUG HEAD FINISH: SEE LOCK PLUG PART NUMBER TABLE.
  - TO ORDER A LOCK PLUG ASSEMBLY WITHOUT KEYS, CHANGE \*PK-29\* TO \*PK-41\*. FOR EXAMPLE: PART NUMBER PK-41-16-13-ZZZ IS A PK-29-16-13-ZZZ ASSEMBLY WITHOUT KEYS INCLUDED.
  - CONTROL (REMOVAL) KEY, SOUTHCO PART NUMBER PK-11-03. CONTROL KEY SOLD SEPARATE.
  - KEY CODES LS001 - LS125 USE MASTER KEY, SOUTHCO PART NUMBER PK-24-01. MASTER KEY SOLD SEPARATE.