



# FRONT MOUNT ROTO LOCK

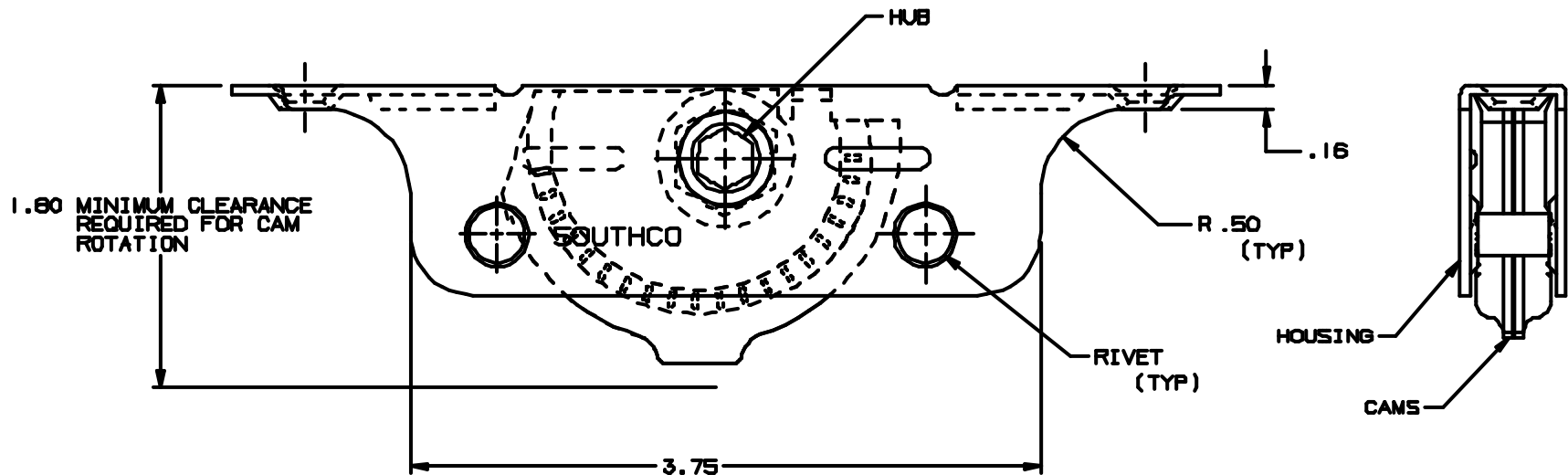
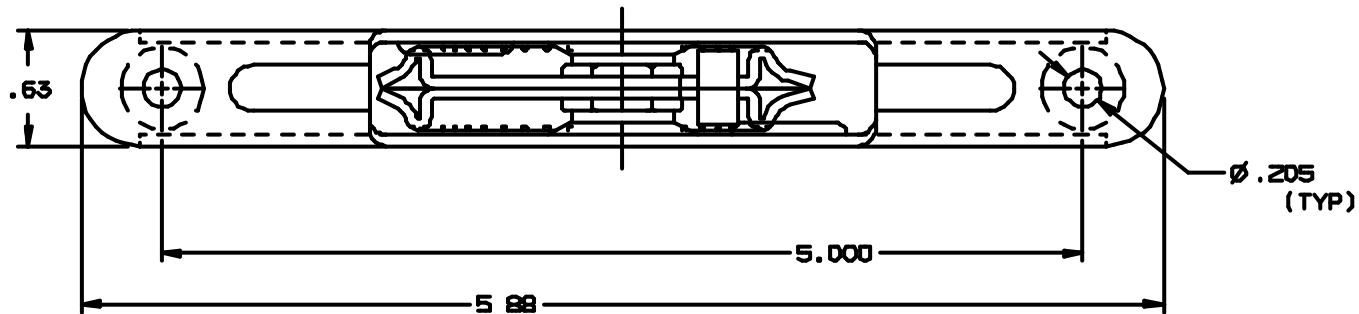
DATE  
10SEPT82DRAWN  
JJF

CHKD

SCALE  
1:1DRAWING NUMBER  
J-R2-0267

REV.	DATE	BY-CHKD	REVISIONS	ASSY. PART No.	COMPONENT	MATERIAL	FINISH
				R2-0267-02			
					HUB	12L14 STEEL	SEE NOTE "A"
					CAM FEMALE	1020 STEEL	SEE NOTE "A"
					CAM MALE	1020 STEEL	SEE NOTE "A"
					RIVET	1018 OR 1023 STL.	SEE NOTE "A"
					HOUSING	1020 STEEL	SEE NOTE "A"

NOTE "A": ZINC PLATE PLUS BRIGHT CHROMATE DIP.



FORMAT 1 MAR 84

PROPRIETARY ITEM - EXCEPT FOR USES EXPRESSLY GRANTED IN WRITING  
 INFORMATION DISCLOSED HEREON IS CONFIDENTIAL AND ALL RIGHTS PATENT  
 AND OTHERWISE ARE RESERVED BY SOUTHCO, INC.

ALL DIMENSIONS ARE IN INCHES.  
 ALL DIMENSIONS WITHOUT TOLERANCES ARE FOR REFERENCE ONLY.  
 THIRD ANGLE PROJECTION

DRAWING NUMBER  
 J-R2-0267