

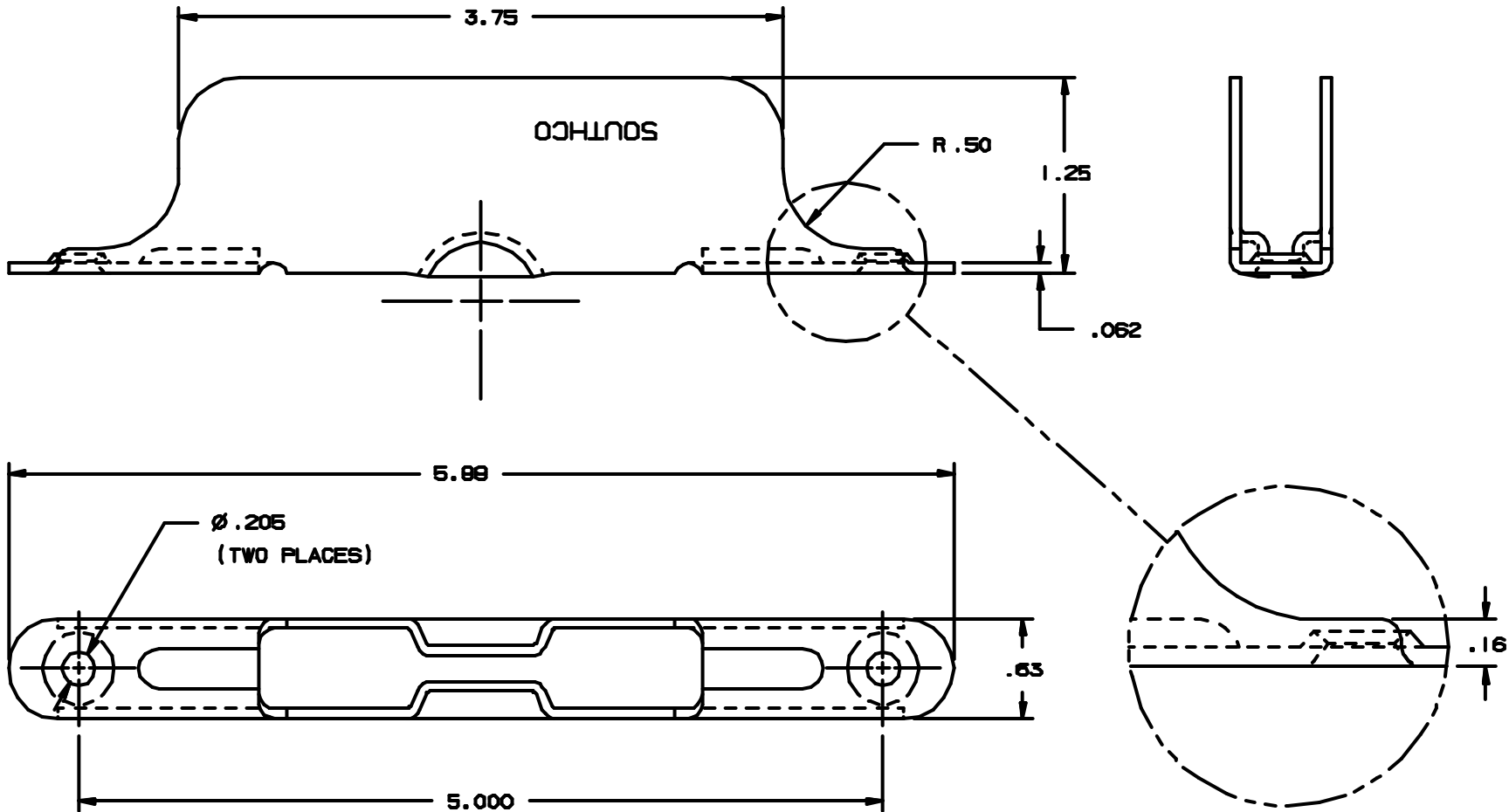


RECEPTACLE, FRONT MOUNT  
#1 ROTO LOCK

DATE	DRAWN	CHKD	SCALE	DRAWING NUMBER
10SEP92	JJF		1 : 1	J-R2-0268

REV.	DATE	BY-CHKD	REVISIONS	NUMBER	MATERIAL	FINISH
				R2-0268-02	SEE NOTE "A"	SEE NOTE "A"

NOTE "A":  
MATERIAL: CARBON STEEL.  
FINISH: ZINC PLATE, BRIGHT CHROMATE DIP.



FORMATA 1 MAR 94

PROPRIETARY ITEM - EXCEPT FOR USES EXPRESSLY GRANTED IN WRITING  
INFORMATION DISCLOSED HEREON IS CONFIDENTIAL AND ALL RIGHTS PATENT  
AND OTHERWISE ARE RESERVED BY SOUTHCO, INC.

ALL DIMENSIONS ARE IN INCHES  
ALL DIMENSIONS WITHOUT TOLERANCES ARE FOR REFERENCE ONLY.  
THIRD ANGLE PROJECTION

DRAWING NUMBER  
J-R2-0268