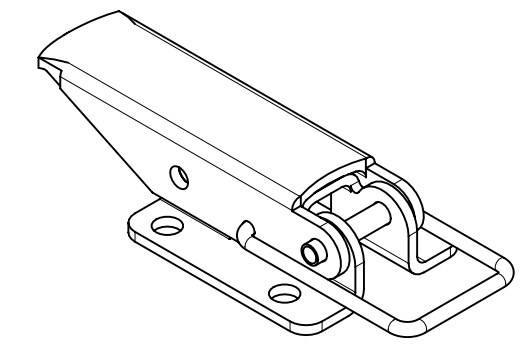
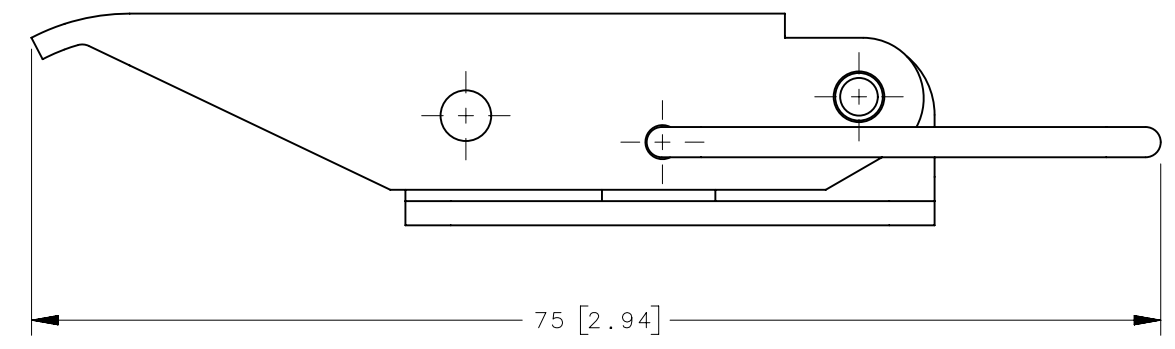
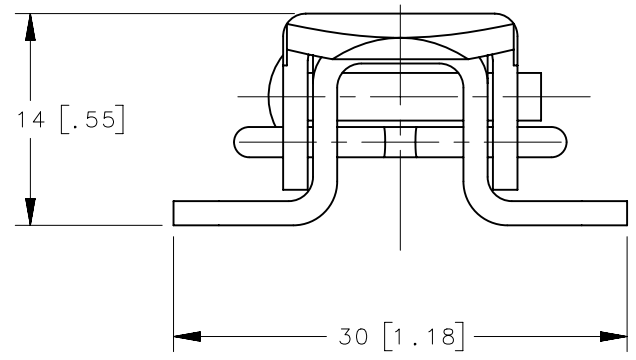
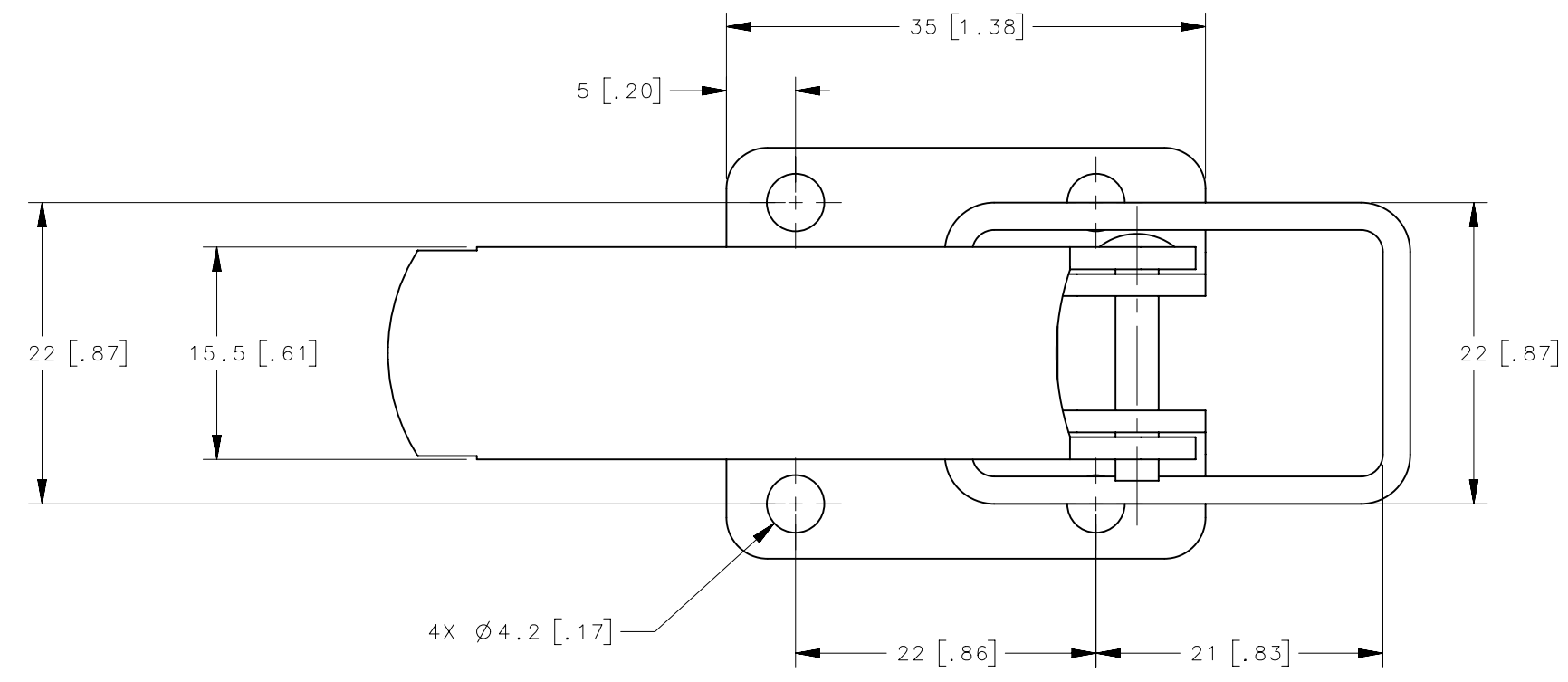


PART NO.	MATERIAL/FINISH
TL-40-101-07	CARBON STEEL / ZINC PLATE & TRIVALENT PASSIVATE
TL-40-101-10	CARBON STEEL / CHROME PLATE
TL-40-101-13	CARBON STEEL / ZINC PLATE & BLACK PASSIVATE
TL-40-101-24	STAINLESS STEEL / ELECTRO POLISHED
TL-40-101-52	STAINLESS STEEL / CLEAN

REVISION HISTORY			
REV	DATE	BY	DESCRIPTION
B	19MAY2012	DMS/YGC	PRN: P2012-0658



SCALE 1:1



TL-40-101-XX	TOGGLE LATCH ASSEMBLY	SEE TABLE	N/A	SEE TABLE
PART NUMBER	TYPR OF COMPONENT	MATERIAL	HEAT TREAT	FINISH
THIRD ANGLE PROJECTION		 CONNECT • CREATE • INNOVATE		
MILLIMETERS [IN]				
TOLERANCES UNLESS OTHERWISE NOTED		DESCRIPTION TOGGLE LATCH ASSEMBLY		
ALL DIMENSIONS WITHOUT TOLERANCES ARE FOR REFERENCE ONLY.		SIZE A3	SYSTEM NX	DWG NO. J-TL-40-101-XX
PER ASME Y14.5M-1994		DRAWN BY MW	DATE 16MAY2007	SCALE 2:1 SHEET 1 OF 1

PROPRIETARY ITEM
EXCEPT FOR USES EXPRESSLY GRANTED IN WRITING, INFORMATION DISCLOSED HEREON IS CONFIDENTIAL AND ALL RIGHTS, PATENT AND OTHERWISE, ARE RESERVED BY SOUTHCO, INC.