



# VERSA LATCH 200

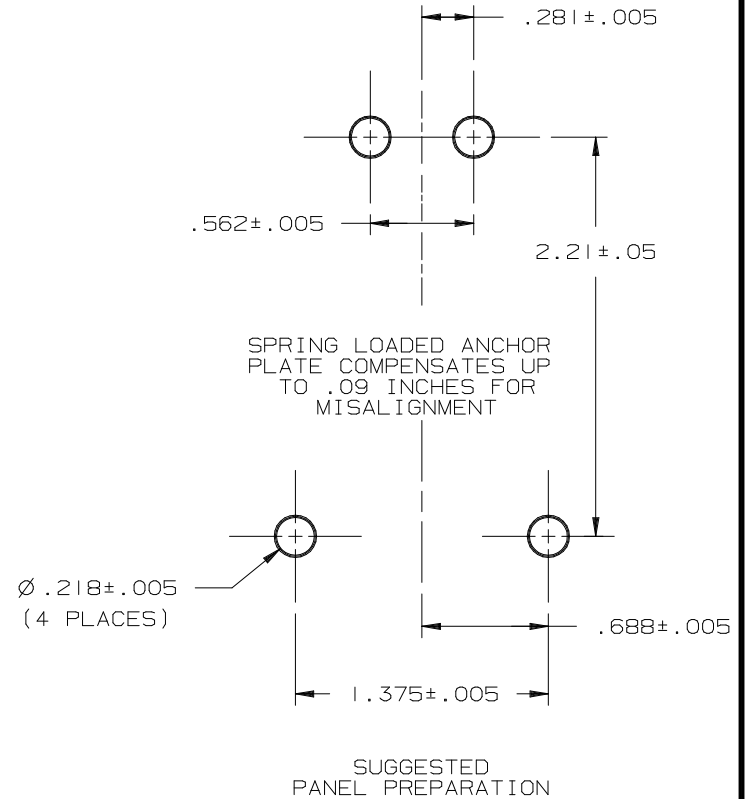
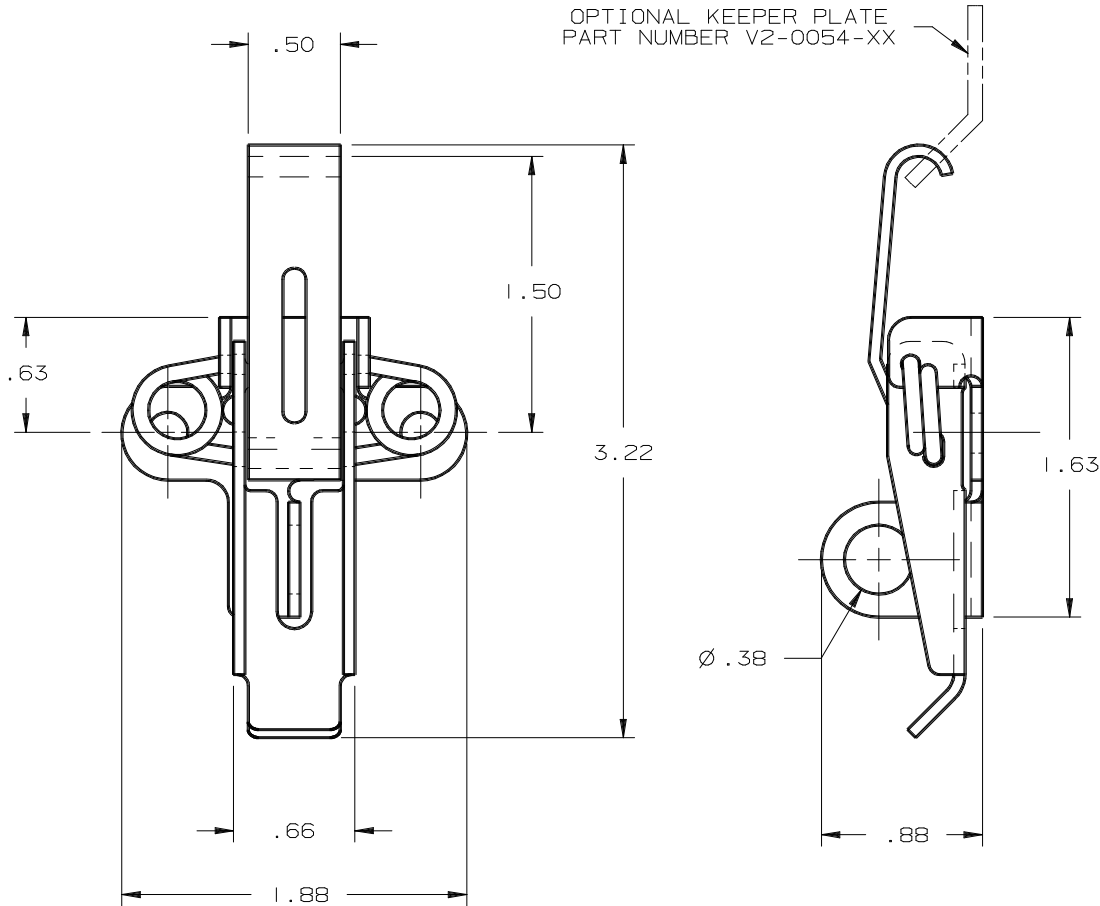
DATE	DRAWN	CHKD	SCALE	DRAWING NUMBER
20NOV95	CHW		1 : 1	J-V2-0026

REV.	DATE	BY-CHKD	REVISIONS	ASSEMBLY	MATERIAL	FINISH	ASSEMBLY	MATERIAL	FINISH
A	11MAR99	NH	PRN: V2-51	V2-0026-00	SEE NOTE A	NATURAL	V2-0026-77	STEEL	SEE NOTE D
				V2-0026-07	SEE NOTE A	SEE NOTE B			
				V2-0026-08	SEE NOTE A	SEE NOTE C			
				V2-0026-52	STAINLESS STEEL	NATURAL			
				V2-0026-66	STAINLESS STEEL	POWDER COAT, BLACK			
				V2-0026-69	SEE NOTE A	E-COAT, BLACK			

**NOTES:**

- A - MATERIAL: ANCHOR PLATE, LEVER AND BLADE ARE CARBON STEEL, SPRINGS ARE SPRING STEEL.
- B - FINISH: ZINC PLATE, BRIGHT CHROMATE DIP.
- C - FINISH: ZINC PLATE, YELLOW CHROMATE DIP.
- D - FINISH: ZINC NICKLE PLATE, YELLOW CHROMATE DIP.

OPTIONAL KEEPER PLATE  
PART NUMBER V2-0054-XX



FORMAT 1 MAR 94

PROPRIETARY ITEM - EXCEPT FOR USES EXPRESSLY GRANTED IN WRITING  
INFORMATION DISCLOSED HEREON IS CONFIDENTIAL AND ALL RIGHTS PATENT  
AND OTHERWISE ARE RESERVED BY SOUTHCO, INC.

DIMENSIONS  
ARE IN  
INCHES

DIMENSIOIS WITHOUT TOLERANCES  
ARE FOR REFERENCE ONLY

DRAWING NUMBER  
J-V2-0026