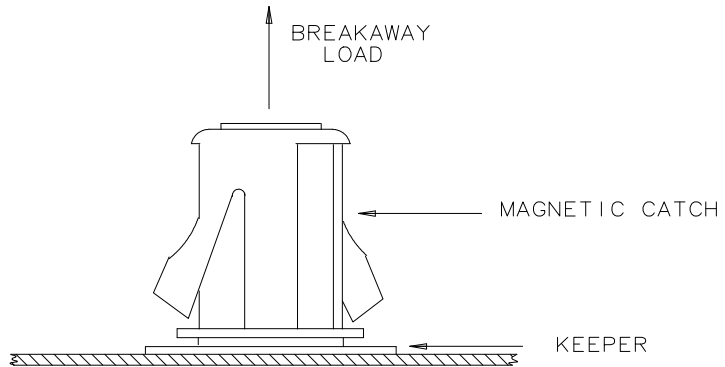


southco®	REV	C	DATE	09APR2002	DRAWN/CHKD	GDM	DESCRIPTION UPDATE FORMAT	No. 02 MAGNETIC CATCH - 600 SERIES	DATE	17SEP73	DRAWN	CHKD	SCALE	DRAWING NUMBER	TD-02-6-J	THIRD ANGLE PROJECTION	A PAPER SIZE

General Performance Guidelines

The information shown on this page was determined under one set of test conditions and is supplied as a general guide only, as conditions vary with each application. Strength data is given for failure of the product or for sufficient deformation to make the product inoperable. No safety factor has been applied. It is recommended that the user test the product for his particular application.

No. 02 MAGNETIC CATCH - 600 SERIES



THE FOLLOWING TEST DATA APPLIES TO THE 02-20-61X-X0 MAGNETIC CATCHES AND THE 02-14-301-14 KEEPER.

AVERAGE BREAKAWAY LOAD - 57.8 N (13 LBS)  
STANDARD DEVIATION OF DATA - 6.7 N (1.5 LBS)  
±STANDARD DEVIATION RANGE - 37.8 N (8.5 LBS) TO 77.8 N (17.5 LBS)

NOTE : HOLDING FORCE OF THE MAGNETIC CATCH IS RELATED TO THE SURFACE OF THE KEEPER AND THE MATERIAL. THE OPTIMUM KEEPER SURFACE FOR HOLDING POWER IS PLAIN STEEL, FLAT AND PERPENDICULAR TO THE POLE PIECES OF THE MAGNET. THE HOLDING FORCE OF THE ASSEMBLY (CATCH AND KEEPER) DECREASES FROM THE OPTIMUM WHEN :

- A) THE KEEPER SURFACE IS PAINTED OR PLATED. THE THICKER THE FINISH, THE LESS THE HOLDING POWER.
- B) ANY ANGULARITY OF THE LATCH TO THE KEEPER.
- C) LACK OF FLATNESS EXISTS ON THE KEEPER SURFACE.