



# No. 64 SMALL PADDLE LATCH WITH METAL SLIDE

DATE	DRAWN	CHKD	SCALE	DRAWING NUMBER
29SEP92	MPF		1:1	J-64-11

REV.	DATE	BY-CHKD	REVISIONS	PART NUMBER	GRIP RANGE		" A "		" B "
					MIN.	MAX.	MIN.	MAX.	
A	07DEC94	JSS	PRN:64-187 (SEE REC DWG)						
B	02FEB95	JSS	PRN:64-187A	64-11-10	1.2	2	10.4	12.7	11.5
				64-11-20	2	2.8	11.2	13.5	11.9
				64-11-30	2.8	3.6	11.9	14.2	12

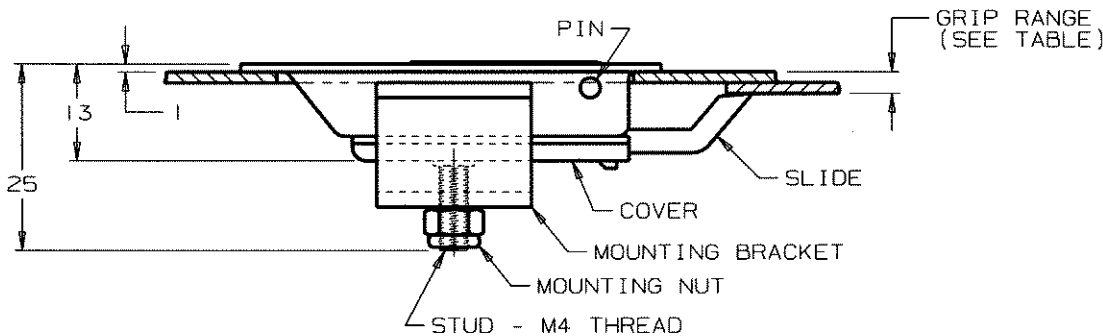
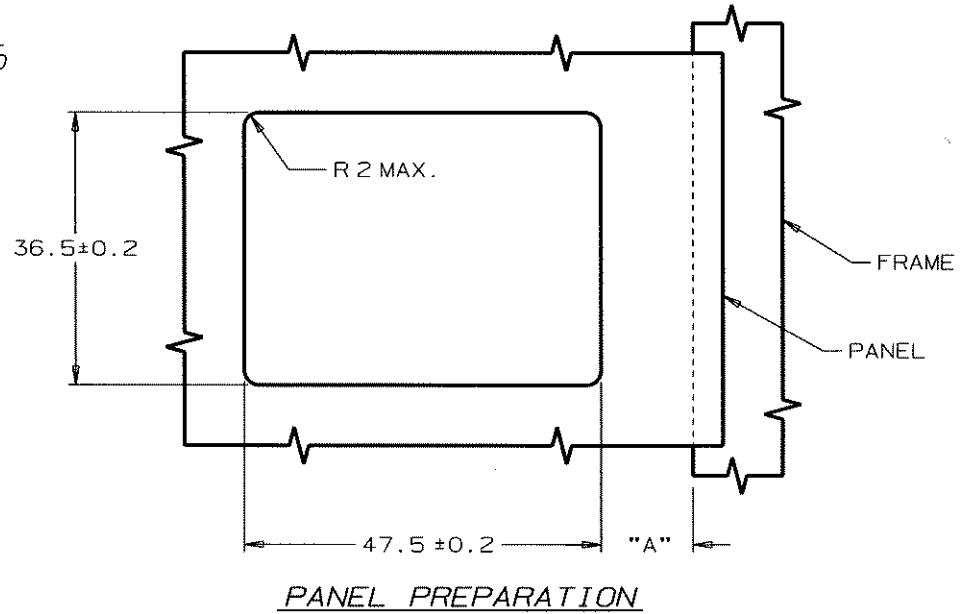
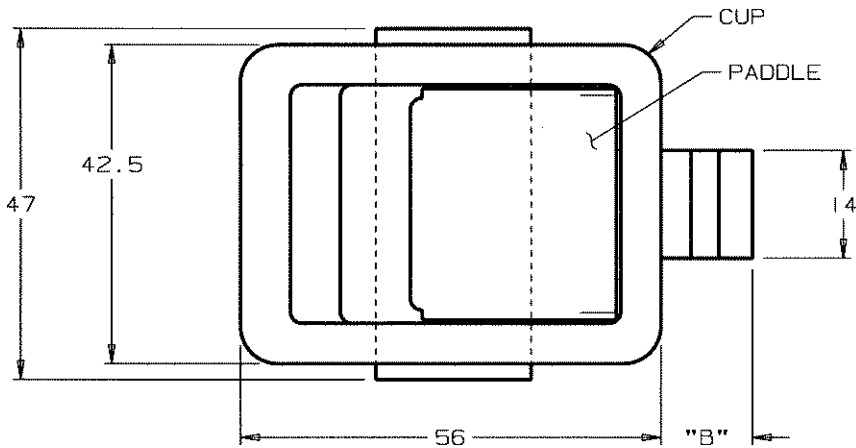
FOR AN ASSEMBLY WITH A BLACK POLYESTER POWDER COATED CUP, PADDLE AND COVER; CHANGE THE LAST DIGIT OF THE PART NUMBER TO "2". EXAMPLE: 64-11-12

LATCH, MOUNTING BRACKET AND NUT ARE SHIPPED SEPARATELY, BULK.

AN OPTIONAL METHOD OF PACKAGING IS ONE ASSEMBLY (LATCH, MOUNTING BRACKET AND NUT) PER BAG. IF THIS METHOD IS PREFERRED, ADD "-2" TO THE END OF THE PART NUMBER. EXAMPLE: 64-11-10-2

### INSTALLATION INSTRUCTIONS

PREPARE A RECTANGULAR HOLE IN PANEL, AS SHOWN. INSERT LATCH AND PLACE MOUNTING BRACKET OVER STUD. SECURE BRACKET WITH THE MOUNTING NUT.



### MATERIAL AND FINISH

CUP, PADDLE AND COVER: 304 STAINLESS STEEL, PASSIVATED PLUS SATIN BRUSHED FINISH.  
 SLIDE: 1010 STEEL, CHROME PLATED.  
 PIN: 302 STAINLESS STEEL, PASSIVATED.  
 SPRINGS: 302 STAINLESS STEEL, PASSIVATED.  
 STUD: 304 STAINLESS STEEL, PASSIVATED.  
 MOUNTING BRACKET: 302 STAINLESS STEEL, PASSIVATED.  
 MOUNTING NUT: 304 STAINLESS STEEL, PASSIVATED WITH A NYLON INSERT.

FORMAT A 1 MAR 94

PROPRIETARY ITEM - EXCEPT FOR USES EXPRESSLY GRANTED IN WRITING INFORMATION DISCLOSED HEREON IS CONFIDENTIAL AND ALL RIGHTS PATENT AND OTHERWISE ARE RESERVED BY SOUTHCO, INC.

ALL DIMENSIONS ARE IN MILLIMETERS.  
 ALL DIMENSIONS WITHOUT TOLERANCES ARE REFERENCE.  
 THIRD ANGLE PROJECTION DRAWING.

DRAWING NUMBER  
 J-64-11