



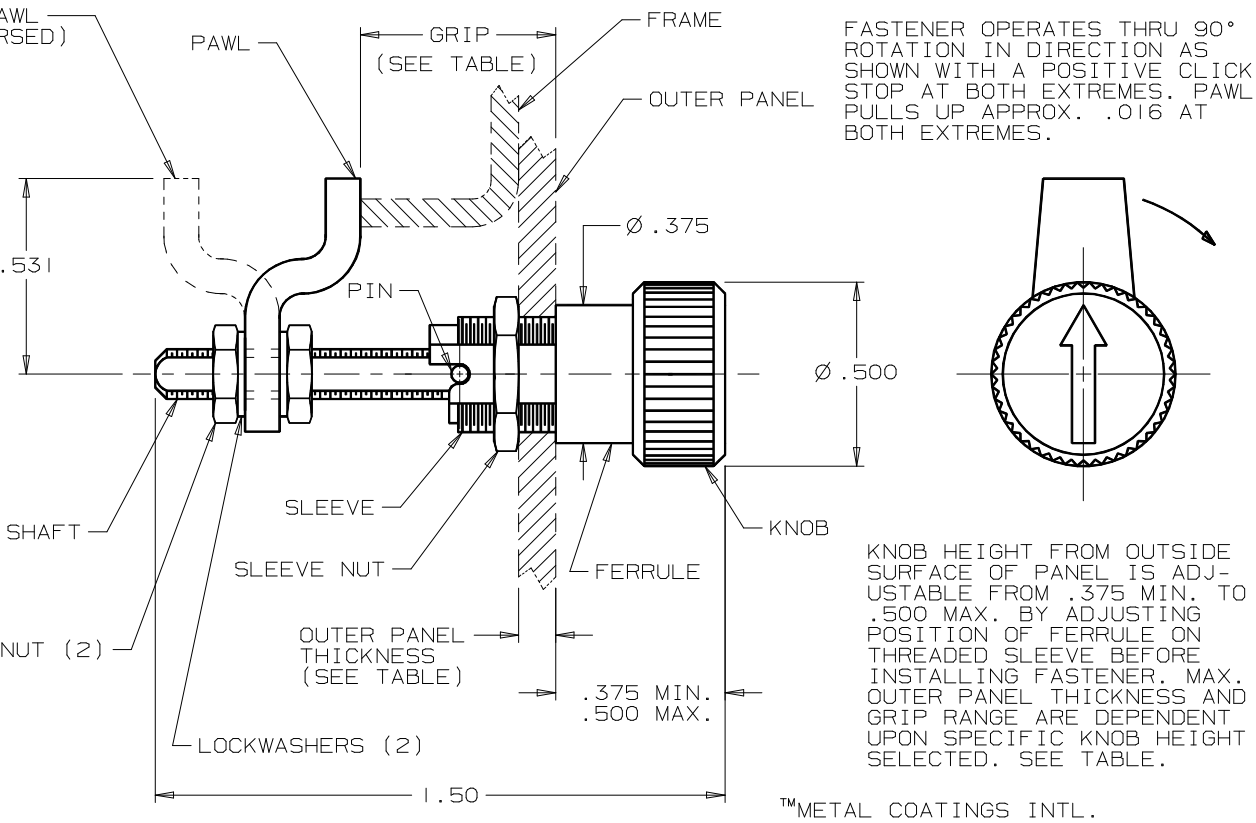
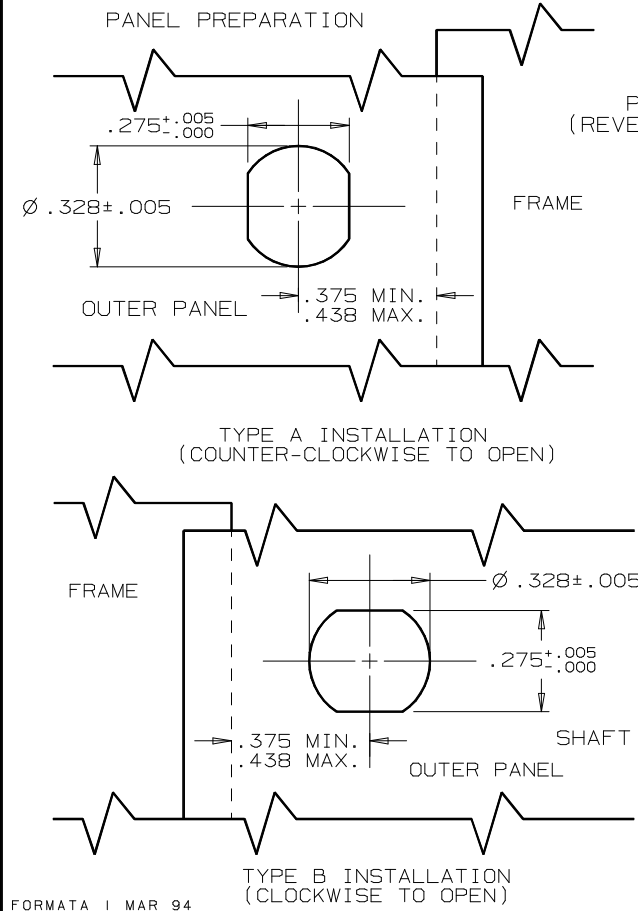
SOUTHCO No. 69 ARROWHEAD FASTENER ASSEMBLY

DATE	DRAWN	CHKD	SCALE	DRAWING NUMBER
13JUN73	RHB		2:1	J-69-10-301-11

REV.	DATE	BY-CHKD	REVISIONS				ITEM	PART NUMBER	MATERIAL	FINISH
E	05MAR93	VTB	PRN: S-1-03				ASSEMBLY	69-10-301-11	-	-
						KNOB	-	THERMOPLASTIC	BLACK	
						SHAFT	-	STEEL	DACROSEALED™	
						WASHER*	-	STAINLESS STEEL	PASSIVATE	
						SPRING*	-	STAINLESS STEEL	PASSIVATE	
						SLEEVE	-	ZINC	NATURAL WITH CHEMICAL PROTECTIVE FILM	
						GROOVE PIN	-	STAINLESS STEEL	NATURAL	
						FERRULE	-	ALUMINUM	NATURAL	
						SLEEVE NUT	-	STAINLESS STEEL	PASSIVATE	
						SHAFT NUT (2)	-	STEEL	ZINC PLATE PER QQ-Z-325 TY. II CL. 3 PLUS CHROMATE DIP - YELLOW	
						PAWL	-	STEEL	DACROTIZED™	
						LOCKWASHERS (2)	-	STAINLESS STEEL	PASSIVATE	

KNOB HEIGHT	MAX. OUTER PANEL	GRIP RANGE			
		PAWL AS SHOWN		PAWL REVERSED	
		MIN.	MAX.	MIN.	MAX.
.500 MAX.	.063	.156	.531	.594	.969
.375 MIN.	.188	.281	.719	.719	1.109

\* WASHER AND SPRING ARE INTERNAL COMPONENTS, NOT SHOWN.



FORMATA 1 MAR 94

™METAL COATINGS INTL.

PROPRIETARY ITEM - EXCEPT FOR USES EXPRESSLY GRANTED IN WRITING INFORMATION DISCLOSED HEREON IS CONFIDENTIAL AND ALL RIGHTS PATENT AND OTHERWISE ARE RESERVED BY SOUTHCO, INC.

DIMENSIONS IN INCHES  
THIRD ANGLE PROJECTION

TOLERANCE UNLESS OTHERWISE NOTED  
THREE PLACE (.XXX)  
TWO PLACE (.XX)  
ANGLES (DEG. ;)

DRAWING NUMBER
J-69-10-301-11