

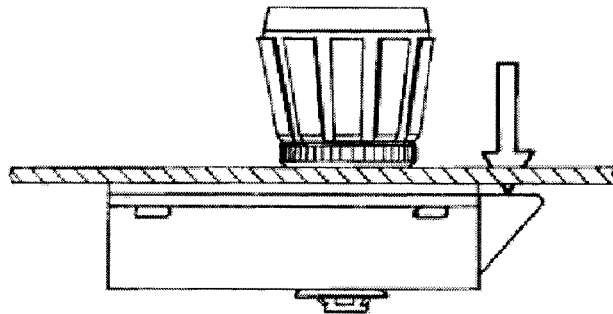
General Performance Guidelines

The information shown on this page was determined under one set of test conditions and is supplied as a general guide only, as conditions vary with each application. Strength data given is for failure of the product or for sufficient deformation to make the product inoperable. No safety factor has been applied. It is recommended that the user test the product for his particular application.

DRAWING NUMBER	TD - AG-1-J	DATE	4-11-76	DRAWN	TJH	CHECKED		SCALE	

DRAWING NUMBER TD-AG-1-J

NR AG SLAM LATCH



FASTENER YIELDED WHEN A LOAD, AS INDICATED BELOW, WAS APPLIED IN DIRECTION OF ARROW.

ASSEMBLY AGE	LOAD
AG-40-X12-10	75 lbs.
AG-40-X14-10	175 lbs.

NR AG SLAM LATCH

southco

PROPRIETARY ITEM—EXCEPT FOR USES EXPRESSLY GRANTED IN WRITING, IN-
 FORMATION DISCLOSED HEREON IS CONFIDENTIAL AND ALL RIGHTS, PATENT AND
 COPYRIGHT, ARE RESERVED BY SOUTHCO, INC.