

PART NUMBER
09-44-101-11

MATERIAL and FINISH
CASE HARDENED STEEL,
ZINC PLATE, CHROMATE
PLUS SEALER

Figure 1

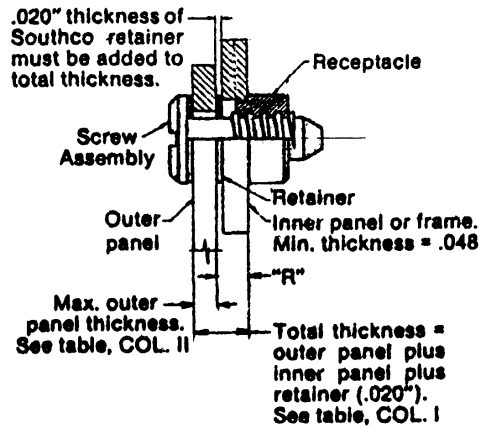
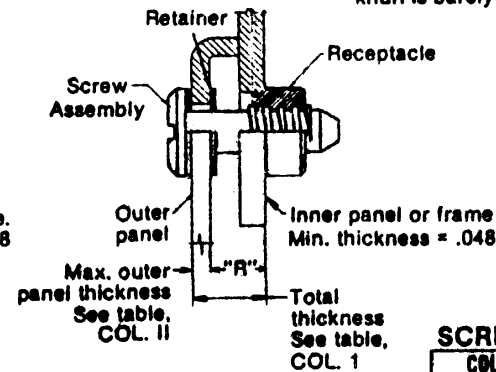
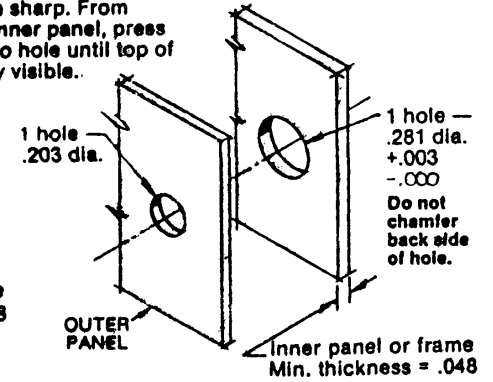


Figure 2



Panel preparation and installation. Prepare holes in outer and inner panels as shown. Edge of hole on back side of inner panel must be sharp. From back side of inner panel, press receptacle into hole until top of knurl is barely visible..



SCREW ASSEMBLY SELECTION TABLE

| TOTAL THICKNESS | COL. I | | COL. II | COL. III | SCREW ASS'Y PART NUMBERS |
|-----------------|--------|------|----------------------------|-------------------------------------|--------------------------|
| | MIN. | MAX. | MAX. OUTER PANEL THICKNESS | "R" MIN. FOR FULL SCREW RETRACTION | |
| .048* | .187 | .312 | .050 | THESE SCREWS WILL NOT RETRACT FULLY | 09-XX-102-XX |
| | .437 | | | | 09-XX-202-XX |
| | .562 | | | | 09-XX-302-XX |
| | | | | | 09-XX-402-XX |
| .054 | .187 | .312 | .100 | .135 | 09-XX-103-XX |
| | .437 | | | .260 | 09-XX-203-XX |
| | .562 | | | .385 | 09-XX-303-XX |
| | | | | .510 | 09-XX-403-XX |
| .104 | .312 | .437 | .150 | .210 | 09-XX-204-XX |
| | .437 | | | .335 | 09-XX-304-XX |
| | .562 | | | .460 | 09-XX-404-XX |
| .154 | .312 | .437 | .200 | .160 | 09-XX-205-XX |
| | .437 | | | .285 | 09-XX-305-XX |
| | .562 | | | .410 | 09-XX-405-XX |
| .254 | .437 | .562 | .300 | .185 | 09-XX-307-XX |
| | | | | .310 | 09-XX-407-XX |
| .354 | .562 | | .400 | .210 | 09-XX-409-XX |

*.048 is the MINIMUM INNER PANEL THICKNESS for installation of receptacle

TO SELECT THE SCREW ASSEMBLY BEST SUITED TO YOUR NEEDS.

- 1—Measure your total thickness (or range of total thicknesses if same length screw is to be used in several applications). Total thickness is the measured distance between the OUTER surface of the OUTER panel and the INNER surface of the INNER panel including space created by the screw retainer (.020") — figure 1, or by flanges or gaskets — figure 2.
- 2—Select from COL. I of table, that range of total thickness that most closely brackets your grip requirement.
- 3—Check COL. II to make sure that your outer panel thickness does not exceed the maximum listed.
- 4—If full screw retraction is required, check COL. III. If your measured dimension "R" (see either fig. 1 or fig. 2) is equal to or greater than the value listed, the screw will fully retract from the receptacle without lifting the door or panel.

REV. E 30DEC99 VNI PRN: 09-114
REV. D 06DEC96 JAC PRN: S-1-06A
REV. C 03FEB93 MPF PRN: S-99-1 D
REV. B 28-12-85 PRN: 09-27
REV. A 9/2/82 SJM UPDATED & REVISED.

PROPRIETARY ITEM - EXCEPT FOR USES EXPRESSLY GRANTED IN WRITING,
INFORMATION DISCLOSED HEREON IS CONFIDENTIAL AND ALL RIGHTS,
PATENT AND OTHERWISE, ARE RESERVED BY SOUTHCO, INC.

DRAWING NUMBER
J-09-44-101-11