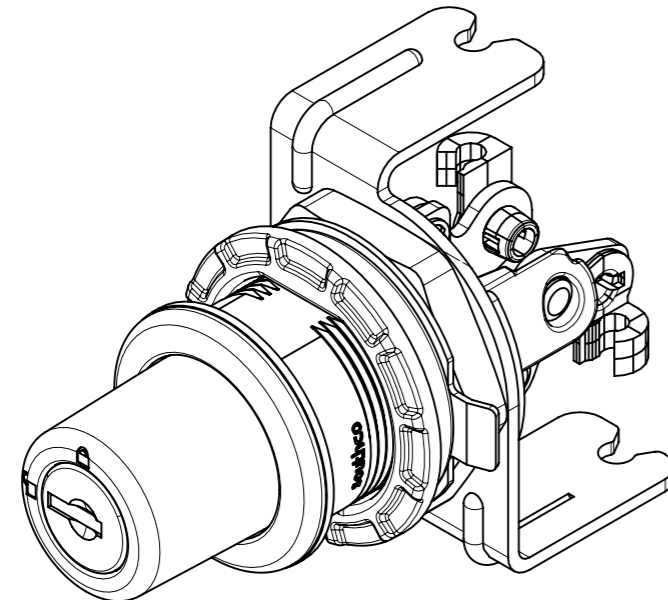


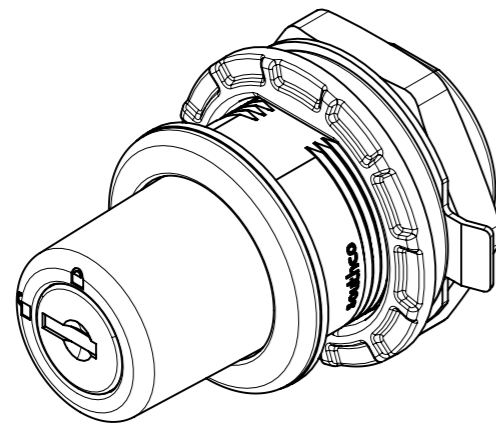
REVISION HISTORY			
REV	DATE	BY	DESCRIPTION
A	30JAN2011	MZ	PRN: P2010-1347
B	05AUG2011	MZ	PRN: P2011-1016

SOUTHCO PERFORMANCE GUIDELINES

THE PERFORMANCE GUIDELINES SHOWN ON THIS PAGE ARE SUPPLIED AS A GENERAL GUIDE ONLY, AS CONDITIONS VARY WITH EACH APPLICATION AND METHOD OF INSTALLATION, STRENGTH DATA GIVEN IS FOR FAILURE OF THE PRODUCT OR FOR SUFFICIENT DEFORMATION TO MAKE THE PRODUCT INOPERABLE. NO SAFETY FACTOR HAS BEEN APPLIED. IT IS RECOMMENDED THAT THE USER REQUEST A PRODUCT SAMPLE FOR TESTING TO DETERMINE THE SUITABILITY OF THE PRODUCT FOR THE PURPOSE INTENDED AND USER'S PARTICULAR APPLICATION.



AC-30-1YZ



AC-30-3YZ

AVERAGE FORCE TO ACTUATE PUSH BUTTON WITHOUT PRELOAD	AVERAGE FORCE REQUIRED TO ACTUATE (OPEN) TWO SOUTHCO R4 LATCH WITH 40N BUMPER LOAD EACH SIDE (AC-30-1YZ)			CYCLE LIFE
	R4-20	R4-30	R4-50	
25N MAX.	55N	55N	75N	75,000

1. ACTUATION FORCE TEST AND CYCLE TEST WERE PERFORMED WITH PART NUMBER AC-30-121-31 AND AC-30-321-31
2. AVERAGE ULTIMATE LOAD TO MEET HUMAN FACTOR ENGINEERING (MIL-STD-1472F)
3. CYCLE TEST WERE PERFORMED WITH SOUTHCO R4-30 LATCH BUMPER LOAD 40N
4. NEMA4/IP54 SEALING IS ACHIEVED BY USING GASKET SUPPLIED
5. UV RESISTANT: 400 HRS PER UVA340 AT 63°
6. CONSULT SOUTHCO FOR OTHER TECHNICAL DETAILS
7. SALT SPRAY TEST: 500 HRS NO RED RUST ON EXPOSURE SIDE, NO FUNCTION FAILURE

NOTE :

SOUTHCO ACTUATOR USED IN A PASSENGER RESTRAINT SYSTEM MUST BE FULLY TESTED IN THE DOOR SYSTEM

trAC-5671/trAC-7313

THIRD ANGLE PROJECTION		<b>southco</b> <sup>®</sup> CONNECT • CREATE • INNOVATE	
MILLIMETERS [IN]			
TOLERANCES UNLESS OTHERWISE NOTED		DESCRIPTION STAINLESS STEEL AC-30	
SURFACE AREA XXXXXmm <sup>2</sup>	UP TO 0.5 ±0.05	SIZE A3	SYSTEM NX
VOLUME XXXXXmm <sup>3</sup>	OVER 0.5 UP TO 6 ±0.1	DWG NO. TD-AC-30-1-J	
PROPRIETARY ITEM	OVER 6 UP TO 30 ±0.2	DRAWN BY MZ	DATE 16DEC2010
EXCEPT FOR USES EXPRESSLY GRANTED IN WRITING, INFORMATION DISCLOSED HEREON IS CONFIDENTIAL AND ALL RIGHTS, PATENT AND OTHERWISE, ARE RESERVED BY SOUTHCO, INC.	OVER 30 ±0.3	SCALE 1:1	SHEET 1 OF 1
	ANGLES ±1°	PER ASME Y14.5M-1994	