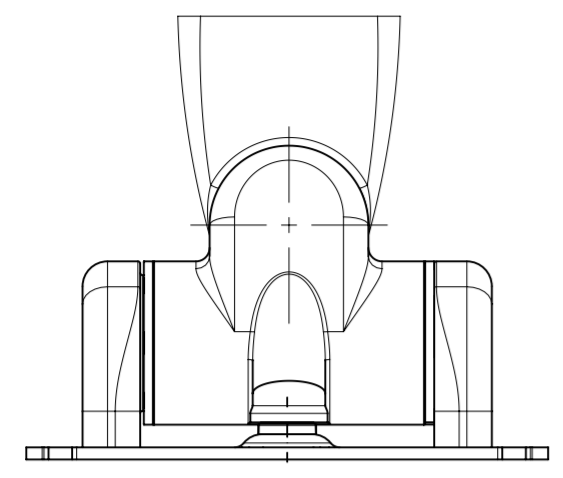
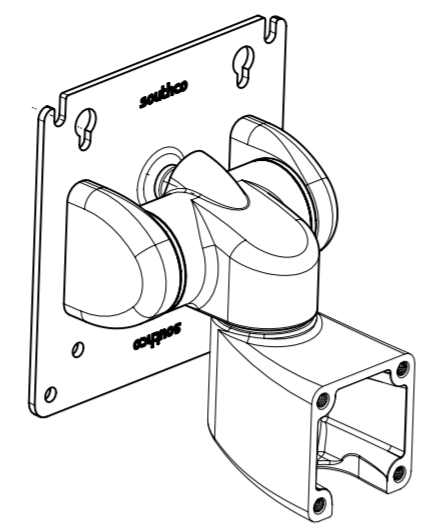


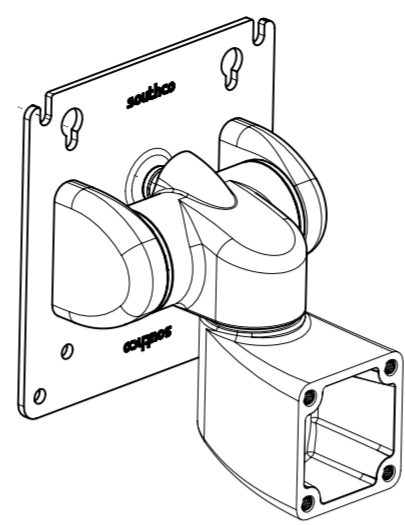
REVISION HISTORY			
REV	DATE	BY	DESCRIPTION
D	27MAR2020	ZAA/MMM	PRN: P2019-3126



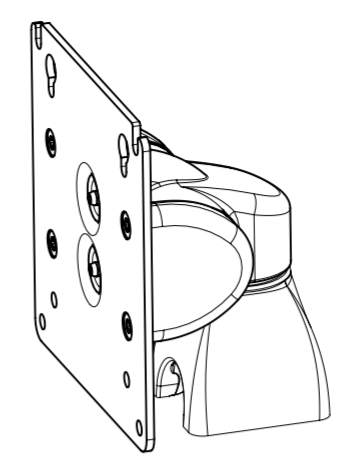
DISPLAY SWIVEL ±95°



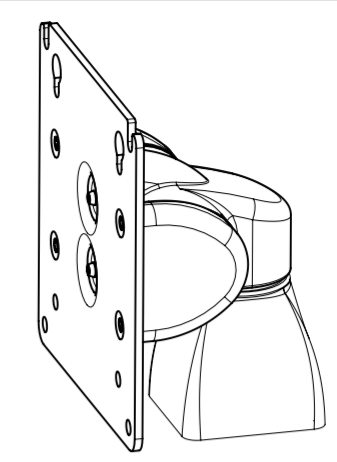
VERTICAL MOUNT
(WITH WIRE NOTCH)



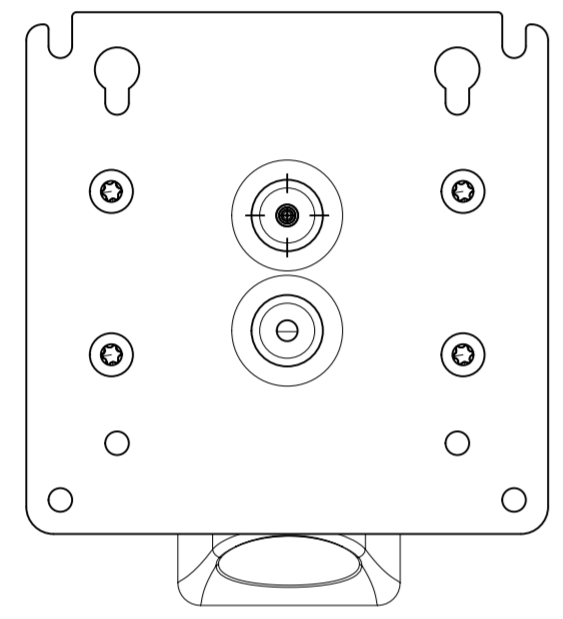
VERTICAL MOUNT
(WITHOUT WIRE NOTCH)



HORIZONTAL MOUNT
(WITH WIRE NOTCH)



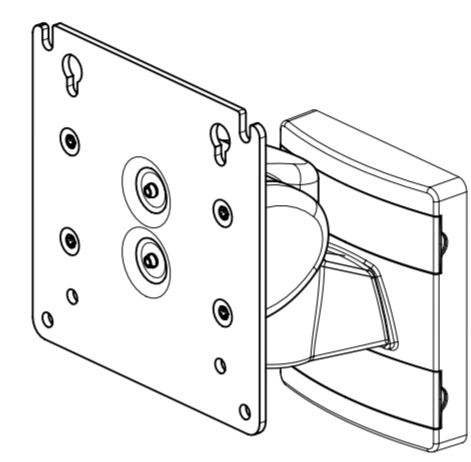
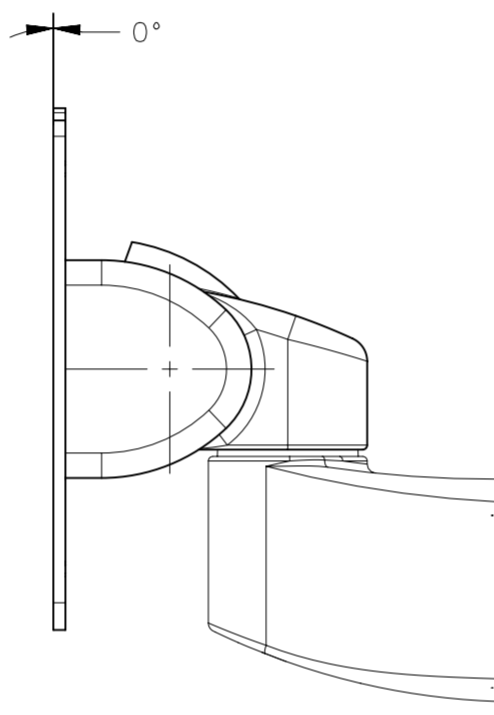
HORIZONTAL MOUNT
(WITHOUT WIRE NOTCH)



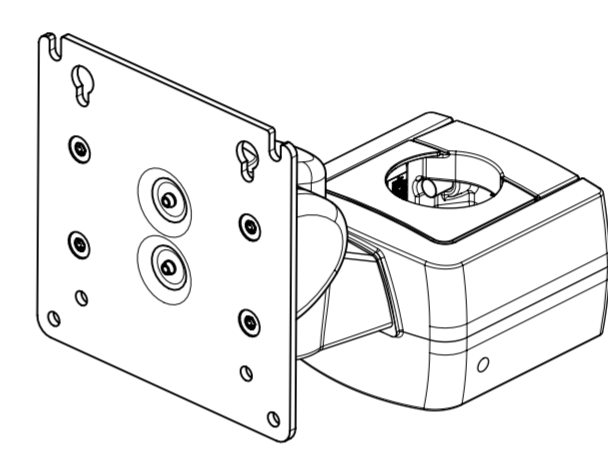
FORWARD (-)

TILT ±20°

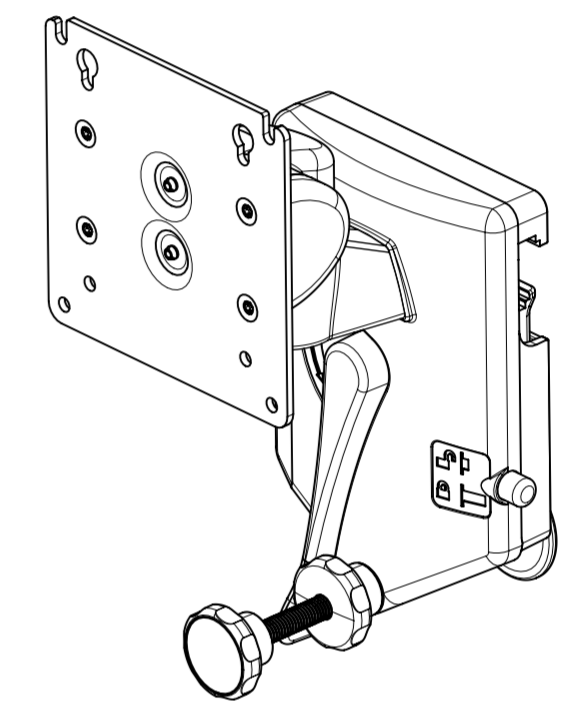
REVERSE (+)



FRONT MOUNT



POLE MOUNT



DIN RAIL MOUNT

SOUTHCO PERFORMANCE GUIDELINES:

THE PERFORMANCE GUIDELINES SHOWN ON THIS PAGE ARE SUPPLIED AS A GENERAL GUIDE ONLY, AS CONDITIONS VARY WITH EACH APPLICATION AND METHOD OF INSTALLATION. STRENGTH DATA GIVEN IS FOR FAILURE OF PRODUCT OR FOR SUFFICIENT DEFORMATION TO MAKE THE PRODUCT INOPERABLE. NO SAFETY FACTOR HAS BEEN APPLIED. IT IS RECOMMENDED THAT THE USER REQUEST A PRODUCT SAMPLE FOR TESTING TO DETERMINE THE SUITABILITY OF THE PRODUCT FOR THE PURPOSE INTENDED AND USER'S PARTICULAR APPLICATION.

NOTES:

- TEST DATA FROM THE FOLLOWING SOUTHCO TEST REPORTS:
 <1> TRAV-9190
 <2> TRAV-18175
 <3> TRAV-38367
 <4> TRAV-39382
 *ENGINEERING DERIVED VALUE FROM SUPPORTING TEST DOCUMENTS.
- CYCLE AND LOAD TESTS WERE CONDUCTED WITH WALL (VERTICAL PLANE) MOUNT VERSIONS. ULTIMATE LOAD TEST WAS CONDUCTED WITH THE DISPLAY PARALLEL TO THE MOUNTING PLANE AT THE LARGEST LINEAR DISTANCE.
- DISPLAY MOUNTING SYSTEM CYCLE TEST AS INDIVIDUAL MOTIONS AS FOLLOWS:
 DISPLAY TILT FORWARD 20° AND REVERSE 20°.
 DISPLAY SWIVEL ±90° FROM POSITION SHOWN.

 CYCLE TESTING CONDUCTED WITH A 9.98 1kg (22 lbm) TEST DISPLAY PANEL ATTACHED FOR THE CYCLE TEST.
- TILT TORQUE SPECIFICATION AT A CYCLE LIFE OF 20,000 CYCLES AT 25% DUTY CYCLE AT SPEEDS LESS THAN 15 RPM.

 NOTE: TILT FORWARD AND TILT REVERSE TORQUE MEASURED WITH THE DISPLAY IN THE VERTICAL (0°) POSITION. THE TILT TORQUE IN THE FORWARD AND REVERSE DIRECTION VARIES WITH THE COUNTERBALANCE, (WHEN EQUIPPED).
- PART NUMBERS: YY = 50, 60, 61, 76, 77 OR 78

MOUNT STYLE	PART NUMBERS (SEE NOTES)	DISPLAY TILT REVERSE TORQUE <1,2> N*m (lbf*in) ±20%	DISPLAY TILT FORWARD TORQUE <1,2> N*m (lbf*in) REFERENCE	SWIVEL TORQUE N*m (lbf*in) <2>	WORKING LOAD RATING PER UL 1678 N (lbm) <2>	AVERAGE ULTIMATE LOAD N (lbm) <2, 3*, 4*>	SWIVEL STOP ULTIMATE TORQUE <2> N*m (lbf*in)	CYCLE LIFE <1,2>
VERTICAL WITHOUT WIRE NOTCH	AV-D32-10K101-YY	7.9 (70)	2.2 (19.5)	4.29 N*m (38 lbf*in) NOMINAL / 2.71 N*m (24 lbf*in) MINIMUM	70 (15.7)	1846 (415)	11.3 (100)	20,000
	AV-D32-10K102-YY	15.36 (136)	2.26 (20)		100 (22.5)			
	AV-D32-10K103-YY	8.58 (76)	6.01 (53.2)		70 (15.7)			
VERTICAL WITH WIRE NOTCH	AV-D32-10K111-YY	7.9 (70)	2.2 (19.5)		70 (15.7)			
	AV-D32-10K112-YY	15.36 (136)	2.26 (20)		100 (22.5)			
	AV-D32-10K113-YY	8.58 (76)	6.01 (53.2)		70 (15.7)			
HORIZONTAL WITHOUT WIRE NOTCH	AV-D32-10K121-YY	7.9 (70)	2.2 (19.5)		70 (15.7)			
	AV-D32-10K122-YY	15.36 (136)	2.26 (20)		100 (22.5)			
	AV-D32-10K123-YY	8.58 (76)	6.01 (53.2)		70 (15.7)			
HORIZONTAL WITHOUT WIRE NOTCH	AV-D32-10K131-YY	7.9 (70)	2.2 (19.5)		70 (15.7)			
	AV-D32-10K132-YY	15.36 (136)	2.26 (20)		100 (22.5)			
	AV-D32-10K133-YY	8.58 (76)	6.01 (53.2)		70 (15.7)			
FRONT MOUNT	AV-D32-10K141-YY	7.9 (70)	2.2 (19.5)		70 (15.7)			
	AV-D32-10K142-YY	15.36 (136)	2.26 (20)		100 (22.5)			
	AV-D32-10K143-YY	8.58 (76)	6.01 (53.2)		70 (15.7)			
POLE MOUNT	AV-D32-10K161-YY	7.9 (70)	2.2 (19.5)	70 (15.7)				
	AV-D32-10K162-YY	15.36 (136)	2.26 (20)	100 (22.5)				
	AV-D32-10K163-YY	8.58 (76)	6.01 (53.2)	70 (15.7)				
RAIL MOUNT	AV-D32-10K171-YY	7.9 (70)	2.2 (19.5)	70 (15.7)				
	AV-D32-10K172-YY	15.36 (136)	2.26 (20)	100 (22.5)				
	AV-D32-10K173-YY	8.58 (76)	6.01 (53.2)	70 (15.7)				

THIRD ANGLE PROJECTION		 CONNECT · CREATE · INNOVATE	
MILLIMETERS [IN]			
SURFACE AREA		TOLERANCES UNLESS OTHERWISE NOTED UP TO 0.5 ±0.05 OVER 0.5 UP TO 6 ±0.1 OVER 6 UP TO 30 ±0.2 OVER 30 ±0.3 ANGLES ±1°	
VOLUME		DESCRIPTION STANDARD TILT AND SWIVEL ASSEMBLY VERTICAL AND HORIZONTAL MOUNT	
PROPRIETARY ITEM		SIZE SYSTEM A2 NX	
EXCEPT FOR USES EXPRESSLY GRANTED IN WRITING, INFORMATION DISCLOSED HEREON IS CONFIDENTIAL AND ALL RIGHTS, PATENT AND OTHERWISE, ARE RESERVED BY SOUTHCO, INC.		DWG NO. TD-AV-D32-10K1XY-J	
PER ASME Y14.5M-1994		DRAWN BY GEA	
		DATE 03SEP2014	
		SCALE 1:1	
		SHEET 1 OF 1	