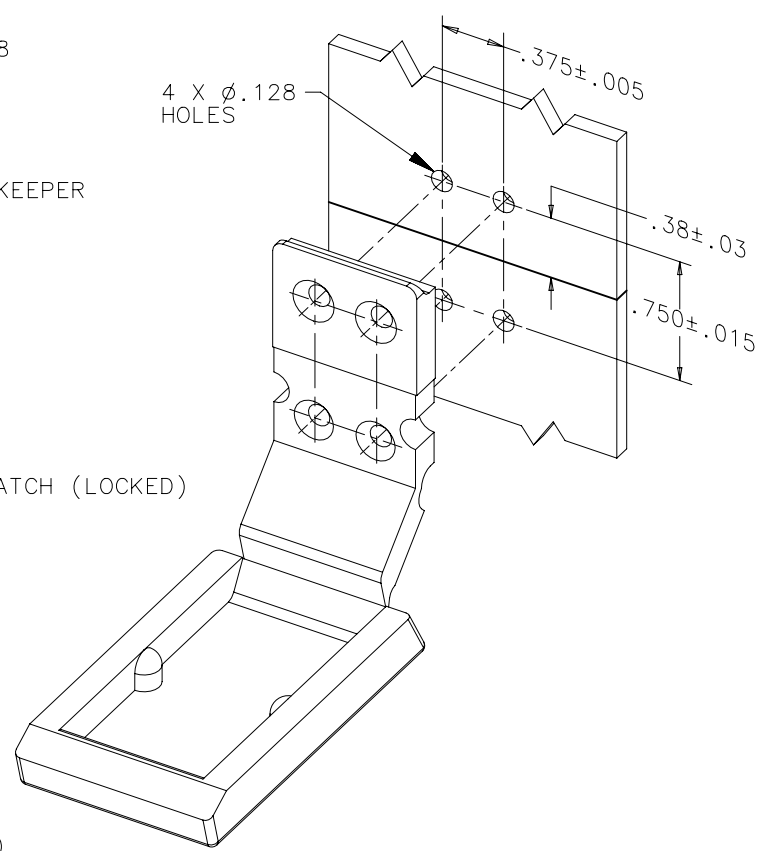
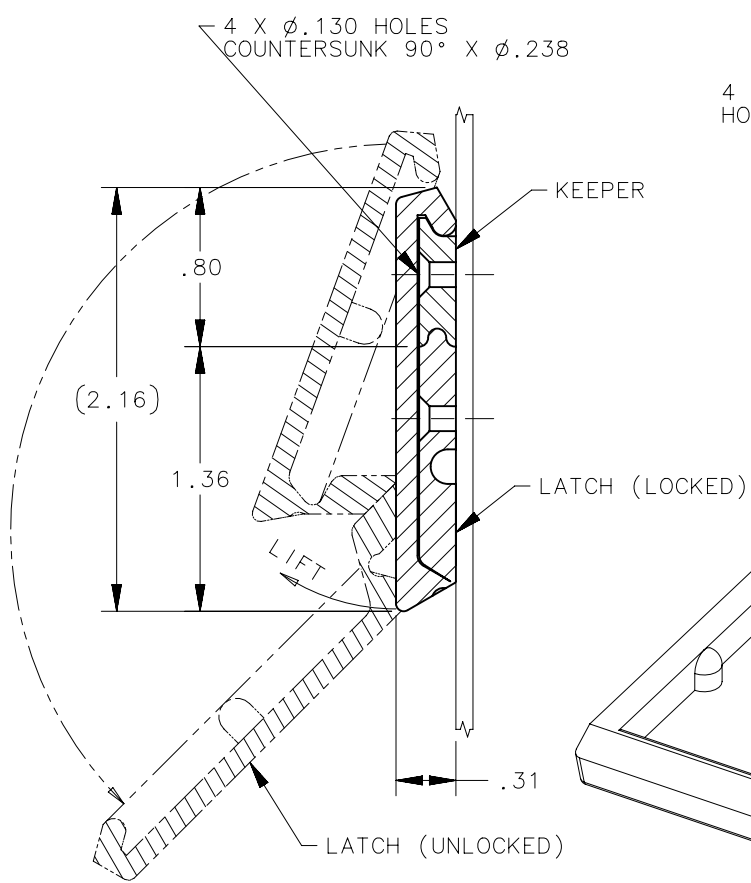
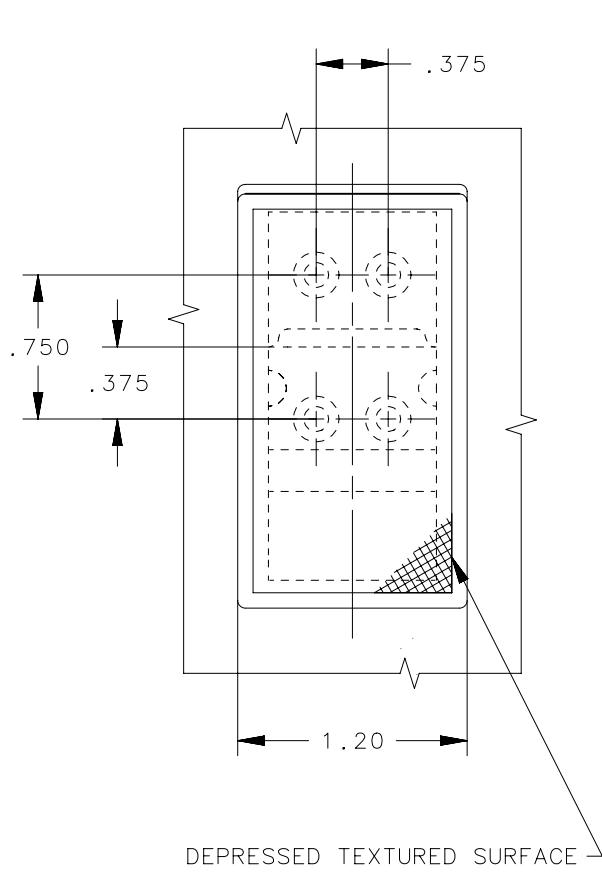


REVISION HISTORY			
REV	DATE	BY	DESCRIPTION
K	04DEC2015	DMS/YGC	PRN: P2015-2446



PANEL PREPARATION

NO.	PART NUMBER	QTY	TYPE OF COMPONENT	MATERIAL	FINISH
2	07-12-201-11	1	KEEPER	THERMOPLASTIC	WHITE
1	07-11-201-11	1	LATCH	THERMOPLASTIC	WHITE
-	07-10-201-11	1	CATCH ASSEMBLY	-	-

- NOTES:
- LATCH SHIPPED UNASSEMBLED.
 - FOR INSTALLATION USE M3 OR NO.4 SCREWS.
 - MAXIMUM INSTALLATION TORQUE: 8 in.lbs.

THIRD ANGLE PROJECTION		 CONNECT • CREATE • INNOVATE	
INCHES [MM]			
SURFACE AREA		DESCRIPTION NO. 07 PLASTIC DRAW CATCH ASSEMBLY	
VOLUME		SIZE A SYSTEM NX DWG NO. J-07-10-201-11	
PROPRIETARY ITEM <small>EXCEPT FOR USES EXPRESSLY GRANTED IN WRITING, INFORMATION DISCLOSED HEREON IS CONFIDENTIAL AND ALL RIGHTS, PATENT AND OTHERWISE, ARE RESERVED BY SOUTHCO, INC.</small>		DRAWN BY ESK DATE 10FEB1967 SCALE 1:1 SHEET 1 OF 1	
PER ASME Y14.5M-1994			