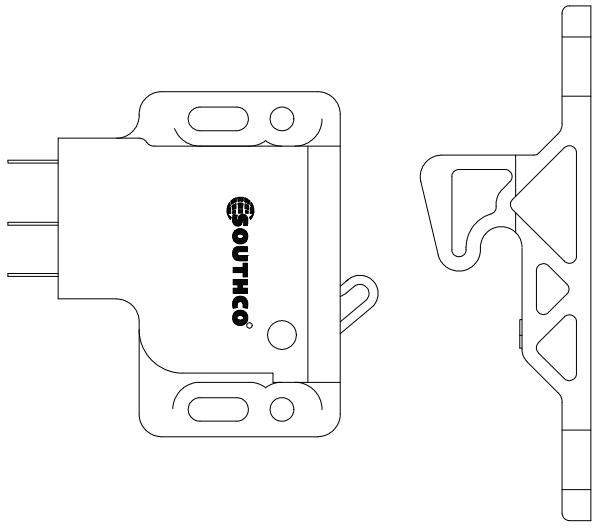


REV A	DATE 09APR2002	DRAWN/CHKD GDM	DESCRIPTION UPDATE FORMAT		C3 SCREW MOUNT GRABBER™CATCH WITH MICRO SWITCH AND HEAVY DUTY KEEPER	DATE 30NOV95	DRAWN MAC	CHKD	SCALE NTS	DRAWING NUMBER TD-C3-05-J
	A PAPER SIZE									

SOUTHCO PERFORMANCE GUIDELINES

THE PERFORMANCE GUIDELINES SHOWN ON THIS PAGE ARE SUPPLIED AS A GENERAL GUIDE ONLY, AS CONDITIONS VARY WITH EACH APPLICATION AND METHOD OF INSTALLATION. STRENGTH DATA GIVEN IS FOR FAILURE OF THE PRODUCT OR FOR SUFFICIENT DEFORMATION TO MAKE PRODUCT INOPERABLE. NO SAFETY FACTOR HAS BEEN APPLIED IT IS RECOMMENDED THAT THE USER REQUEST A PRODUCT SAMPLE FOR TESTING TO DETERMINE THE SUITABILITY OF THE PRODUCT FOR THE PURPOSE INTENDED AND USER'S PARTICULAR APPLICATION.



HOLDING FORCE - THE FORCE EXERTED BY THE CATCH ASSEMBLY TO HOLD THE DOOR CLOSED.

CLOSING FORCE - THE FORCE REQUIRED TO FULLY ENGAGE THE KEEPER IN THE CATCH ASSEMBLY.

PART NUMBER	HOLDING FORCE NEWTONS/POUNDS			CLOSING FORCE NEWTONS/POUNDS		
	\bar{x}	SIGMA	3 SIGMA RANGE	\bar{x}	SIGMA	3 SIGMA RANGE
C3-1803	$\frac{24}{5.4}$	$\frac{.89}{.2}$	$\frac{21 - 27}{4.8 - 6.0}$	$\frac{20}{4.4}$	$\frac{2.0}{.44}$	$\frac{13 - 25}{3.0 - 5.7}$
C3-1805	$\frac{31}{7.0}$	$\frac{1.2}{.26}$	$\frac{28 - 34}{6.2 - 7.7}$	$\frac{28}{6.2}$	$\frac{3.9}{.87}$	$\frac{16 - 39}{3.5 - 8.8}$
C3-1810	$\frac{55}{12.3}$	$\frac{1.7}{.39}$	$\frac{49 - 60}{11.1 - 13.4}$	$\frac{45}{10.1}$	$\frac{6.7}{1.5}$	$\frac{25 - 65}{5.7 - 14.5}$

THE TESTED CYCLE LIFE OF THE C3-18XX DOOR CATCH ASSEMBLY IS IN EXCESS OF 20,000 CYCLES.

MAXIMUM RECOMMENDED TIGHTENING TORQUE FOR CATCH MOUNTING HARDWARE IS 1.1 NEWTON METERS/ 10 INCH-POUNDS. MAXIMUM RECOMMENDED TIGHTENING TORQUE FOR KEEPER MOUNTING HARDWARE IS 2.8 NEWTON METERS/ 25 INCH-POUNDS.

SWITCHES WERE TESTED AT 40 Hz FOR 8 HOURS (1-15 g) WITH NO MALFUNCTIONS.

OPERATIONAL TEMPERATURE RANGE: -40C TO 60C.

NOT TO BE USED AS A SAFETY INTERLOCK.