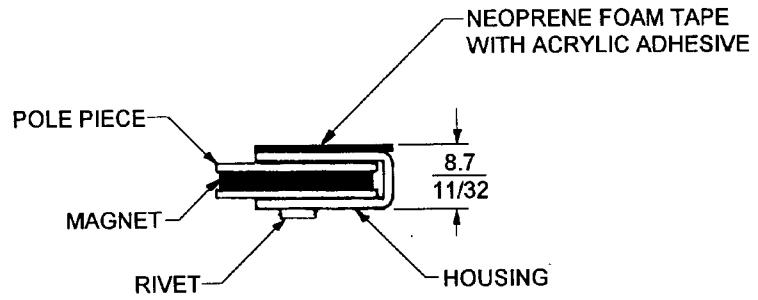




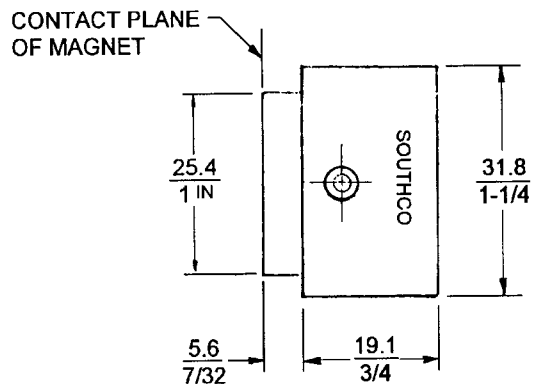
SOUTHCO NO. 02 MAGNETIC CATCH  
ADHESIVE MOUNTING

DATE	DRAWN	CHKD	SCALE	DRAWING NUMBER
10-15-75	RHB		NTS	J-02-30-121-10

REV. LET.	DATE	BY-CHKD	REVISIONS	ITEM	PART NO.	MATERIAL	FINISH	R.S.	DATE	APP
A	1-18-82	ESK	PRN: S-1-01	ASSEMBLY	02-30-121-10			A	10-15-75	RHB
B	7-29-86	SSS	PRN: 02-52	HOUSING		3003-H14 ALUMINUM	NATURAL	B		
C	8-7-90	SAD	PRN: 02-63	POLE PIECE (2 REQD)		1010 STEEL	ZINC PLATE PER QQ-Z-325 TY.1, CL.3	C		
D	5MAR93	JRR	PRN: S-1-03	MAGNET		BARIUM FERRITE	NATURAL	D	11/5/76	SJM
				RIVET		2024-H13 ALUMINUM	NATURAL			



TO INSTALL REMOVE PROTECTIVE PAPER AND  
APPLY ASSEMBLY TO A CLEAN , DRY SURFACE



NOTES: MAGNETIC CATCHES IN GENERAL AND ADHESIVE MOUNTING  
ASSEMBLIES IN PARTICULAR ARE DESIGNED TO FUNCTION  
UNDER INTERMITTENT BREAK AWAY LOADS. DO NOT  
SUBJECT ADHESIVE MOUNTING ASSEMBLIES TO A  
CONTINUOUS LOAD.

DOOR AND FRAME SHOULD HAVE A BUILT-IN STOP TO  
PREVENT EXCESSIVE LOADING OF THE ADHESIVE DUE  
TO SLAMMING OF THE DOOR.

MILLIMETER / INCH      MILLIMETER  
INCH

PROPRIETARY ITEM - EXCEPT FOR USES EXPRESSLY GRANTED IN WRITING,  
INFORMATION DISCLOSED HEREON IS CONFIDENTIAL AND ALL RIGHTS,  
PATENT AND OTHERWISE, ARE RESERVED BY SOUTHCO, INC.

TOLERANCE UNLESS OTHERWISE NOTED  
METRIC - MM - TWO PLACE (XX) ±      ONE PLACE (X) ±  
INCH DECIMALS ±      FRACTIONS ±      ANGLES ±

DRAWING NUMBER  
J-02-30-121-10