

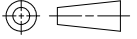
**southco**

PROPRIETARY ITEM - EXCEPT FOR USES EXPRESSLY  
GRANTED IN WRITING INFORMATION DISCLOSED  
HEREON IS CONFIDENTIAL AND ALL RIGHTS PATENT  
AND OTHERWISE ARE RESERVED BY SOUTHCO, INC.

E3 VISE ACTION® COMPRESSION LATCH ASSEMBLY  
SINGLE HOLE MOUNT  
WITH MINIMAL INSIDE PROTRUSION

DATE	DRAWN	CHKD	SCALE	DRAWING NUMBER
17SEP98	GDM	MP	NTS	TD-E3-08-J

REV	DATE	DRAWN/CHKD	DESCRIPTION
A	10DEC98	GDM	PRN: E3-746
B	09APR2002	GDM	UPDATE FORMAT

THIRD ANGLE PROJECTION  A4 PAPER SIZE

#### SOUTHCO PERFORMANCE GUIDELINES

THE PERFORMANCE GUIDELINES SHOWN ON THIS PAGE ARE SUPPLIED AS A GENERAL GUIDE ONLY, AS CONDITIONS VARY WITH EACH APPLICATION AND METHOD OF INSTALLATION. STRENGTH DATA GIVEN IS FOR FAILURE OF THE PRODUCT OR FOR SUFFICIENT DEFORMATION TO MAKE PRODUCT INOPERABLE. NO SAFETY FACTOR HAS BEEN APPLIED IT IS RECOMMENDED THAT THE USER REQUEST A PRODUCT SAMPLE FOR TESTING TO DETERMINE THE SUITABILITY OF THE PRODUCT FOR THE PURPOSE INTENDED AND USER'S PARTICULAR APPLICATION.

#### ASSEMBLY PART NUMBERS

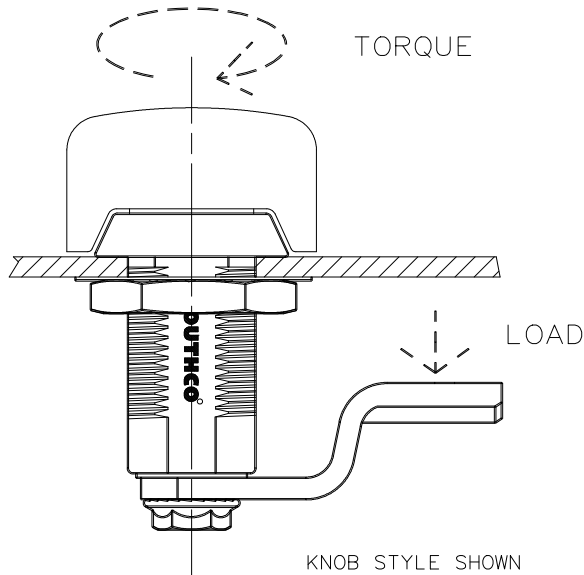
E3-10X-XXX  
E3-101X-XXX  
E3-12X-XXX  
E3-121X-XXX

COMPRESSIVE STRENGTH - MAXIMUM WORKING LOAD:

300 N (67 lbf)

- AVERAGE ULTIMATE LOAD:

700 N (157 lbf)



TORQUE LIMITS - TO DEVELOP A COMPRESSIVE FORCE ON THE PAWL OF 300 N (67 lbf), AN OPERATING TORQUE OF 5.6 N·m (50 lbf·in) IS REQUIRED TO LOCK THE FASTENER.

RECOMMENDED TIGHTENING TORQUE - MOUNTING NUT:

20 N·m (177 lbf·in)

- MOUNTING SCREW:

10 N·m (88.5 lbf·in)

MAXIMUM WORKING LOAD - THE MAXIMUM RECOMMENDED LOAD AT WHICH THE PRODUCT CONTINUES TO FUNCTION PROPERLY.

AVERAGE ULTIMATE LOAD - THE LOAD THAT CAUSES FAILURE OR EXCESSIVE DEFORMATION WHICH RENDERS THE PRODUCT INOPERABLE.