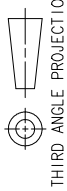


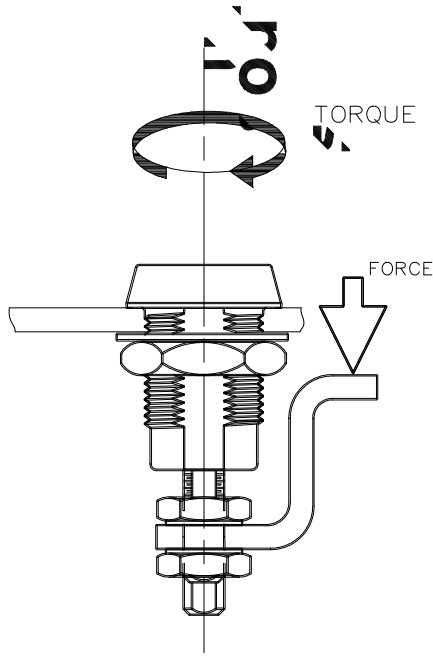
REV	DATE	DRAWN/CHKD	DESCRIPTION	DATE	DRAWN	CHKD	SCALE	DRAWING NUMBER
D	13JAN2007	VNK/VPR	PRN: P2007-0093	5/87	G	G	NTS	TD-E3-03-J
E	02MAY2017	CMS/LT	PRN: P2017-1017					



A  
PAPER  
SIZE

### SOUTHCO PERFORMANCE GUIDELINES

THE PERFORMANCE GUIDELINES SHOWN ON THIS PAGE ARE SUPPLIED AS A GENERAL GUIDE ONLY, AS CONDITIONS VARY WITH EACH APPLICATION AND METHOD OF INSTALLATION. STRENGTH DATA GIVEN IS FOR FAILURE OF THE PRODUCT OR FOR SUFFICIENT DEFORMATION TO MAKE PRODUCT INOPERABLE. NO SAFETY FACTOR HAS BEEN APPLIED IT IS RECOMMENDED THAT THE USER REQUEST A PRODUCT SAMPLE FOR TESTING TO DETERMINE THE SUITABILITY OF THE PRODUCT FOR THE PURPOSE INTENDED AND USER'S PARTICULAR APPLICATION.



PART NO.	THREAD TYPE
E3-65-XX	IMPERIAL
E3-66-XX	IMPERIAL
E3-67-XX	IMPERIAL
E3-55-XX	METRIC
E3-56-XX	METRIC
E3-57-XX	METRIC

COMPRESSIVE STRENGTH - Suggested WORKING FORCE ①: 330 N / 75 LBS  
Average ULTIMATE FORCE ②: 660 N / 150 LBS

TORQUE LIMITS - To develop a compressive force on the pawl of 330 N / 75 lbs., an operating torque of 1.7 N-m / 15 in.-lbs. was required to lock the fastener.③

RECOMMENDED TIGHTENING TORQUE - MOUNTING NUT 13 N-m (115 in-lbf)  
PAWL MOUNTING NUT: 5 N-m (44 in-lbf)

- ① WORKING FORCE is the maximum force that the product will withstand without affecting the operation or appearance of the product.
- ② Average ULTIMATE FORCE causes failure of the product or sufficient deformation to make the product inoperable.
- ③ Overloading the fastener beyond these conditions is not recommended.