

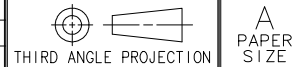


PROPRIETARY ITEM - EXCEPT FOR USES EXPRESSLY GRANTED IN WRITING INFORMATION DISCLOSED HEREON IS CONFIDENTIAL AND ALL RIGHTS PATENT AND OTHERWISE ARE RESERVED BY SOUTHCO, INC.

E5 QUARTER TURN LATCH

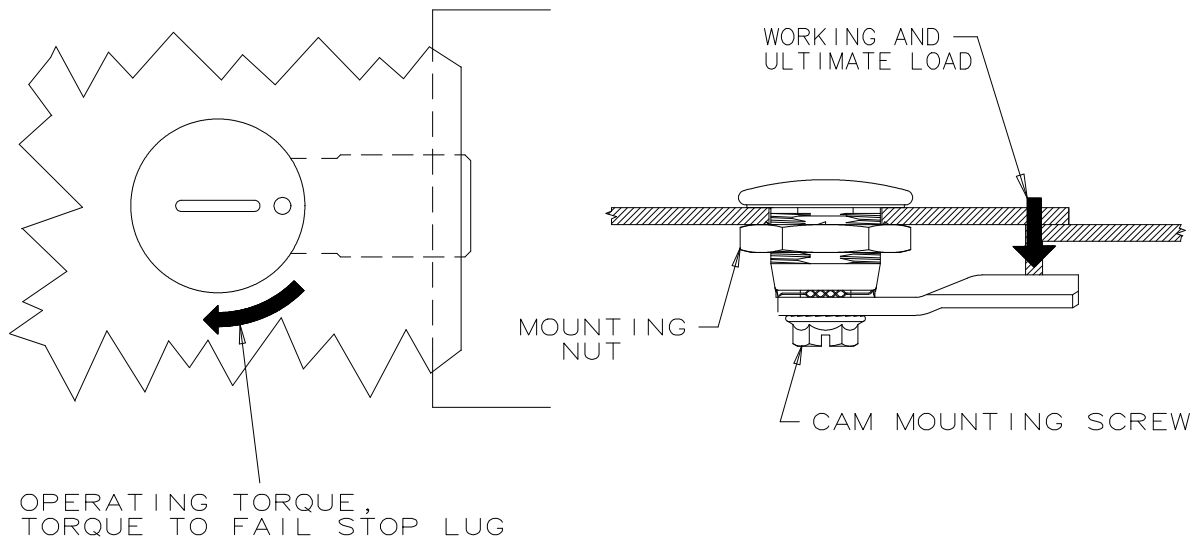
DATE	DRAWN	CHKD	SCALE	DRAWING NUMBER
12NOV93	ALC	ACZ	NTS	TD-E5-1-J

REV	DATE	DRAWN/CHKD	DESCRIPTION	REV	DATE	DRAWN/CHKD	DESCRIPTION
B	1MAY00	GDM	SEE RECORD PRINT	D	29JAN2009	JSS	PRN:P2009-0106
C	09APR2002	GDM	UPDATED FORMAT	E	12FEB2014	CMS/BJM	PRN:P2014-0294



SOUTHCO PERFORMANCE GUIDELINES
 THE PERFORMANCE GUIDELINES SHOWN ON THIS PAGE ARE SUPPLIED AS A GENERAL GUIDE ONLY, AS CONDITIONS VARY WITH EACH APPLICATION AND METHOD OF INSTALLATION. STRENGTH DATA GIVEN IS FOR FAILURE OF THE PRODUCT OR FOR SUFFICIENT DEFORMATION TO MAKE PRODUCT INOPERABLE. NO SAFETY FACTOR HAS BEEN APPLIED IT IS RECOMMENDED THAT THE USER REQUEST A PRODUCT SAMPLE FOR TESTING TO DETERMINE THE SUITABILITY OF THE PRODUCT FOR THE PURPOSE INTENDED AND USER'S PARTICULAR APPLICATION.

E5-X-XXX-XXO



TEST DESCRIPTION	RATING
MAXIMUM RECOMMENDED WORKING LOAD ①	330 N
AVERAGE ULTIMATE LOAD ②	450 N
MAXIMUM RECOMMENDED MOUNTING NUT TIGHTENING TORQUE ③	10 N•m
AVERAGE TORQUE TO FAIL STOP LUG ④	12.3 N•m
MAXIMUM RECOMMENDED CAM SCREW TIGHTENING TORQUE ⑤	5 N•m
AVERAGE OPERATING TORQUE	54 N•cm
CYCLE LIFE	GREATER THAN 25,000

- ① WORKING LOAD IS THE MAXIMUM FORCE THAT THE PRODUCT WILL WITHSTAND WITHOUT AFFECTING THE OPERATION OR APPEARANCE OF THE PRODUCT.
- ② AVERAGE ULTIMATE LOAD CAUSES FAILURE OF THE PRODUCT OR SUFFICIENT DEFORMATION TO MAKE THE PRODUCT INOPERABLE.
- ③ FAILURE OCCURED WHEN THE FLANGES PULLED AWAY FROM THE HOUSING.
- ④ FAILURE OCCURED WHEN THE STOP LUG STRIPPED OFF.
- ⑤ FAILURE OCCURED WHEN THE DRIVE STUD INTERNAL THREADS WERE STRIPPED.