



SEALING COVER FOR VISE-ACTION LATCH  
SMALLER SIZE SINGLE HOLE MOUNT

DATE	DRAWN	CHKD	SCALE	DRAWING NUMBER
9-24-90	pek		FULL	J-90-1

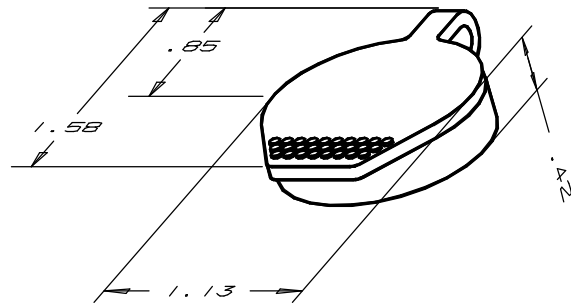
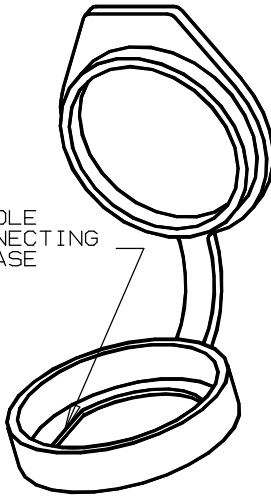
CONCORDVILLE, PA

A 06DEC2012 CMS/MSR PRN: P2012-1719

PART NUMBER: 90-1  
MATERIAL: THERMOPLASTIC ELASTOMER, BLACK.

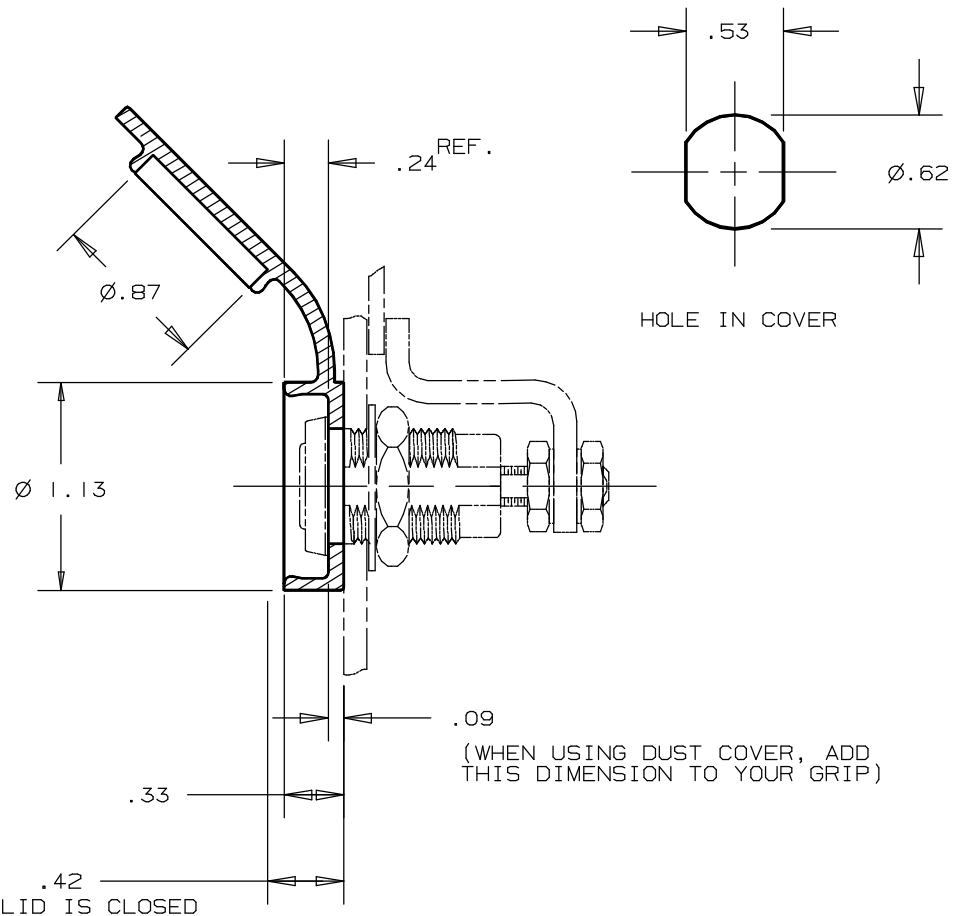
PART NUMBER: 90-1-W  
MATERIAL: THERMOPLASTIC ELASTOMER, APPLIANCE WHITE.

FLATS OF THRU HOLE  
PARALLEL TO CONNECTING  
STRIP BETWEEN BASE  
AND COVER.



SEALING COVER MAY BE USED WITH THE FOLLOWING:

E3-10-601-50	E3-10-601-75	E3-65-15	E3-65-17
E3-10-602-50	E3-10-602-75	E3-65-25	E3-65-27
E3-10-603-50	E3-10-603-75	E3-65-35	E3-65-37
E3-10-604-50	E3-10-604-75	E3-65-45	E3-65-47
E3-10-605-50	E3-10-605-75	E3-65-55	E3-65-57
E3-10-606-50	E3-10-606-75	E3-65-65	E3-65-67
E3-10-607-50	E3-10-607-75	E3-65-75	E3-65-77
E3-10-608-50	E3-10-608-75	E3-65-85	E3-65-87



FORMAT A 3/88

PROPRIETARY ITEM - EXCEPT FOR USES EXPRESSLY GRANTED IN WRITING  
INFORMATION DISCLOSED HEREON IS CONFIDENTIAL AND ALL RIGHTS PATENT  
AND OTHERWISE ARE RESERVED BY SOUTHCO, INC.

DRAWING NUMBER

J-90-1