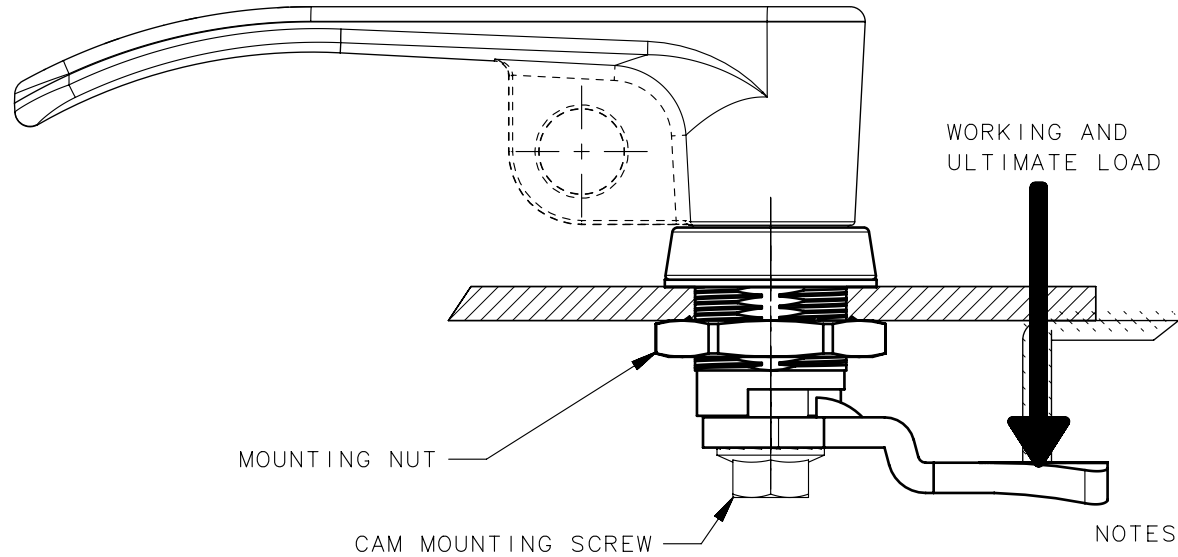


REVISION HISTORY			
REV	DATE	BY	DESCRIPTION
D	09JAN2023	IR/BVH	PRN: P2023-0050

SOUTHCO PERFORMANCE GUIDELINES

THE PERFORMANCE GUIDELINES SHOWN ON THIS PAGE ARE SUPPLIED AS A GENERAL GUIDE ONLY, AS CONDITIONS VARY WITH EACH APPLICATION AND METHOD OF INSTALLATION. STRENGTH DATA GIVEN IS FOR FAILURE OF THE PRODUCT OR FOR SUFFICIENT DEFORMATION TO MAKE PRODUCT INOPERABLE. NO SAFETY FACTOR HAS BEEN APPLIED IT IS RECOMMENDED THAT THE USER REQUEST A PRODUCT SAMPLE FOR TESTING TO DETERMINE THE SUITABILITY OF THE PRODUCT FOR THE PURPOSE INTENDED AND USER'S PARTICULAR APPLICATION.



TEST DESCRIPTION	E5-7-XXX-UU1-XX E5-9-7XX-UU1-XX
1 MAXIMUM RECOMMENDED STATIC WORKING LOAD	330 N
2 AVERAGE ULTIMATE LOAD	450 N
3 MAXIMUM RECOMMENDED MOUNTING NUT TIGHTENING TORQUE	10 N-m
4 MAXIMUM RECOMMENDED CAM SCREW TIGHTENING TORQUE	5 N-m
CYCLE LIFE	15,000 AT 67 N

NOTES:

1. STATIC WORKING LOAD IS THE MAXIMUM FORCE THAT THE PRODUCT WILL WITHSTAND WITHOUT AFFECTING THE OPERATION OR APPEARANCE OF THE PRODUCT.
2. AVERAGE ULTIMATE LOAD CAUSES FAILURE OF THE PRODUCT OR SUFFICIENT DEFORMATION TO MAKE THE PRODUCT INOPERABLE.
3. FAILURE OCCURED WHEN THE THREADS OF THE HOUSING STRIPPED.
4. FAILURE OCCURED WHEN THE PHILLIPS RECESS STRIPPED.

CPB NUMBER 2020-0366	THIRD ANGLE PROJECTION	southco [®] CONNECT • CREATE • INNOVATE	
	MILLIMETERS [IN]		
	TOLERANCES UNLESS OTHERWISE NOTED	DESCRIPTION No. E5 CAM LATCH L-HANDLE	
	UP TO 0.5 ±0.05	SIZE A4	SYSTEM NX
	OVER 0.5 UP TO 6 ±0.1	DWG NO. TD-E5-9-7-J	
	OVER 6 UP TO 30 ±0.2		
	OVER 30 ±0.3		
	ANGLES ±1°		
PROPRIETARY ITEM EXCEPT FOR USES EXPRESSLY GRANTED IN WRITING, INFORMATION DISCLOSED HEREON IS CONFIDENTIAL AND ALL RIGHTS, PATENT AND OTHERWISE, ARE RESERVED BY SOUTHCO, INC.	PER ASME Y14.5M-1994	DRAWN BY MJS/LAH	DATE 25NOV2008
		SCALE 1:1	SHEET 1 OF 1

REF: TR E5-41, TR E5-61, trE5-51632