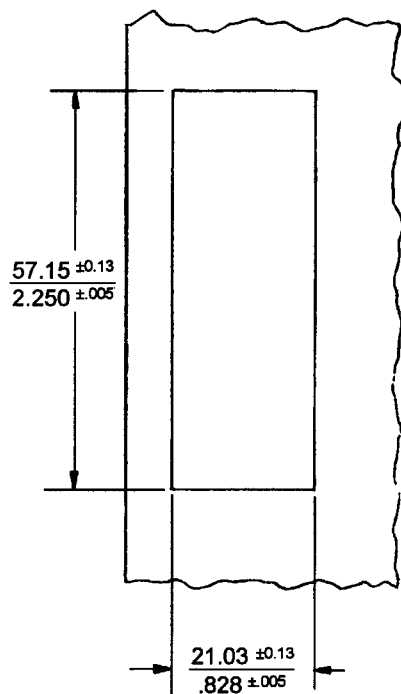




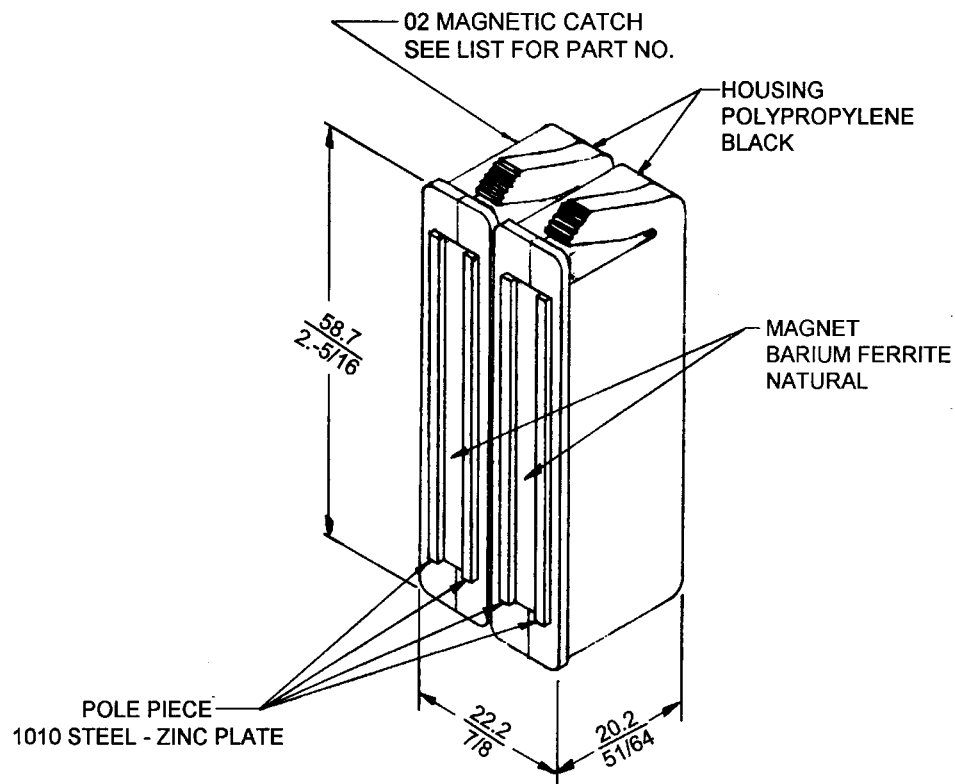
800 SERIES 02 MAGNETIC CATCH

DATE	DRAWN	CHKD	SCALE	DRAWING NUMBER
12-26-73	ACZ		NTS	J-02-10-80-10

REV. LET.	DATE	BY-CHKD	REVISIONS	FRAME THICKNESS	ASSEMBLY PART NUMBER	R.S.	DATE	APP.
A	10-8-76	RHB	PRN: 02-13	0.05 TO 2.03 0.020 TO 0.080	02-10-801-10	A	8-30-74	ACZ
B	1-18-82	ESK	PRN: S-1-01	2.03 TO 3.56 0.080 TO 0.140	02-10-802-10	B		
C	5-27-86	RHB	PRN: 02-49	3.56 TO 5.08 0.140 TO 0.200	02-10-803-10	C		
D	7-29-86	JSS	PRN: 02-52			D	10-11-74	
E	5MAR93	JRR	PRN: S-1-03					



FRAME PREPARATION



MILLIMETER / INCH MILLIMETER
INCH

PROPRIETARY ITEM - EXCEPT FOR USES EXPRESSLY GRANTED IN WRITING, INFORMATION DISCLOSED HEREON IS CONFIDENTIAL AND ALL RIGHTS, PATENT AND OTHERWISE, ARE RESERVED BY SOUTHCO, INC.

TOLERANCE UNLESS OTHERWISE NOTED
METRIC - MM - TWO PLACE (XX) ± — ONE PLACE (X) ± —
INCH DECIMALS ± — FRACTIONS ± — ANGLES ± —

DRAWING NUMBER
J-02-10-80-10