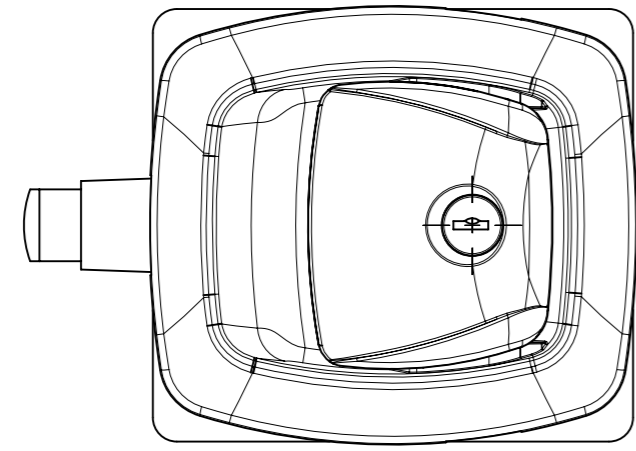


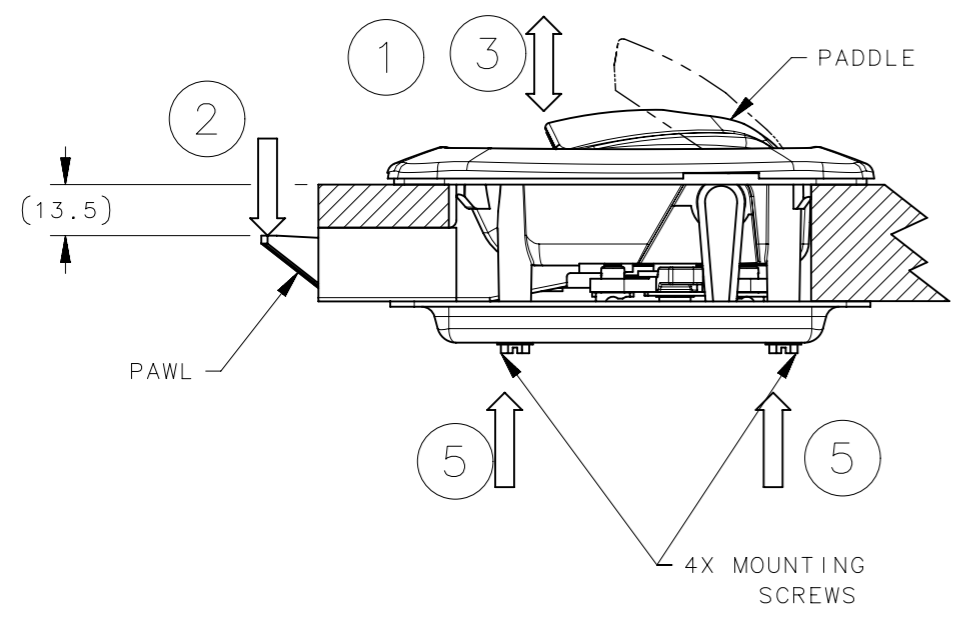
REVISION HISTORY			
REV	DATE	BY	DESCRIPTION
D	02JUN2017	ACH/MH	PRN: P2017-1306

SOUTHCO PERFORMANCE GUIDELINES

THE PERFORMANCE GUIDELINES SHOWN ON THIS PAGE ARE SUPPLIED AS A GENERAL GUIDE ONLY. AS CONDITIONS VARY WITH EACH APPLICATION AND METHOD OF INSTALLATION. STRENGTH DATA GIVEN IS FOR FAILURE OF THE PRODUCT OR FOR SUFFICIENT DEFORMATION TO MAKE PRODUCT INOPERABLE. NO SAFETY FACTOR HAS BEEN APPLIED IT IS RECOMMENDED THAT THE USER REQUEST A PRODUCT SAMPLE FOR TESTING TO DETERMINE THE SUITABILITY OF THE PRODUCT FOR THE PURPOSE INTENDED AND USER'S PARTICULAR APPLICATION.

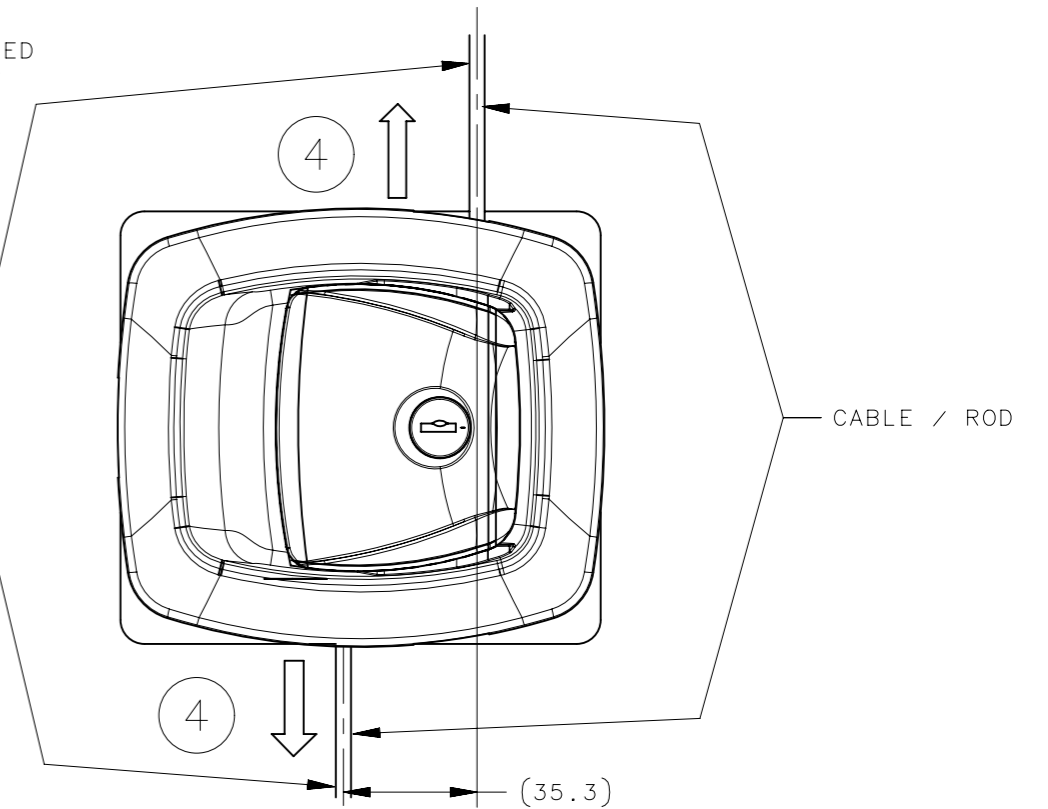


R3-20-3YY-ZZ SHOWN (WITH PAWL)



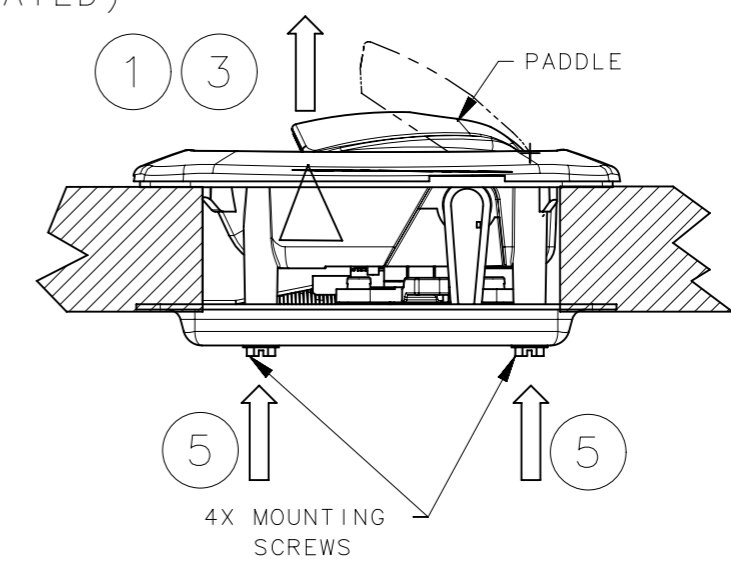
REF: R3-03

AVERAGE FORCE ①		AVERAGE ULTIMATE TENSILE LOAD ②		MAXIMUM RECOMENDED TIGHTEN TORQUE ⑤
TO OPEN LATCH	TO CLOSE LATCH	ON PAWL	ON PADDLE	ON MOUNTING SCREWS
28 N (6.3 lbf)	60 N (13.5 lbf)	3150 N (708 lbf)	850 N (191 lbf)	2.8 Nm (25 lb-in)



MAXIMUM WORKING LOAD OF 12.5 lbf (55.6 N) AT END OF EACH ROD / CABLE
25 lbf (111N) TOTAL

R3-22-3YY-ZZ SHOWN (CABLE / ROD ACTUATED)



REF: trR3-23502 revB

AVERAGE FORCE WITH 25lbf TOTAL APPLIED AT ENDS ①	AVERAGE ULTIMATE TENSILE LOAD ③	HIGHEST RECOMMENDED LOAD AT MAX TRAVEL ④	MAXIMUM RECOMENDED TIGHTEN TORQUE ⑤
TO OPEN LATCH	ON PADDLE	TOTAL FOR BOTH CABLE/ ROD ENDS	ON MOUNTING SCREWS
70 N (13.5 lbf)	850 N (191 lbf)	111 N (25 lbf)	2.8 Nm (25 lb-in)

THIRD ANGLE PROJECTION		 CONNECT • CREATE • INNOVATE	
MILLIMETERS [IN]			
TOLERANCES UNLESS OTHERWISE NOTED		DESCRIPTION R3 BAGGAGE DOOR LATCH	
UP TO 0.5 ±0.05		SIZE A3	SYSTEM NX
OVER 0.5 UP TO 6 ±0.1		DWG NO. TD-R3-2-J	
OVER 6 UP TO 30 ±0.2		DRAWN BY EV/MJS	DATE 12JUL2006
OVER 30 ±0.3		SCALE 1:2	
ANGLES ±1°		SHEET 1 OF 1	
PER ASME Y14.5M-1994			

D

C

B

A

D

C

B

A