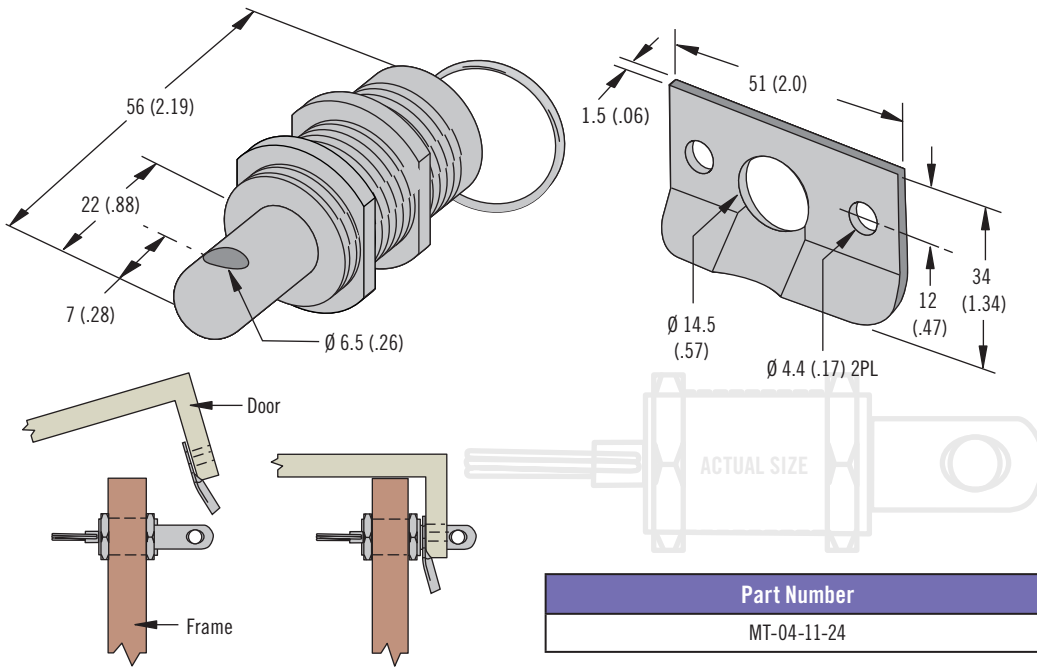
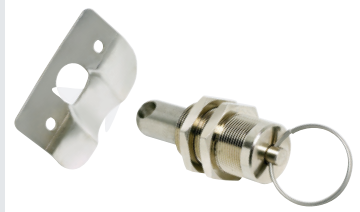


MT Push-to-Close Latch

Pull-to-open · Padlockable



- Remote actuation
- Corrosion-resistant

Material and Finish

Latch and keeper:
Stainless steel, passivated

Part Number

See table

Latch and keeper supplied

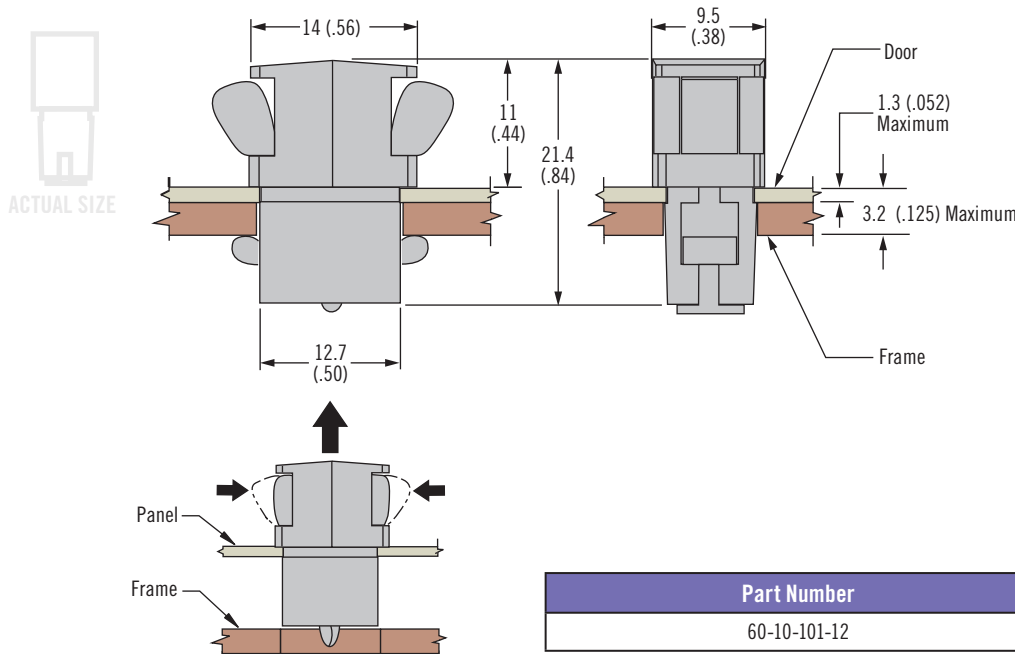
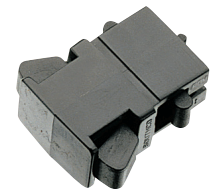
Other options available. For complete details on variety, part numbers, installation and specification, go to



www.southco.com/MT2

60 Push-to-Close Latch

Squeeze to open



- Single hole installation
- Suitable for limited space applications

Material and Finish

Acetal, black

Part Number

See table

Other options available. For complete details on variety, part numbers, installation and specification, go to



www.southco.com/60