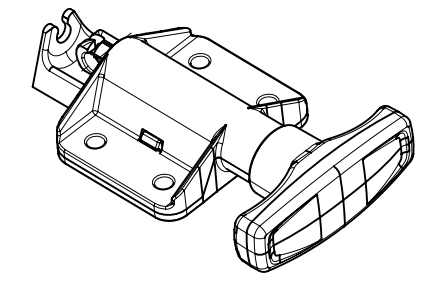
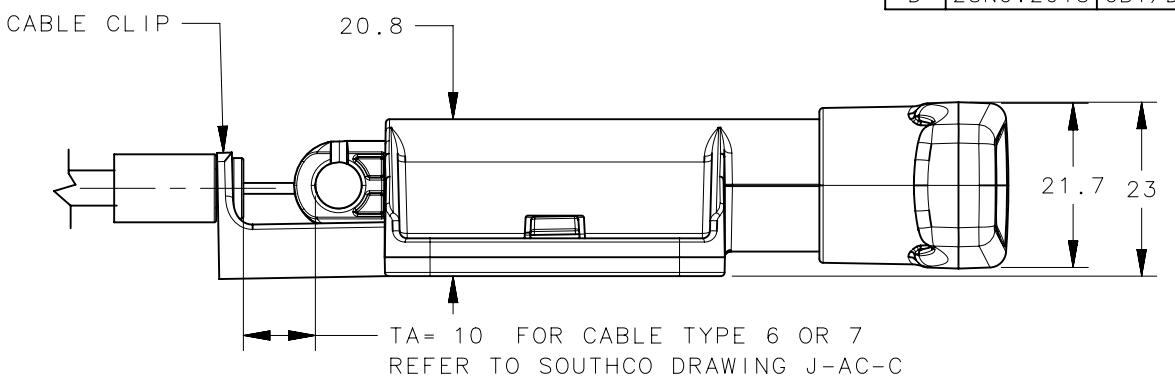
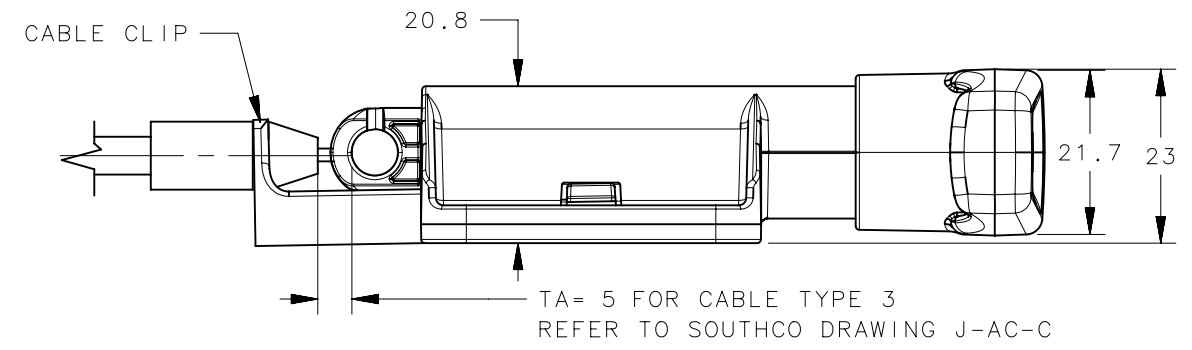
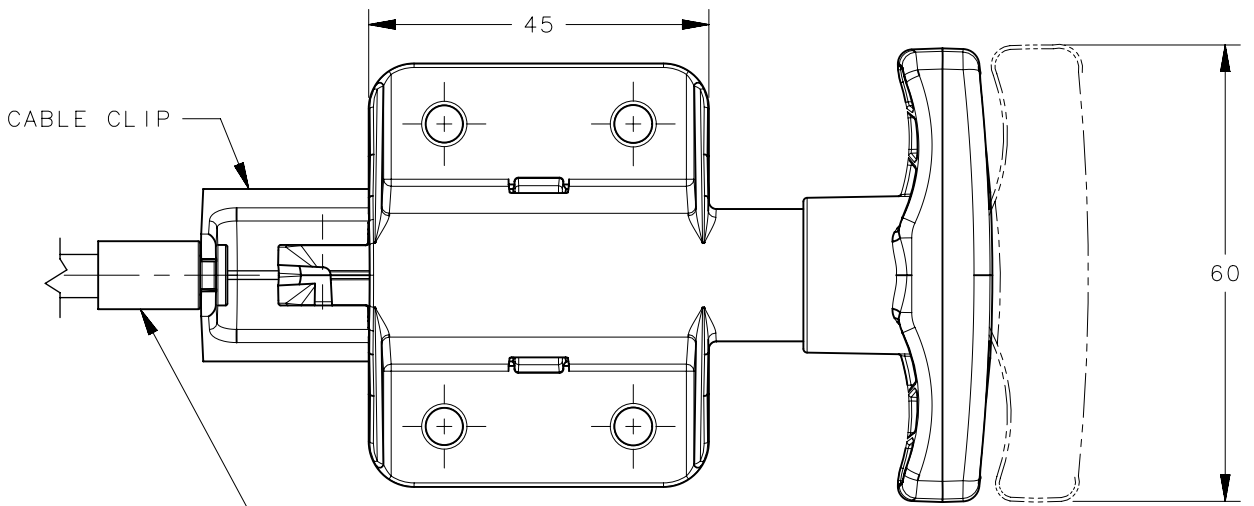
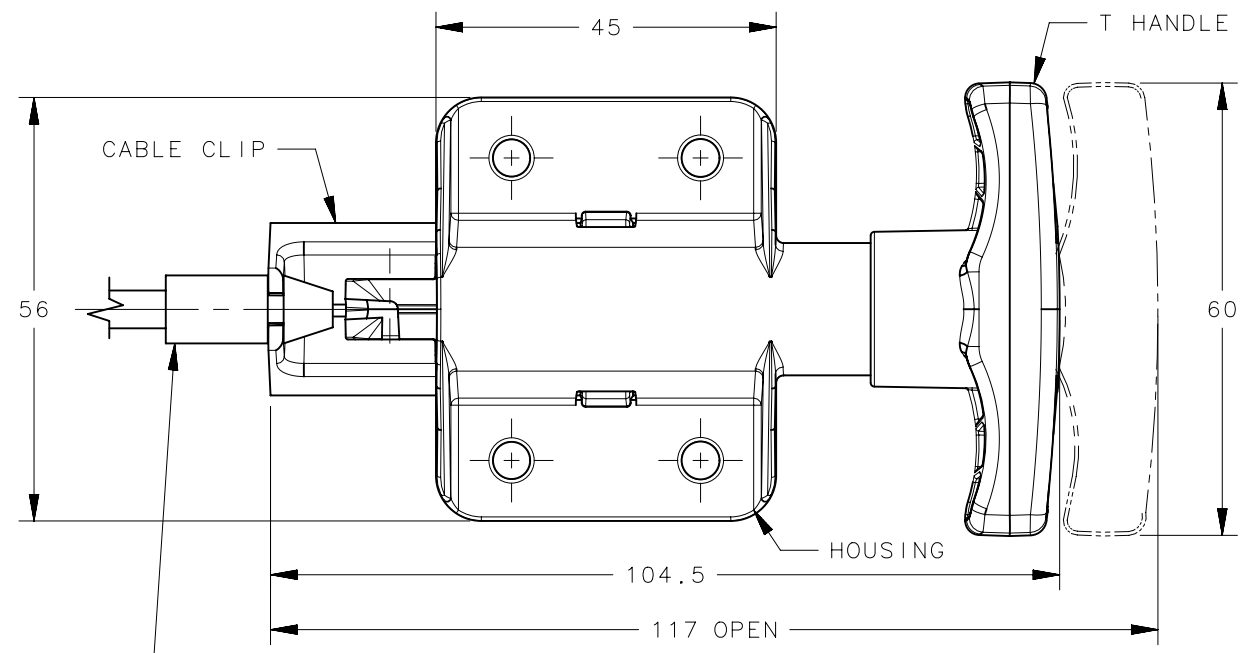


REVISION HISTORY			
REV	DATE	BY	DESCRIPTION
D	28NOV2018	CBI/DMS	PRN: P2018-2738



SCALE 1:2

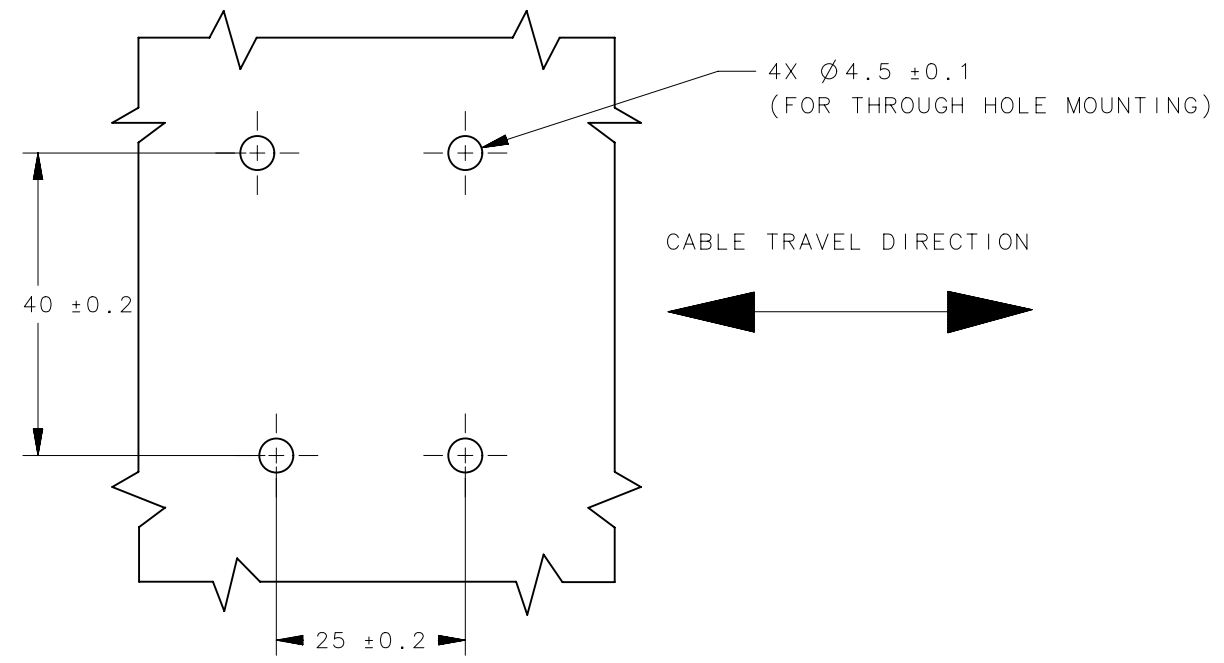


USE SOUTHCO CABLE END' FITTING TYPE A [BARREL]. (CABLE SOLD SEPARATELY). REFER TO SOUTHCO DRAWING J-AC-C FOR CABLE SELECTION GUIDE.

USE SOUTHCO CABLE END' FITTING TYPE A [BARREL]. (CABLE SOLD SEPARATELY). REFER TO SOUTHCO DRAWING J-AC-C FOR CABLE SELECTION GUIDE.

NOTES:

- 1 INSTALLATION NOTES:
 - A. PREPARE PANEL AS SHOWN.
 - B. USE M4 OR #8 SCREWS (FASTENERS NOT PROVIDED).
 - C. INSERT BARREL FITTING IN CABLE SLIDE, THEN SNAP THE CABLE SLEEVES INTO ACTUATOR CABLE CLIP TO SECURE THE CABLE.



PANEL PREPARATION

NO.	PART NUMBER	QTY.	TYPE OF COMPONENT	MATERIAL	FINISH
5	-	1	SPRING	302 STAINLESS STEEL	NATURAL
4	-	1	CABLE CLIP	ACETAL	BLACK
3	-	1	CABLE SLIDE	13% GLASS FILLED NYLON	BLACK
2	-	1	T-HANDLE	13% GLASS FILLED NYLON	BLACK
1	-	1	HOUSING	PC/ABS	BLACK
-	AC-60-101-11	-	ASSEMBLY	-	-

THIRD ANGLE PROJECTION		 CONNECT • CREATE • INNOVATE	
MILLIMETERS [IN]			
TOLERANCES UNLESS OTHERWISE NOTED		DESCRIPTION T-HANDLE ACTUATOR ASSEMBLY	
ALL DIMENSIONS WITHOUT TOLERANCES ARE FOR REFERENCE ONLY.		SIZE A3	SYSTEM NX
PER ASME Y14.5M-1994		DWG NO. J-AC-60-101	SCALE 1:1
PROPRIETARY ITEM EXCEPT FOR USES EXPRESSLY GRANTED IN WRITING, INFORMATION DISCLOSED HEREON IS CONFIDENTIAL AND ALL RIGHTS, PATENT AND OTHERWISE, ARE RESERVED BY SOUTHCO, INC.		DRAWN BY ACH/LBT	DATE 27MAY2008
		SHEET 1 OF 1	