

## DM Inserts Monosert rack attach

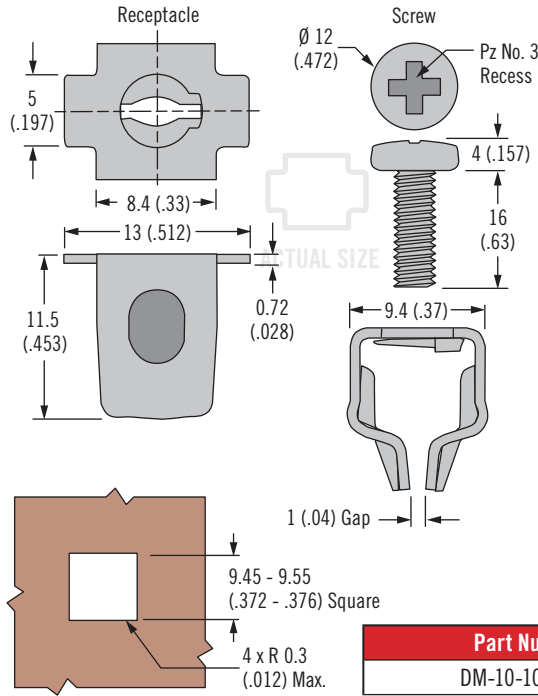
- Front install insert for rack attach applications

### Material and Finish

Steel, zinc plated

### Installation Notes

Max. tightening torque:  
2 N<sub>m</sub> (17.7 in<sub>oz</sub>lb)



### Standard Installation

### Alternative Installation



## DM Inserts Duosert rack attach

- Front install insert for rack attach applications

### Material and Finish

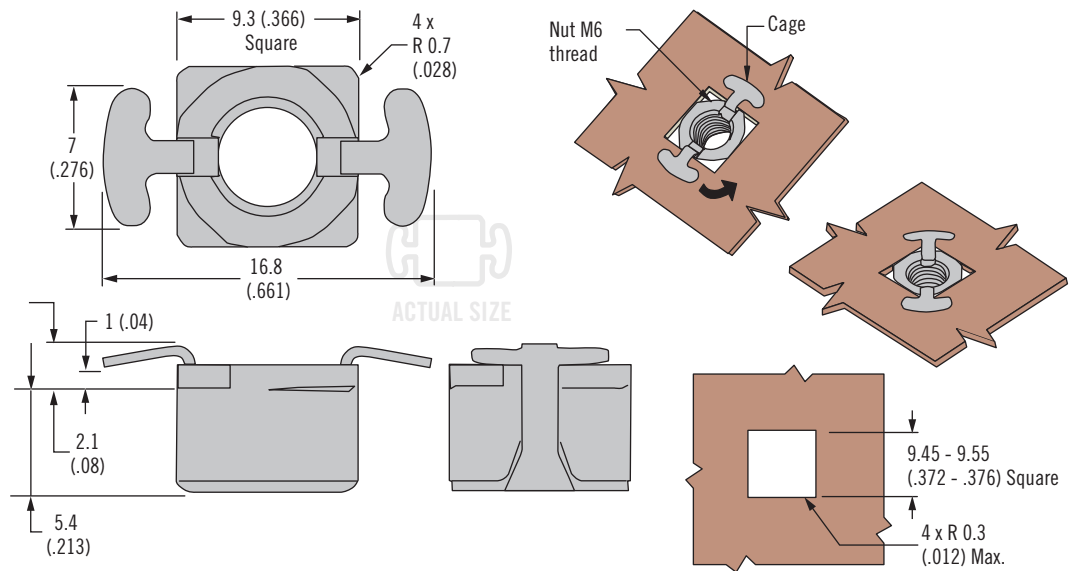
Zinc alloy and stainless steel, natural

### Installation Notes

Max. tightening torque:  
10 N<sub>m</sub> (88.5 in<sub>oz</sub>lb)

Max. panel thickness:  
1 - 1.2 (.039 - .047)

Recommended installation tool  
requires a flat blade screwdriver



Receptacle only. (Screw not supplied)