



# F6 Hinge

## Removable style · Concealed

- Hinge and hardware are concealed
- Allows for quick easy door removal
- Three styles

### Material and Finish

Steel, zinc plated, or stainless steel

### Performance Details

Steel

Radial load:

Maximum static load: 300 N (65 lbf)

Axial load:

Maximum static load:

500 N (112 lbf)

Stainless Steel

Radial load:

Maximum static load: 300 N (65 lbf)

Axial load:

Maximum static load:

800 N (180 lbf)

### Installation Notes

1. Select frame and door leaf separately for bulk packaging.
2. Select assembly for individual packaging (consists of 1 frame leaf and door leaf per bag)

Screws not supplied.

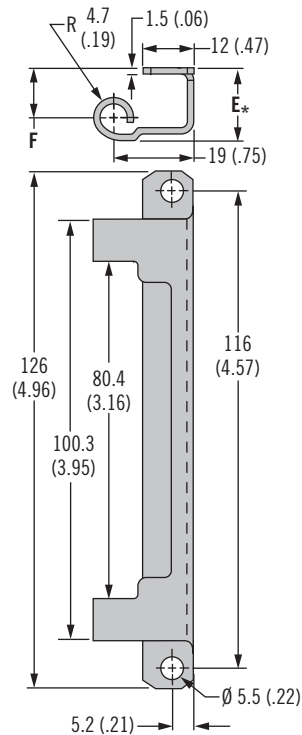
Use M5 (No. 10) hardware

Machine screws are recommended for mounting frame leaf

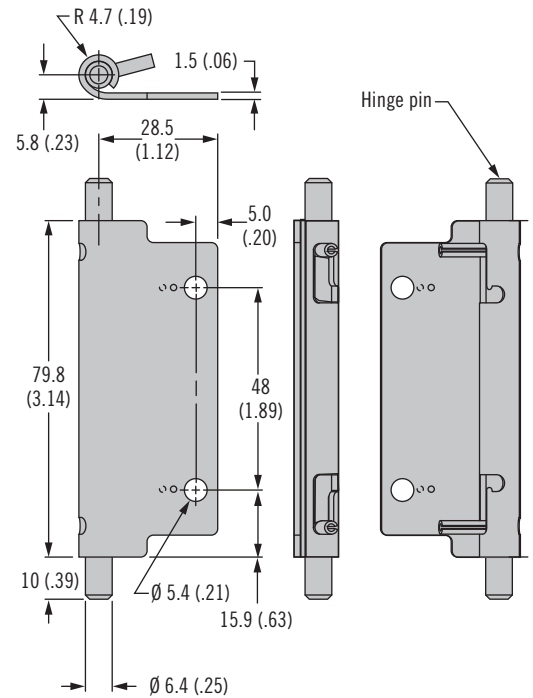
### Part Number

See table

### Frame Leaf



### Door Leaf



### Frame Leaf Part Number

Series	E	F	Steel	Stainless Steel
1	17 (.67)	11.8 (.47)	F6-901	F6-901-1
2	20 (.79)	14.8 (.58)	F6-902	F6-902-1
3	23.4 (.92)	18.2 (.72)	F6-903	F6-903-1

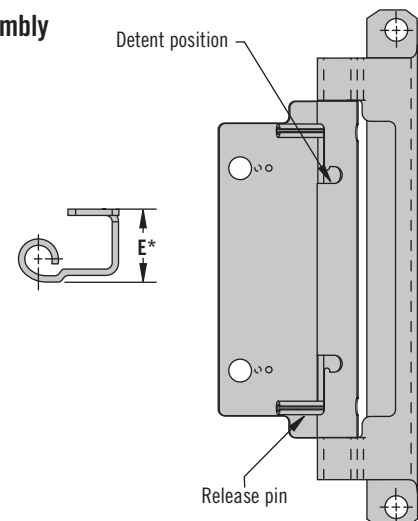
### Door Leaf Part Number

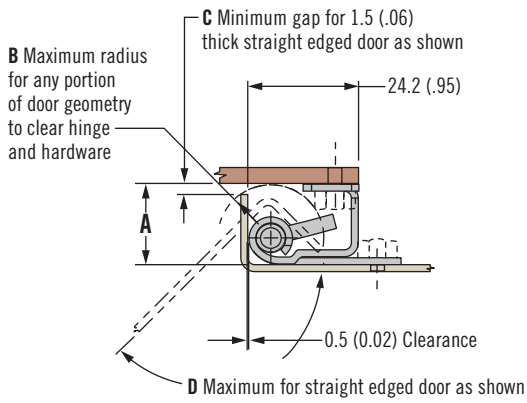
Door Leaf	Steel	Stainless Steel
	F6-940	F6-940-1

### Part Number Assembled

Assembly			Steel	Stainless Steel
Series	E	F		
1	17 (.67)	11.8 (.47)	F6-1	F6-1-1
2	20 (.79)	14.8 (.58)	F6-2	F6-2-1
3	23.4 (.92)	18.2 (.72)	F6-3	F6-3-1

### Assembly





Hinges may be fastened to door and frame by:

- M5 (No. 10) hardware. Machine screws are recommended for mounting frame leaf.
- \*Hex jam nuts. Verify clearance with door edge. Depending on jam nut orientation, full rotation may be obstructed.
- Welding.

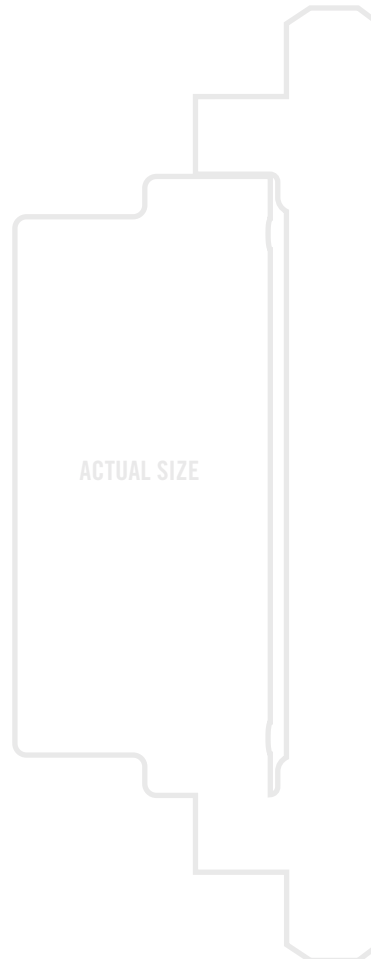
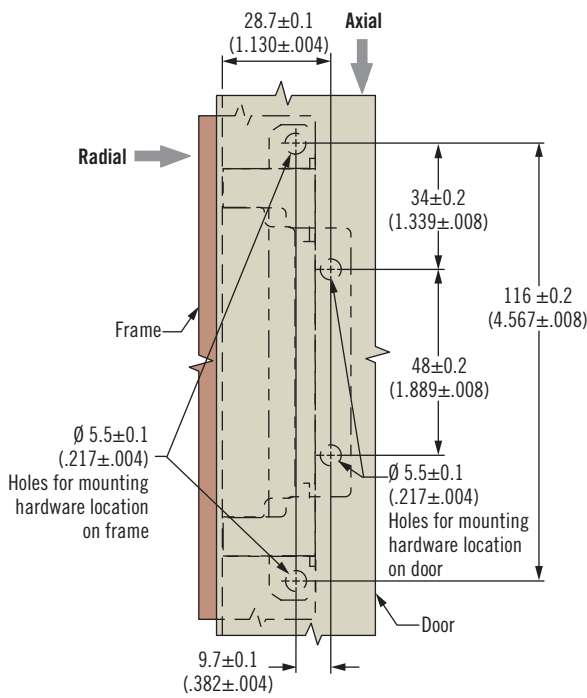
**Notes**

Mounting:

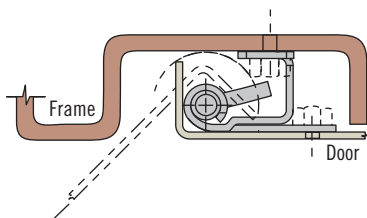
\* Select the frame leaf with a value of **E** best suited to the configuration of your door. The dimension **E** + 0.6 (.02) = the distance from the outside surface of your frame to the inside surface of your door.

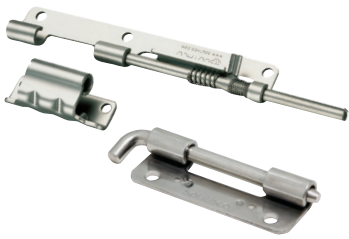


Series	Panel Preparations Dimensions			
	A	B	C	D
1	17.6 (.69)	10.9 (.43)	3.2 (.13)	132°
2	20.6 (.81)	12.7 (.50)	3.9 (.15)	125°
3	24 (.95)	15.3 (.60)	4.4 (.17)	118°



**Additional Mounting Options**





# F6 Hinge

Removable style · Concealed · Heavy-duty

- High strength and durability
- Allows door removal without using tools
- Retractable pin version resists vibration and prevents pin loss

### Material and Finish

Steel, zinc plated or stainless steel, natural

### Performance Details

Steel

Radial load:

Maximum static load:

1000 N (225 lbf)

Average ultimate load:

2100 N (472 lbf)

Axial load:

Maximum static load:

2900 N (650 lbf)

Average ultimate load:

4900 N (1100 lbf)

Stainless Steel

Radial load:

Maximum static load:

1300 N (292 lbf)

Average ultimate load:

2800 N (629 lbf)

Axial load:

Maximum static load:

3600 N (809 lbf)

Average ultimate load:

6000 N (1350 lbf)

Operating temperature range:

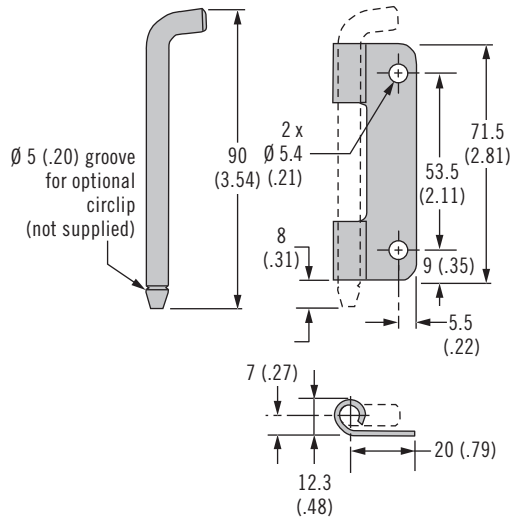
-40° C (-40° F) to 85° C (185° F)

### Part Number

See table

### Door Leaf

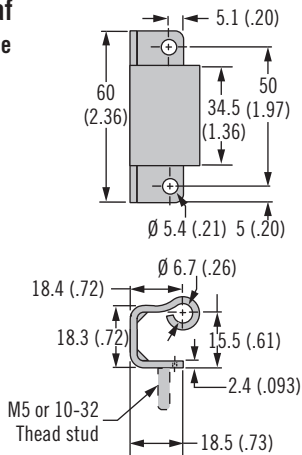
#### Removable Pin Style



Part Number		
Styles	Material	
	Steel	Stainless steel
Removable pin	F6-946	F6-946-5
Retractable pin type A	~	F6-941-5
Retractable pin type B	~	F6-942-5

### Frame Leaf

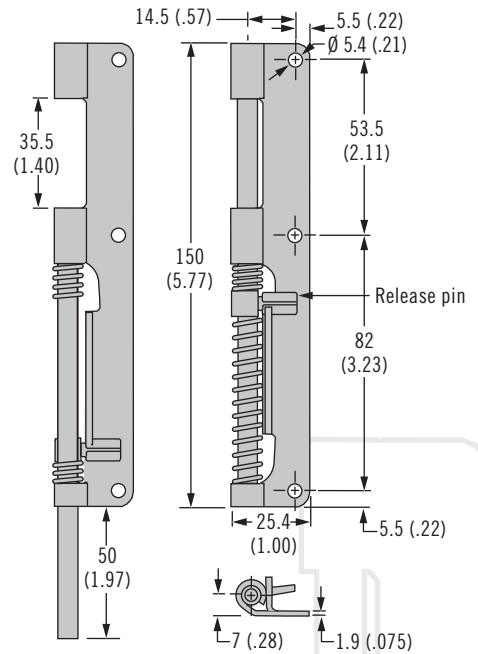
#### Formed Style



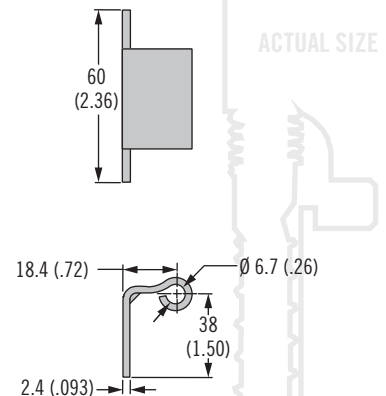
Part Number			
Style	Installation	Material	
		Steel	Stainless steel
Formed	Thru hole	F6-905	F6-905-5
Formed	M5 thread stud	F6-908	F6-908-5
Formed	10-32 thread stud	F6-907	F6-907-5
Flat	Weld	F6-904	F6-904-5

### Retractable Pin Style

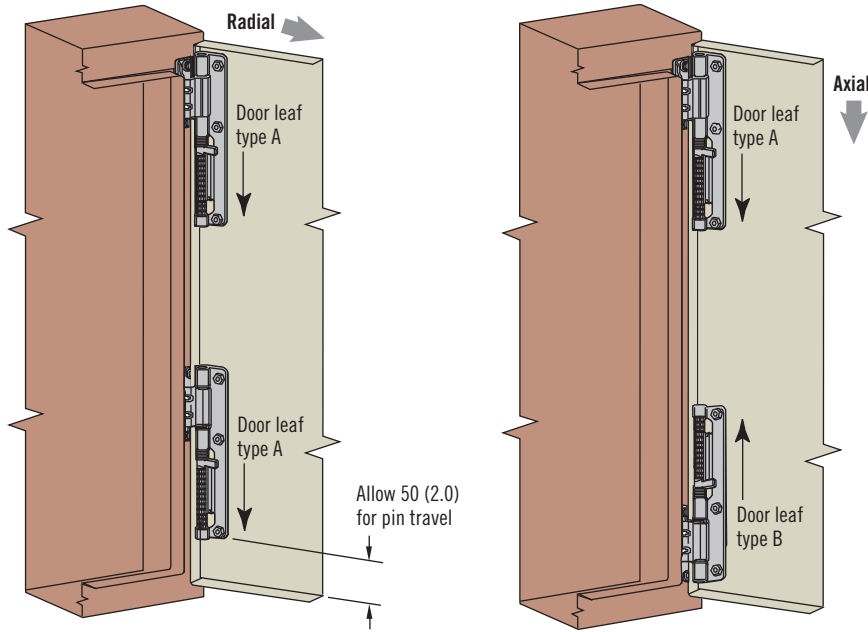
Type A shown, Type B mirror image



### Flat Style



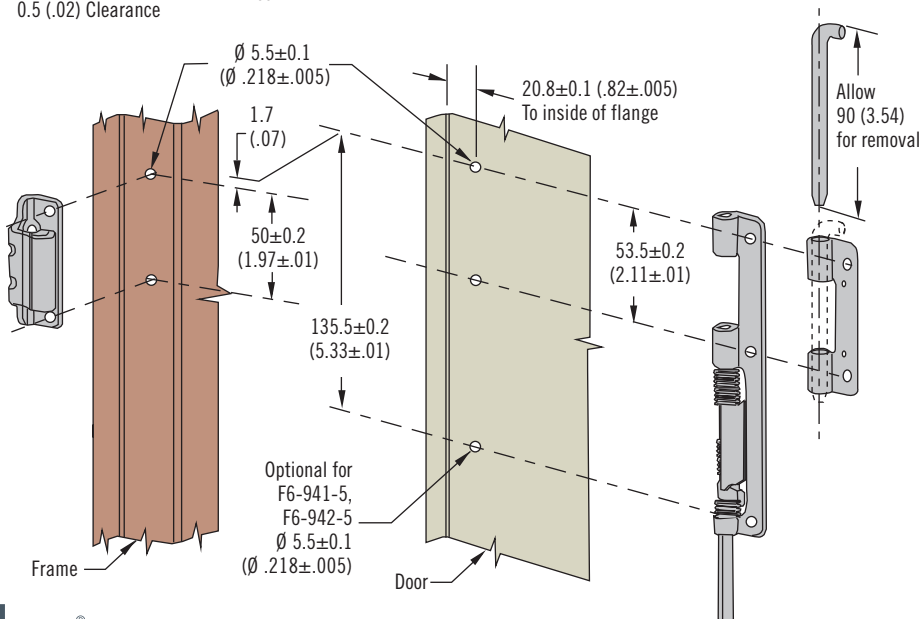
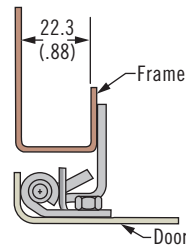
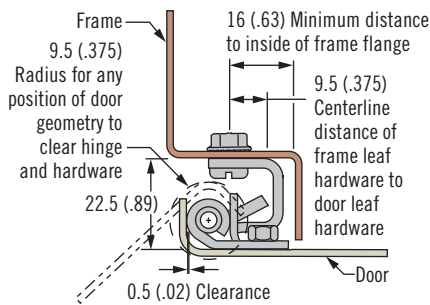
### Formed Frame Leaf



### Installation

Typical door and frame installation using formed frame leaf

Typical door and frame installation using flat frame leaf



### Installation Notes

Order separately 1 door leaf and 1 frame leaf for a complete assembly  
 Screws not supplied.  
 Hinge Leaves may be fastened to the door and the frame by: M5 (No. 10) hardware (machine screws are recommended) or by welding.

