



# H3 Swinghandle System

Medium / large · Sealed / non-sealed

- Zinc alloy swinghandle system
- Multiple locking options; including DIN profile
- Indoor/outdoor version
- Available for medium (125mm x 25mm) and large (150mm x 25mm) door cutout
- Linear and rotational systems available

## Material and Finish

Handle: Zinc alloy, black powder coated or satin chrome plated  
Cam: Steel, zinc plated

## Performance Details

Maximum static load: 250 N (56 lbf)

## Sealing Notes

Sealed version meets NEMA 4/IP66 water intrusion standards

## Keys

See page 120

## Notes

Key removal in unlocked position only available on non-sealed version

Product available to meet **TELCORDIA® GR-487** contact Southco for details

Electromechanical swinghandle available see pages 40-41

For single point and actuator plate system see pages 186-187

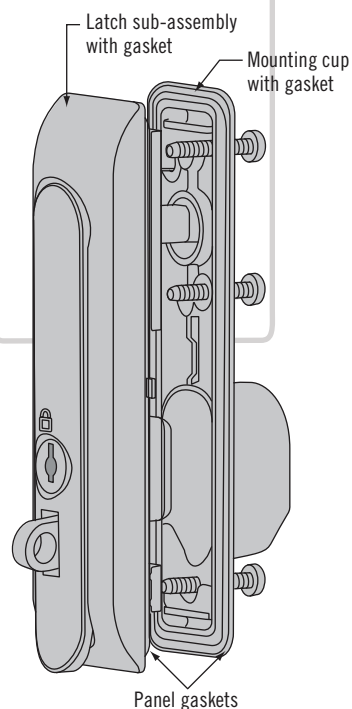
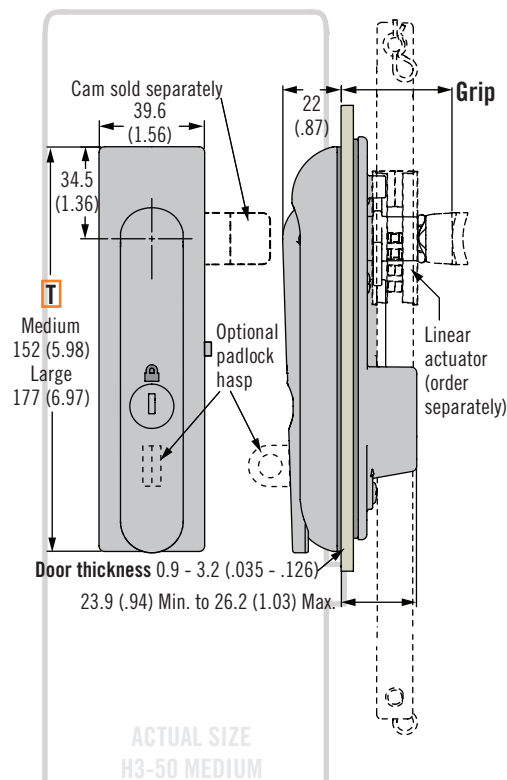
For dimension details of DIN lock version, please contact Southco

For plastic version see page 228.

**TELCORDIA** is a registered trademark of Telcordia Technologies Inc.

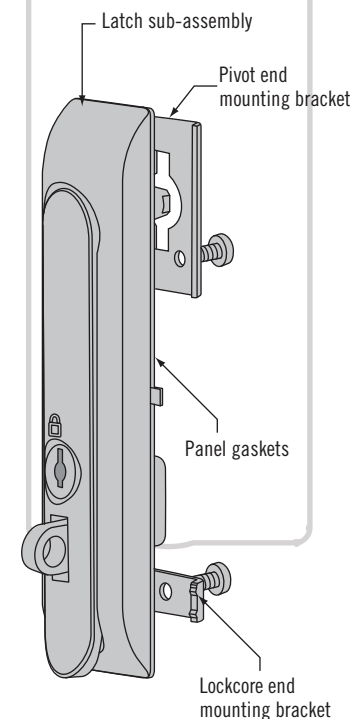
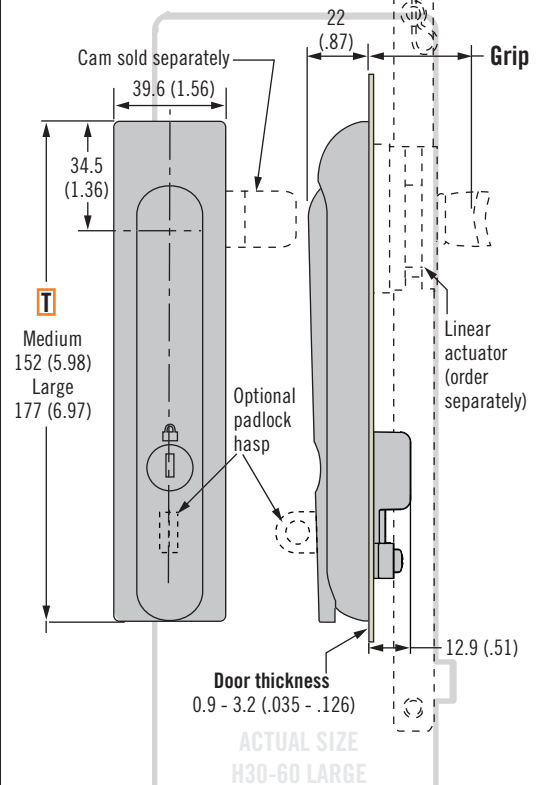
## Sealed (H3-50 medium shown)

(Also available in large. See part number selection)



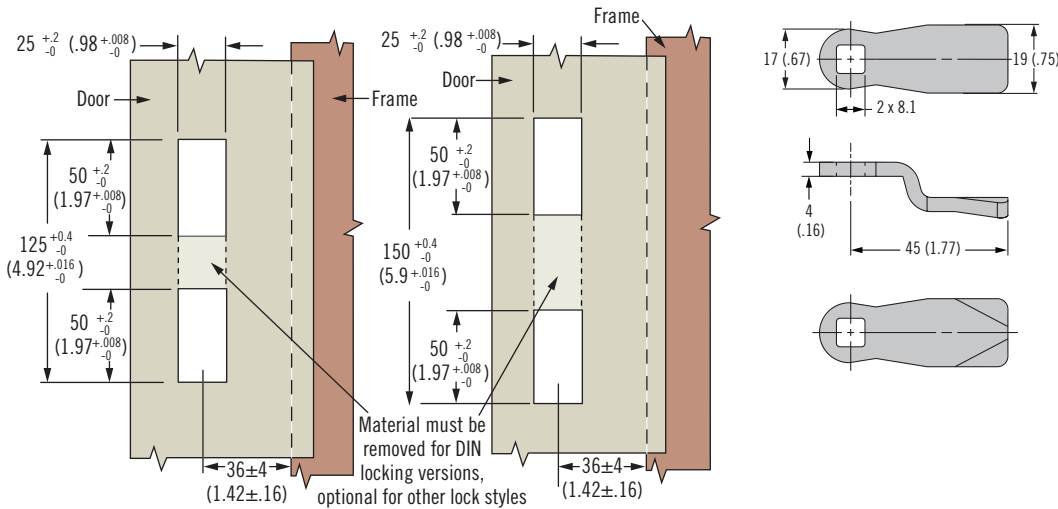
## Non-Sealed (H3-60 large shown)

(Also available in medium. See part number selection)



**Medium H3-50**

**Large H3-60**



**Part Number Selection**

For single point:

Order latch and cam separately (see page 186-187)

For multi-point order:

Latch and cam (if 3 point latching required)

Linear actuator and rod adaptors (see page 226)

Rods (see pages 230-233)

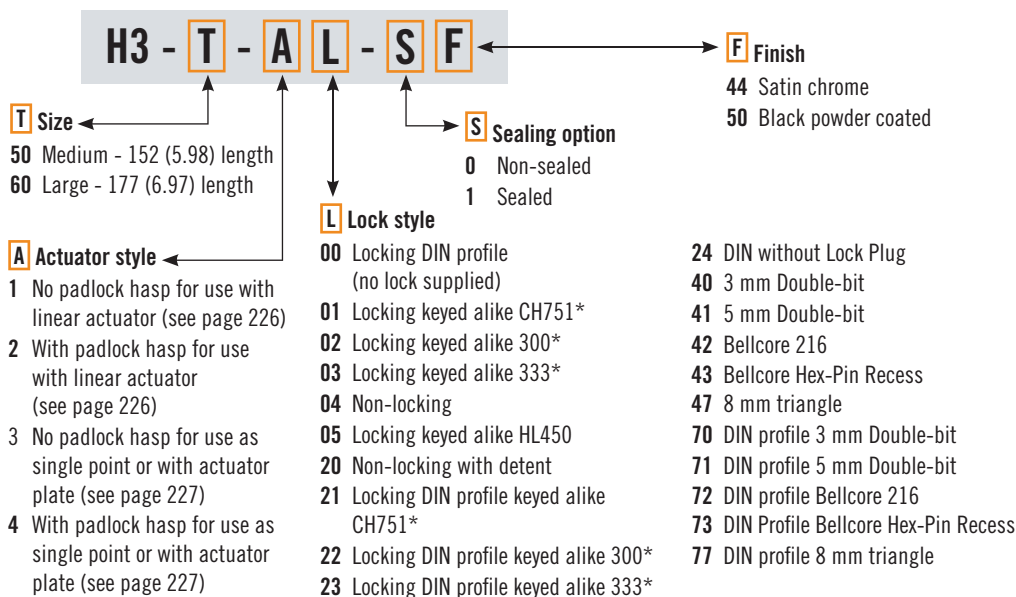
Rod guides (see pages 230-233)

**Note**

\*2 Overmolded keys supplied

Cam Part Number Table For Use With Linear Actuator Or Actuator Plate					
Grip With Linear Actuator	Grip With Actuator Plate	Part Number	Grip With Linear Actuator	Grip With Actuator Plate	Part Number
~	10.3 (.41)	E5-6107	36.9 (1.45)	26.3 (1.04)	E5-6115
~	12.3 (.48)	E5-6108	38.9 (1.53)	28.3 (1.11)	E5-6116
24.9 (.98)	14.3 (.56)	E5-6109	40.9 (1.61)	30.3 (1.19)	E5-6117
26.9 (1.06)	16.3 (.64)	E5-6110	42.9 (1.69)	32.3 (1.27)	E5-6118
28.9 (1.14)	18.3 (.72)	E5-6111	44.9 (1.76)	34.3 (1.35)	E5-6119
30.9 (1.22)	20.3 (.80)	E5-6112	46.9 (1.85)	36.3 (1.43)	E5-6120
32.9 (1.30)	22.3 (.88)	E5-6113	48.9 (1.93)	38.3 (1.51)	E5-6121
34.9 (1.37)	24.3 (.96)	E5-6114	50.9 (2.00)	40.3 (1.59)	E5-6122

**Latch Part Number (no cam)**



# H3 Linear Actuator

## Linear actuator and rod adaptor

- Linear actuator for H3 swinghandles
- Linear rod travel for limited space
- Suitable for left and right hand applications

### Material and Finish

Zinc alloy and steel, zinc plated

### To Select Linear actuator and Rod Adaptor:

For use with H3-50 and H3-60 swinghandles (see pages 224-225)  
Order linear actuator and rod adaptors separately (1 actuator and 2 adaptors required per latch)

### Accessories

Replacement rod adaptor retainer pin part number: H3-0-44778-01

### Part Number

Linear actuator and rod adaptors see table

For multi-point order:

Latch (see pages 224-225)

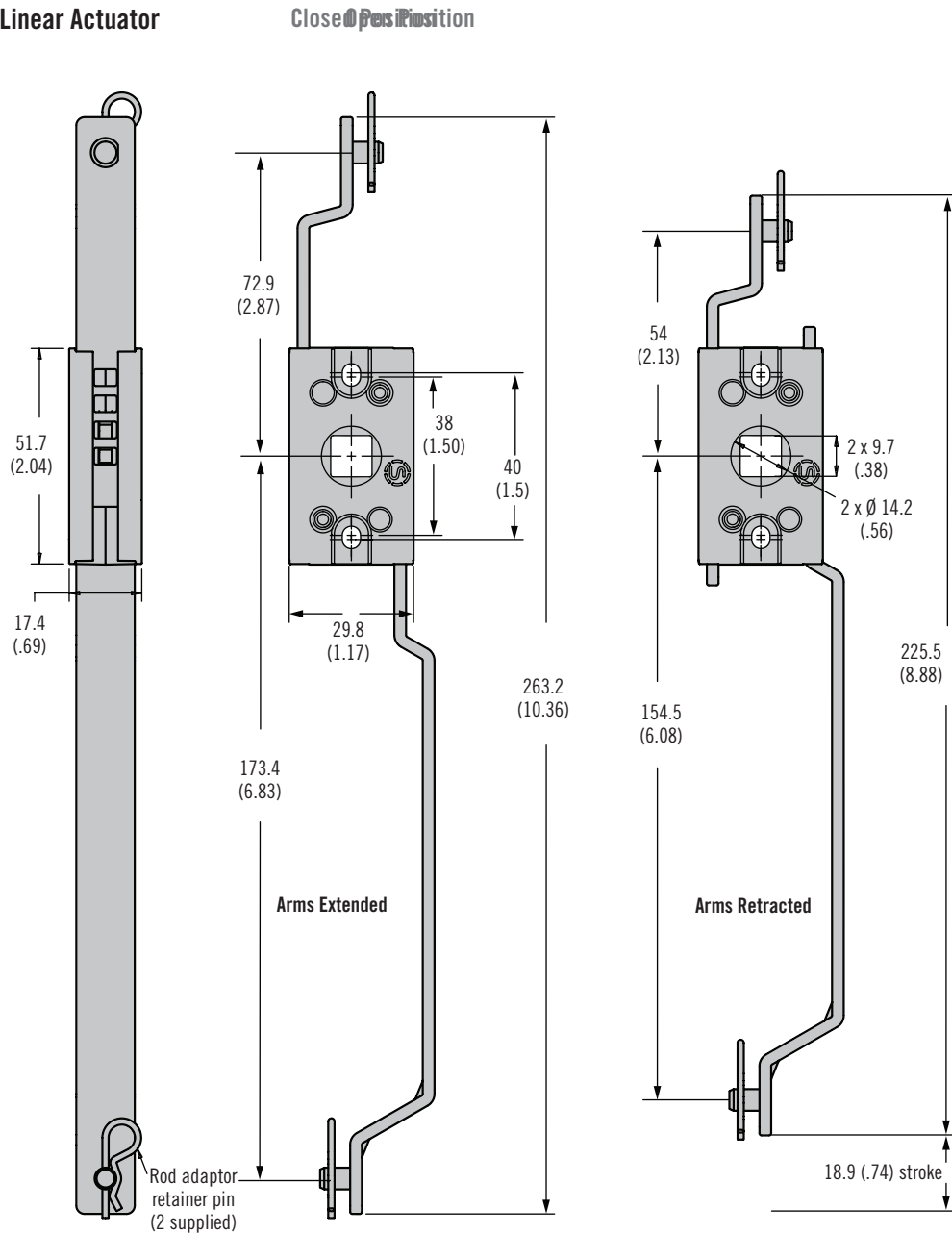
Cam (if 3 point latching required) (see page 225)

Linear actuator and rod adaptor (see table)

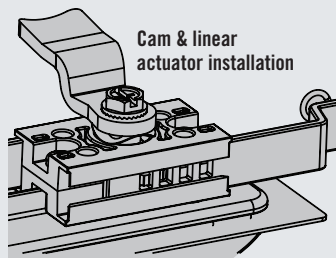
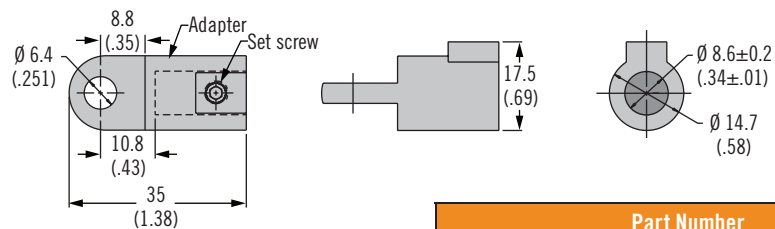
Rods (see pages 230-233)

Rod guides (if required) (see page 230)

### Linear Actuator



### Rod Adaptor



Part Number	
Linear actuator	H3-51-40
Rod adaptor	A5-92-201-31

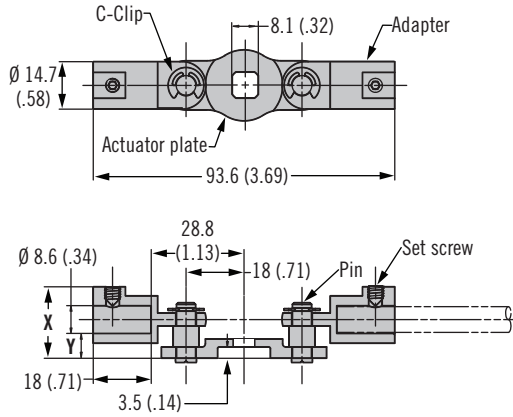
# A5 Modular System

## Actuator plates

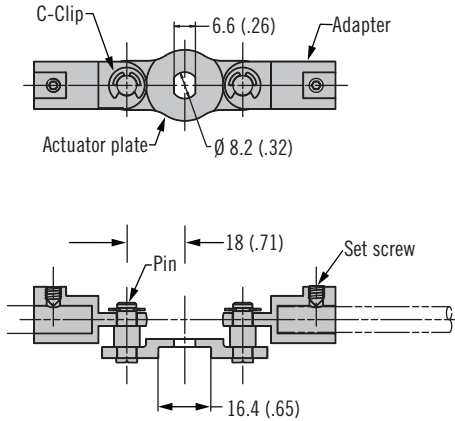


### Actuator Plate

#### A5-90-101-11

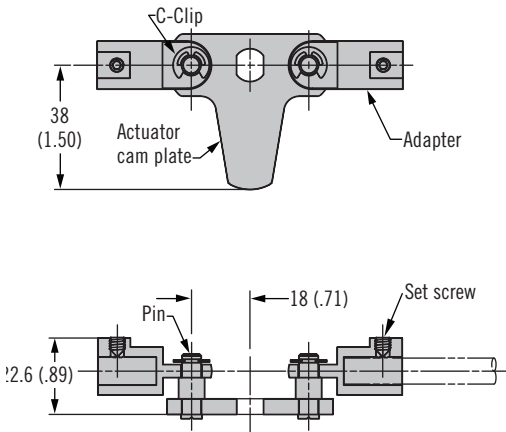


#### A5-90-301-11

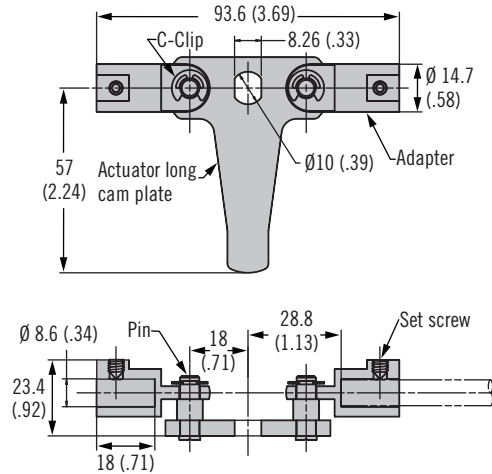


Part Number	X	Y
A5-90-101-11	22.2 (0.87)	4.7 (0.18)
A5-90-104-11	25.2 (0.99)	7.7 (0.30)
A5-90-401-11	22.6 (0.89)	5.1 (0.20)
A5-90-501-11	23.4 (0.92)	5.9 (0.23)

#### A5-90-401-11 (Short Cam)



#### A5-90-501-11 (Long Cam)



Actuator Plate Part Number						
Operating Latch Families						
	E5-5	E5-6	E5-9	H3-50	H3-60	62 Series M8 threaded shaft
	Page 152-168			Page 224-225		Page 133
Actuator Plate Part Number	A5-90-101-11			A5-90-301-11	A5-90-401-11	A5-90-501-11

- Modular actuators to suit multiple latch families using A5 modular rods

### Material and Finish

Zinc alloy, steel, zinc plated and stainless steel set screw

### To Select Correct Actuator:

1. Choose actuator plate to match latch family (one per latch required)
2. Order rods and rod guides from page 230

### Part Number

Actuator plate see table  
 Rods (see page 230)  
 Rod guides (see page 230)



# H3 Swinghandle System

Plastic · Large · Non-sealed

- Lightweight Glass filled nylon swinghandle system UL94-V0 rated
- DIN profile locking options
- Push or turn to close versions available

### Material and Finish

Handle: Glass filled nylon  
Cam: Steel, zinc plated

### Performance Details

Max. static load: 250 N (56 lbf)

### Keys

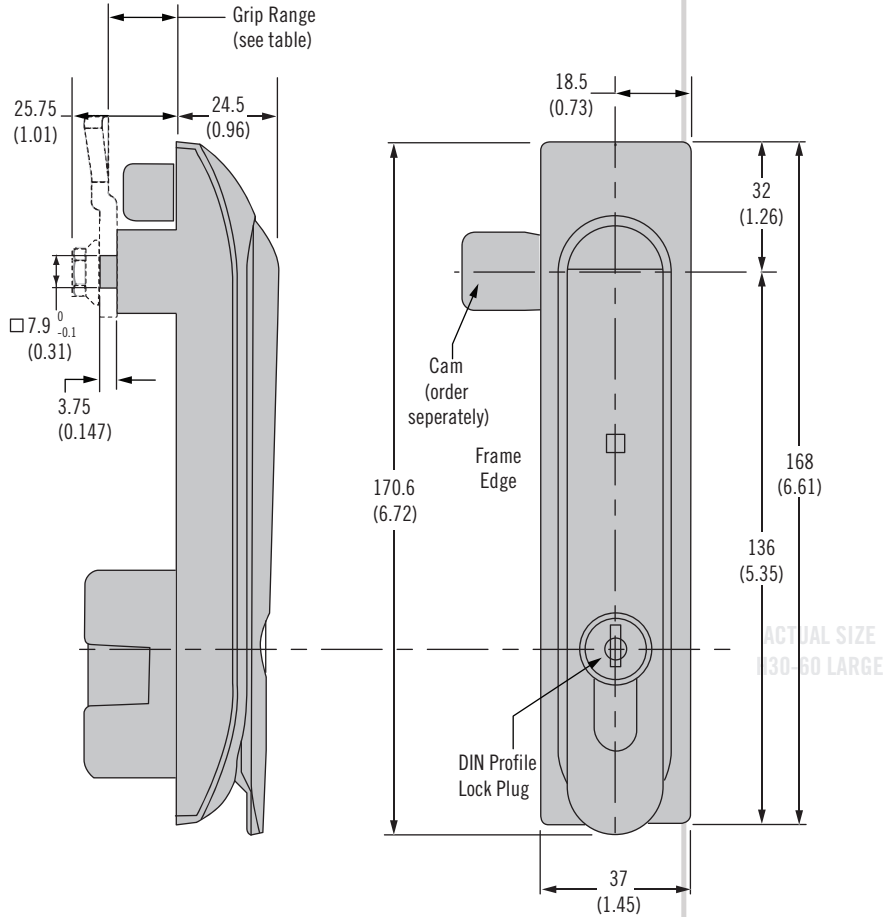
See page 120

### Notes

Electromechanical swinghandle available see pages 40-41

For metal version visit pages 186-187 and 224-225

## H3 Plastic Swinghandle



### Part Number Selection

For single point:  
Order latch and cam separately

For multi-point order:  
Latch and cam  
Linear actuator and rod adaptors  
Rods  
Rod guides

### Note

\*2 keys supplied

### Latch Part Number (no cam)

**T** Style

- 65 Push to close handle
- 66 Turn to close handle

**L** Lock style

- 00 Locking DIN profile (no lock supplied)
- 21 Locking DIN profile keyed alike CH751\*
- 22 Locking DIN profile keyed alike 300\*
- 23 Locking DIN profile keyed alike 333\*
- 70 DIN profile 3 mm Double-bit
- 71 DIN profile 5 mm Double-bit
- 72 DIN profile Bellcore 216
- 73 DIN Profile Bellcore Hex-Pin Recess
- 77 DIN profile 8 mm triangle

**H3 - T - 5 L - 071**

### Cam Part Number Table

Grip	Part Number (length = 38mm)	Part Number (length = 45mm)
15.5 (.61)	E5-6710	E5-6110
17.5 (.69)	E5-6711	E5-6111
19.5 (.77)	E5-6712	E5-6112
21.5 (.85)	E5-6713	E5-6113
23.5 (.93)	E5-6714	E5-6114
OTHER	Please contact Southco	

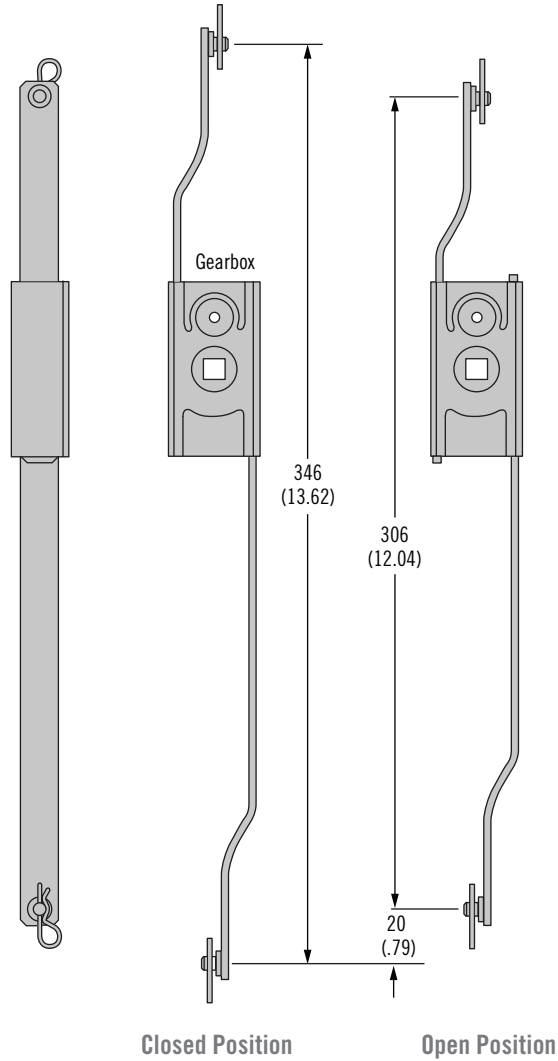
# H3 Linear Actuators

Linear actuators and rod adaptor for plastic H3 swinghandle system

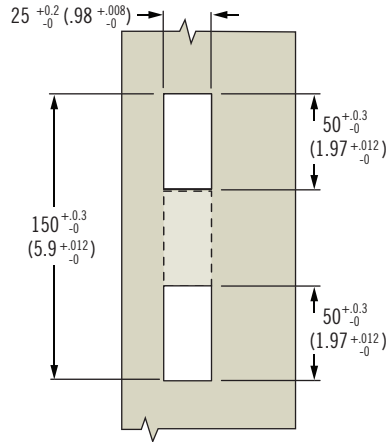


## Linear Actuator

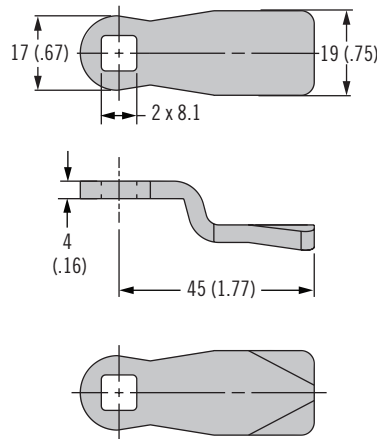
(Right Hand Mounting shown)



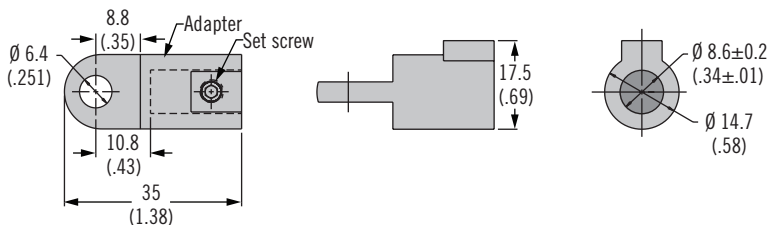
## Panel Preparation



## Cam



## Rod Adaptor



- Linear actuator for Plastic H3 swinghandles
- Linear rod travel for limited space
- Suitable for left and right hand applications
- Left and Right hand Actuators can be disassembled and reassembled in the opposite hand if required

## Material and Finish

Zinc alloy and steel, zinc plated

## To Select Linear actuator and Rod Adaptor:

For use with H3-65 and H3-66 swinghandles. Order linear actuator and rod adaptors separately (1 actuator and 2 adaptors required per latch)

## Accessories

Replacement rod adaptor retainer pin part number: H3-0-44778-01

## Part Number

Linear actuator and rod adaptors see table

For multi-point order: Latch Cam (if 3 point latching required) Linear actuator and rod adaptor (see table)

Rods, Rod guides

Part Number	
Linear actuator right hand mounting	H3-61-56-33
Linear actuator left hand mounting	H3-61-55-33
Rod adaptor	A5-92-201-31