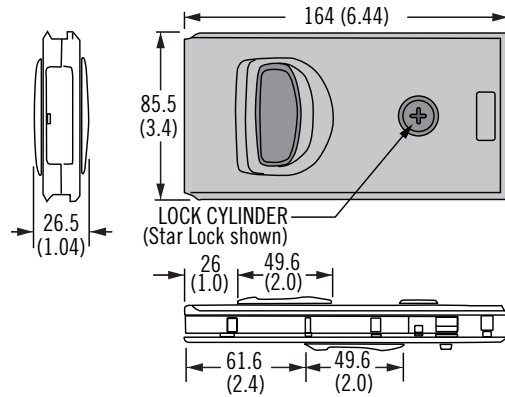
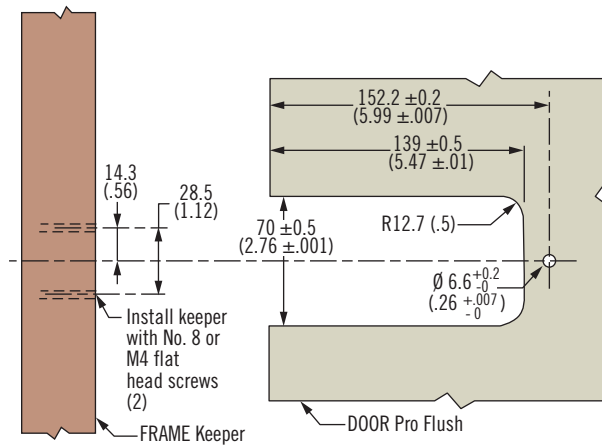


# MF ProFlush Entry Door Lock



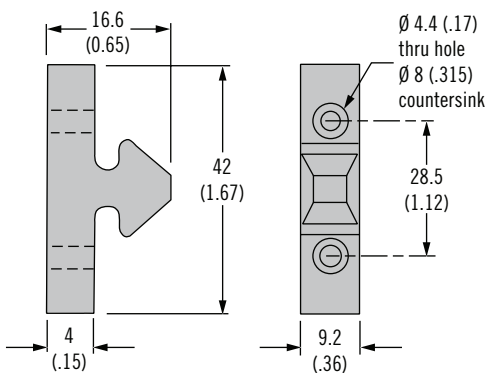
- Marine grade materials to prevent corrosion
- Sealed to help prevent water intrusion
- Available with two types of lock plugs
  - Star lock system, provides high security with a pin tumbler lock plug
  - 3 wafer flat key (MIM) lock, provides security with a stainless steel plug and has a reversible key

## Panel Preparation



## Material and Finish

Escutcheon: Stainless steel, highly polished  
 Handles: Polycarbonate/polyester, black  
 Privacy knob: Nylon, black



Pro Flush Latch*	Part Number
Star Lock	MF-05-530-24
Disc Tumbler Lock	MF-05-550-24

Accessories	Part Number
Spacer	MF-92-500-24
Mounting Tool	MF-90-400-10

\* Two grip friendly overmolded keys and a keeper supplied.

For spare keys please contact Southco



## MG Secure Entry Door Lock

- Offered in all corrosion-resistant materials, including Polyamide, Stainless Steel, and Brass
- Outside keylocking with interior sliding privacy lock
- Supplied with striker and two keys

### Material and Finish:

Finish: White or black polyamide case

### Accessories:

Locking: Optional black day key available.

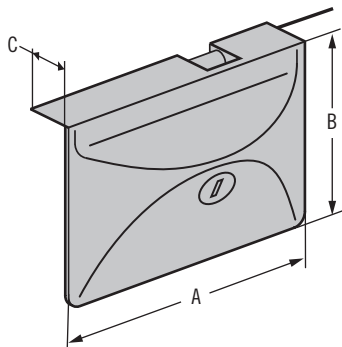
Spacer: Optional spacer available to accept a 10mm (3/8") door thickness.

Striker: Numerous strikers available in clear or black anodized aluminum or stainless steel.

For spare keys please contact Southco

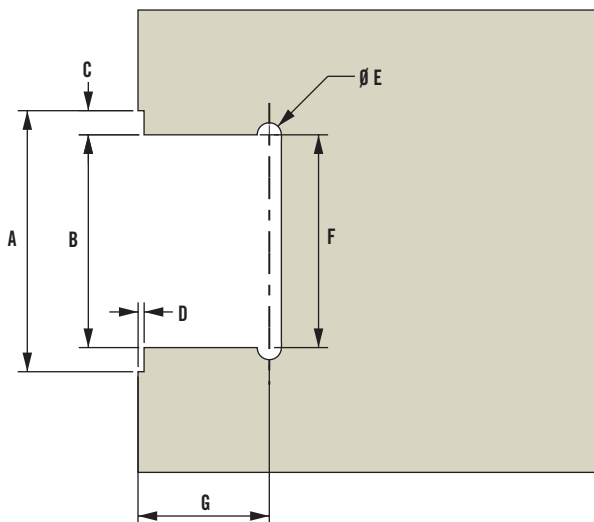
### Notes

For additional striker options and accessories please see page 621



	Imperial		Metric
	Nominal	Decimal	
<b>A</b>	3 27/64	3.43	87
<b>B</b>	2 11/64	2.17	55
<b>C</b>	15/32	.47	12

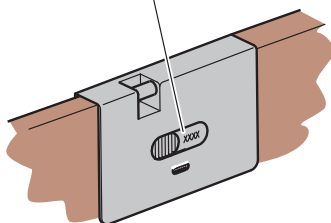
### Panel Preparations



	Imperial		Metric
	Nominal	Decimal	
<b>A</b>	3 13/32	3.41	86.5
<b>B</b>	2 25/32	2.78	70.5
<b>C</b>	15/16	.32	8
<b>D</b>	5/64	.08	2
<b>E</b>	5/16	.31	8
<b>F</b>	2 27/32	2.84	72
<b>G</b>	1 23/32	1.71	43.5

How to determine your key combination

Key # for ordering sparekey starting with 8\_\_ or 9\_\_



Secure Part Numbers		
	Black	White
With P-striker and two keys	MG-01-110-50	MG-01-110-70