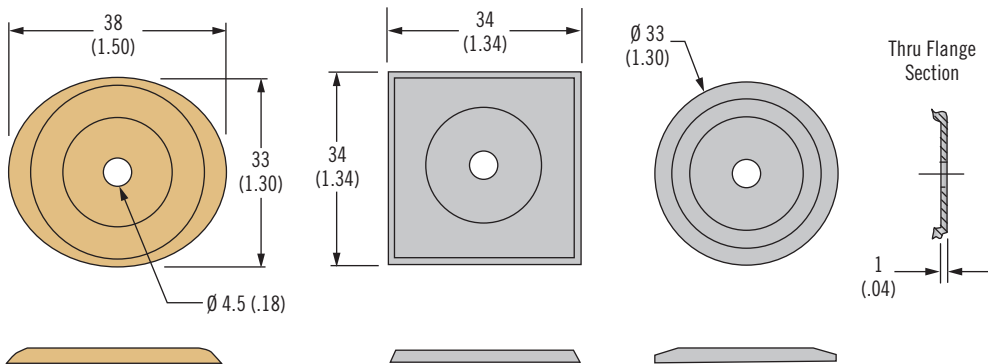
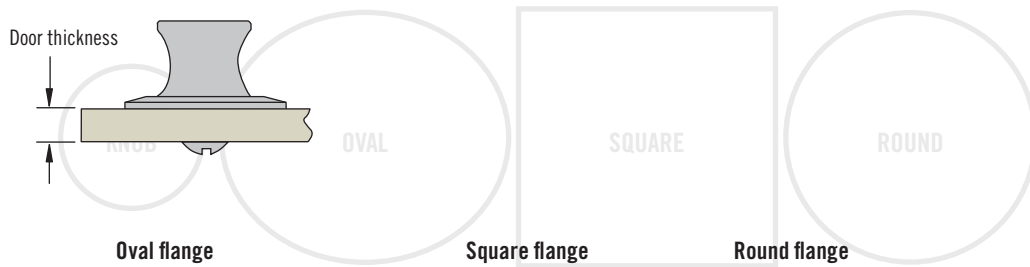
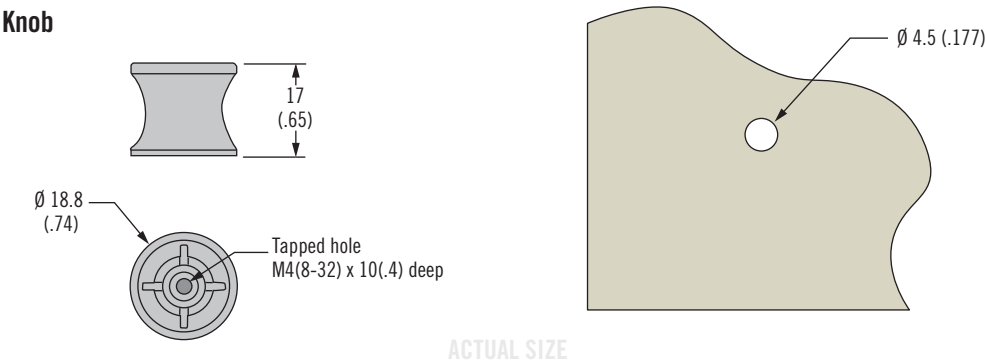


# MP Point Pull

## Surface mount



### Knob



- Stylish knob design
- Finish and flange shape flexibility

### Material and Finish

Zinc alloy, plated or powder coated

### Installation Notes

Screws not supplied.

Calculate screw length using the following formula:

Door thickness + 6 (.25)

Maximum tightening torque of mounting screws: 1.7 N·m (15 in·lbf)

Style matches MP push-to-close latch on page 262

### S Style

- 00 Imperial 8-32 mounting hole
- 40 Metric M4 mounting hole

### F Finish

- 10 Chrome, polished
- 20 Chrome, satin
- 30 Nickel, brushed
- 40 Diamond brass
- 50 Powder coated, black

### Knob Part Number

MP - 06 - 1 **S** - **F**

### Part Number Selection

Choose knob separately

### S Style

- 10 Oval flange
- 20 Square flange
- 30 Round flange

### F Finish

- 10 Chrome, polished
- 20 Chrome, satin
- 30 Nickel, brushed
- 40 Diamond brass
- 50 Powder coated, black

### Flange Part Number

MP - 06 - 1 **S** - **F**

### Part Number Selection