

ACCESS HARDWARE

MT Snappy Push-to-Close Panel Latch

B



The Snappy is a simple, efficient slam latch for hatches. It offers a built-in self-correcting feature that keeps the latch functioning properly, even if the deadbolt is forced out of its normal position.

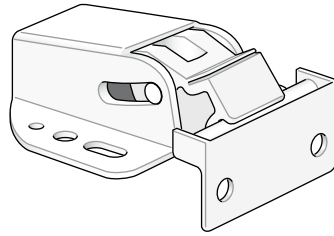
- All non-corrosive material
- Over-centre latching for vibration resistance
- Self adjusting pawl misalignment

Option:

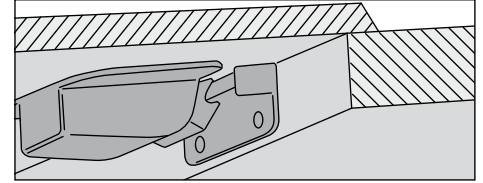
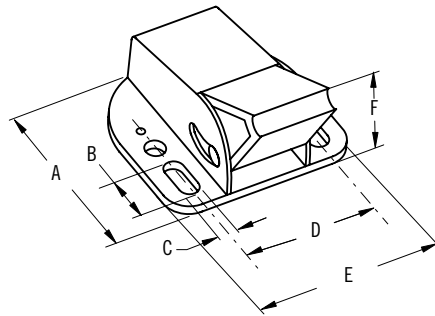
Available in white or brown nylon

	Imperial		Metric
	Nominal	Decimal	
A	1 25/64	1.38	35
B	11/32	0.35	9
C	5/32	0.17	4
D	1 7/64	1.09	28
E	1 15/32	1.47	37
F	5/16	0.94	24
G	1/8	0.14	3.5
H	1 3/16	1.18	30
I	25/32	0.78	20
J	47/64	0.75	19
K	11/32	0.34	8.6
L	25/32	0.77	19.5
M	35/64	0.54	13.7

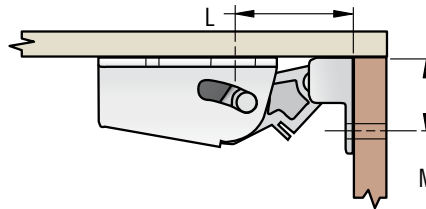
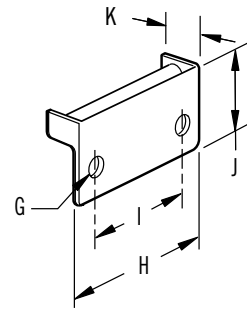
Colour	Part Number
White	MT-01-10-7
Brown	MT-01-10-3



Catch

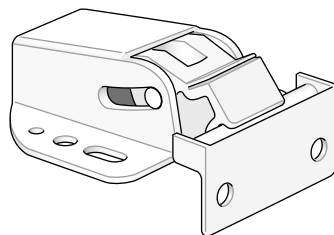


Keeper



Operation

Closed



Open

