



P1 Flush Pull

Low profile · Lift or pull · Single hole mount

- Easy installation
- Deep pocket

Material and Finish

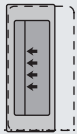
Pull and cup: ABS plastic, black
Screws: Steel, zinc plated

Performance Details

Maximum static load:
Lifting / pulling: 1300 N (300 lbf)



Pushing / sliding: 450 N (100 lbf)



Flammability rating:
UL94-HB or UL94-V0 (See table)

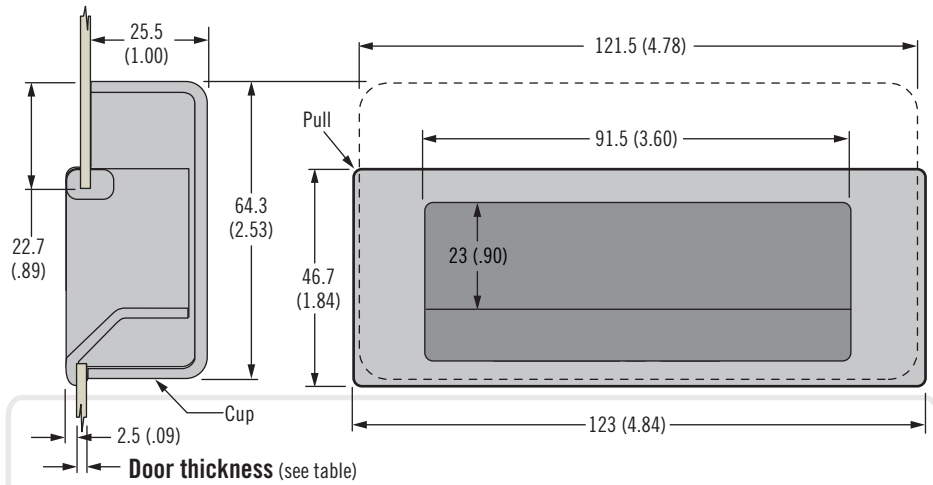
Operating temperature range:
-50°C (-60°F) to 60°C (140°F)

Installation Notes

Mounting screws supplied.
Door thickness less than the minimum for each range allows some movement of the pull.
Maximum torque for mounting screws is 0.5 N•m (5 in•lbf)

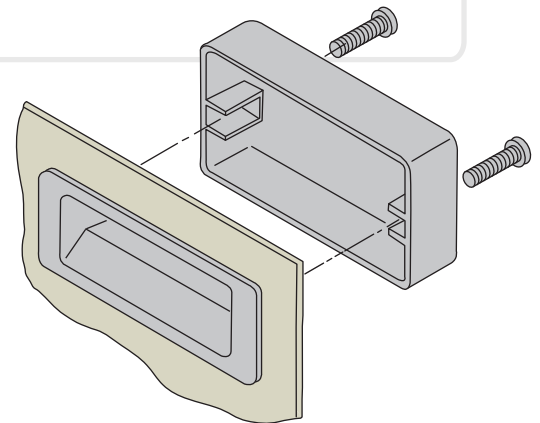
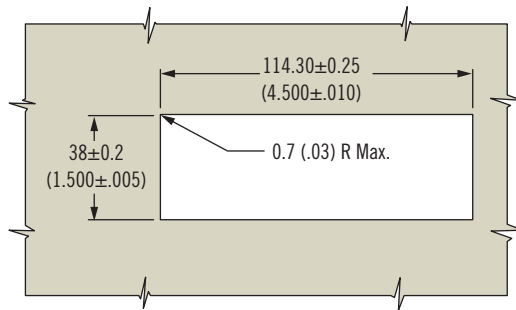
Part Number

See table



ACTUAL SIZE

Two No. 6 BT thread forming screws (supplied)



Door Thickness Range		Part Number	
Min.	Max.	UL94-HB	UL94-V0
1.0 (.040)	1.8 (.070)	P1-30-101-11	P1-31
1.8 (.070)	3.3 (.130)	P1-30-103-11	P1-33
3.3 (.130)	4.8 (.190)	P1-30-105-11	P1-35
4.8 (.190)	6.3 (.250)	P1-30-107-11	P1-37