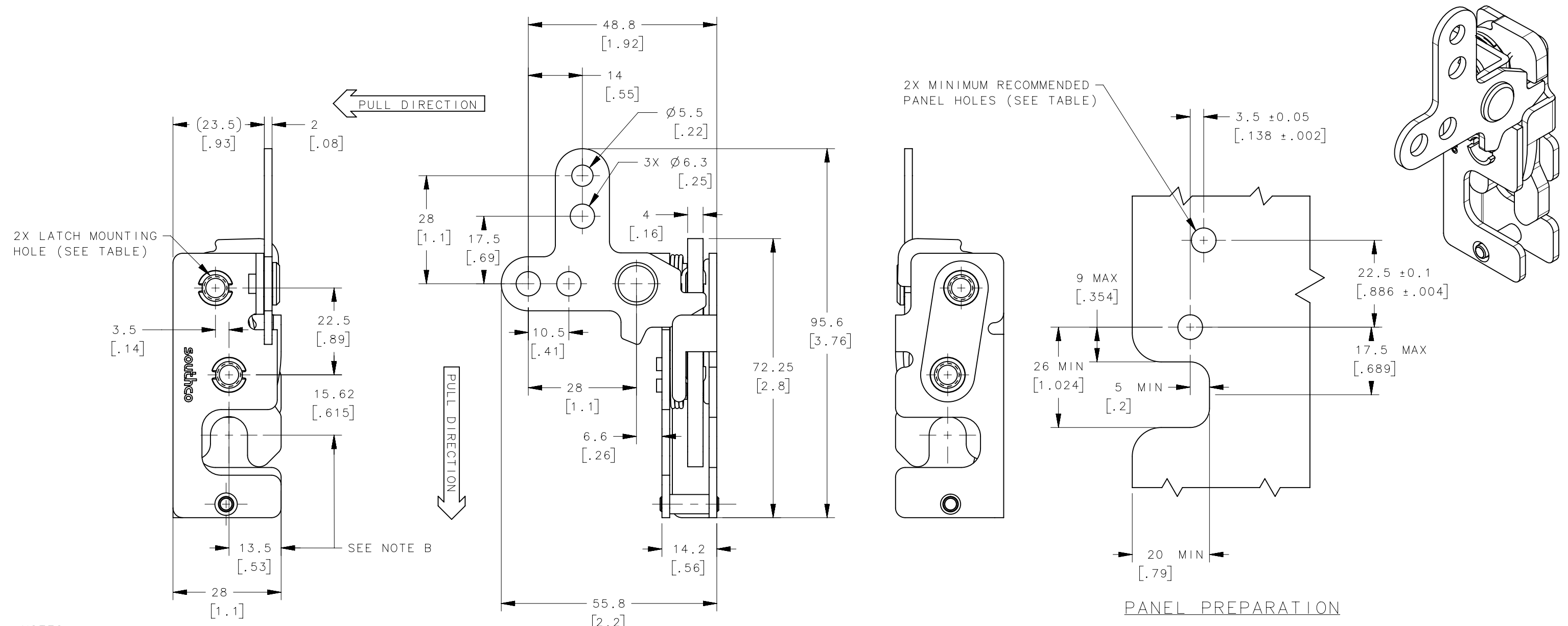


REVISION HISTORY			
REV	DATE	BY	DESCRIPTION
C	27JUL2021	KSH/HPD	PRN: P2021-1527



NOTES:

A. MATERIAL AND FINISH:

- HOUSING, LEVER AND INTERNAL COMPONENTS:  
MATERIAL - STEEL  
-10 ZINC PLATED, BRIGHT CHROMATE  
-77 ZINC NICKEL, BRIGHT CHROMATE
- PAWL AND TRIGGER:  
MATERIAL - HARDENED STEEL  
-10 ZINC PLATED, BRIGHT CHROMATE  
-77 ZINC NICKEL, BRIGHT CHROMATE
- SPRING: STAINLESS STEEL, PASSIVATED

B. THESE DIMENSIONS REQUIRED FOR MOUNTING STRIKER BOLT.

C. Ø 6.3 (.25) LEVER HOLES USE OPTIONAL CABLE RETAINER R4-0-43922 SOLD SEPARATELY.

R4-10-20-301-10	Ø 7.2mm THRU	Ø 7.6 [.299]	SEE NOTE A	SEE NOTE A
R4-10-21-301-10	1/4-20 THREAD	Ø 6.8 [.268]		
R4-10-22-301-10	M6 THREAD	Ø 6.4 [.252]		
ASSEMBLY PART NUMBER	LATCH MOUNTING HOLE	MINIMUM RECOMMENDED PANEL HOLE	MATERIAL	FINISH
THIRD ANGLE PROJECTION				
MILLIMETERS [IN]				
TOLERANCES UNLESS OTHERWISE NOTED		DESCRIPTION R4 MINI ROTARY LATCH TWO POINT ACTUATION - LEFT HAND		
ALL DIMENSIONS WITHOUT TOLERANCES ARE FOR REFERENCE ONLY.		SIZE B	SYSTEM NX	DWG NO. J-R4-10-20-301
PER ASME Y14.5M-1994		DRAWN BY ACH/JCK	DATE 09DEC2010	SCALE 1:1 SHEET 1 OF 2

PROPRIETARY ITEM  
EXCEPT FOR USES EXPRESSLY GRANTED  
IN WRITING, INFORMATION DISCLOSED  
HEREON IS CONFIDENTIAL AND ALL  
RIGHTS, PATENT AND OTHERWISE,  
ARE RESERVED BY SOUTHCO, INC.

6

5

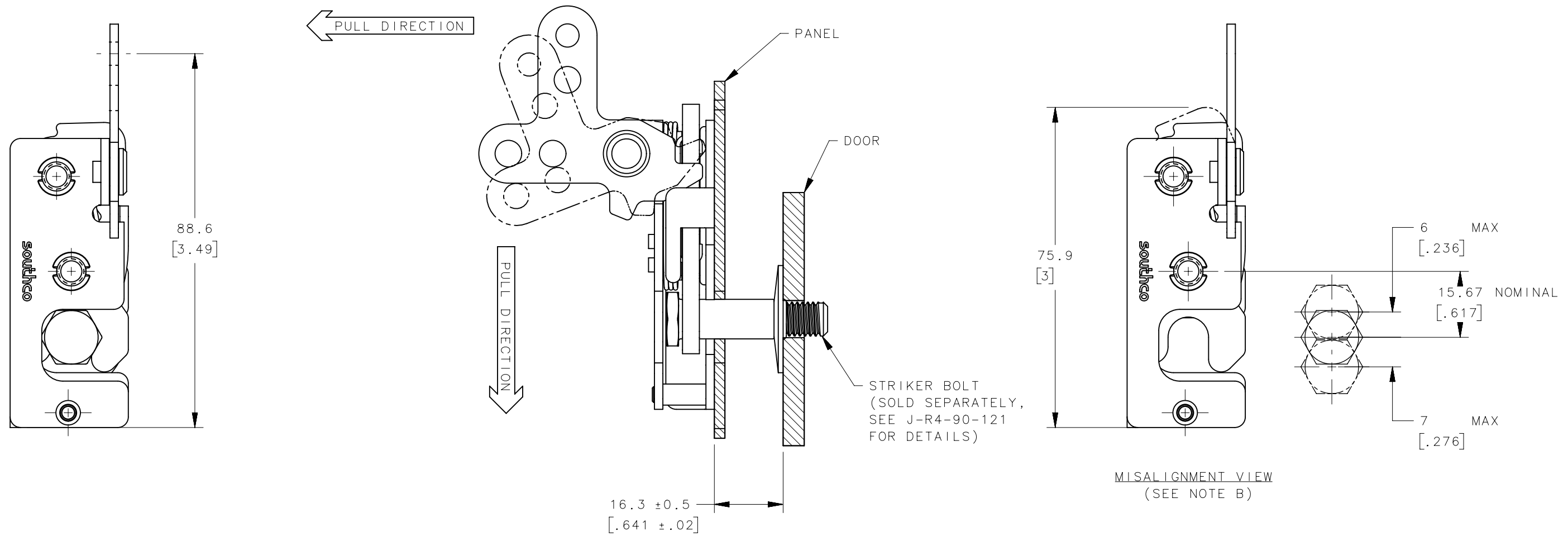
4

3

2

1

REVISION HISTORY			
REV	DATE	BY	DESCRIPTION
C	27JUL2021	KSH/HPD	PRN: P2021-1527



NOTES:

- A. THE TOLERANCE BETWEEN THE LATCH AND STRIKER BOLT ASSUMES A NON-RIGID DOOR INSTALLATION THAT WILL ALLOW THE DOOR TO MOVE INTO THE NOMINAL POSITION DURING LATCHING. RIGID DOORS MUST HAVE THE STRIKER INSTALLED PER THE PANEL PREPARATION RECOMMENDATION.
- B. THE MISALIGNMENT VIEW ASSUMES THE LATCH IS CONNECTED TO A PERFECTLY RIGID DOOR AND HINGE; THEREFORE, THERE IS NO DOOR AND/OR HINGE SLACK ASSOCIATED WITH THESE DIMENSIONS. THE MISALIGNMENT VIEW DOES NOT TAKE FLEXING OF THE STRIKER BOLT INTO ACCOUNT.

	THIRD ANGLE PROJECTION	<b>southco</b> CONNECT • CREATE • INNOVATE	
	MILLIMETERS [IN]		
	TOLERANCES UNLESS OTHERWISE NOTED	DESCRIPTION R4 MINI ROTARY LATCH TWO POINT ACTUATION - LEFT HAND	
	ALL DIMENSIONS WITHOUT TOLERANCES ARE FOR REFERENCE ONLY.	SIZE B	SYSTEM NX
	PER ASME Y14.5M-1994	DWG NO. J-R4-10-20-301	DATE 09DEC2010
PROPRIETARY ITEM EXCEPT FOR USES EXPRESSLY GRANTED IN WRITING, INFORMATION DISCLOSED HEREON IS CONFIDENTIAL AND ALL RIGHTS, PATENT AND OTHERWISE, ARE RESERVED BY SOUTHCO, INC.	SCALE 1:1	DRAWN BY ACH/JCK	SHEET 2 OF 2

6

5

4

3

2

1