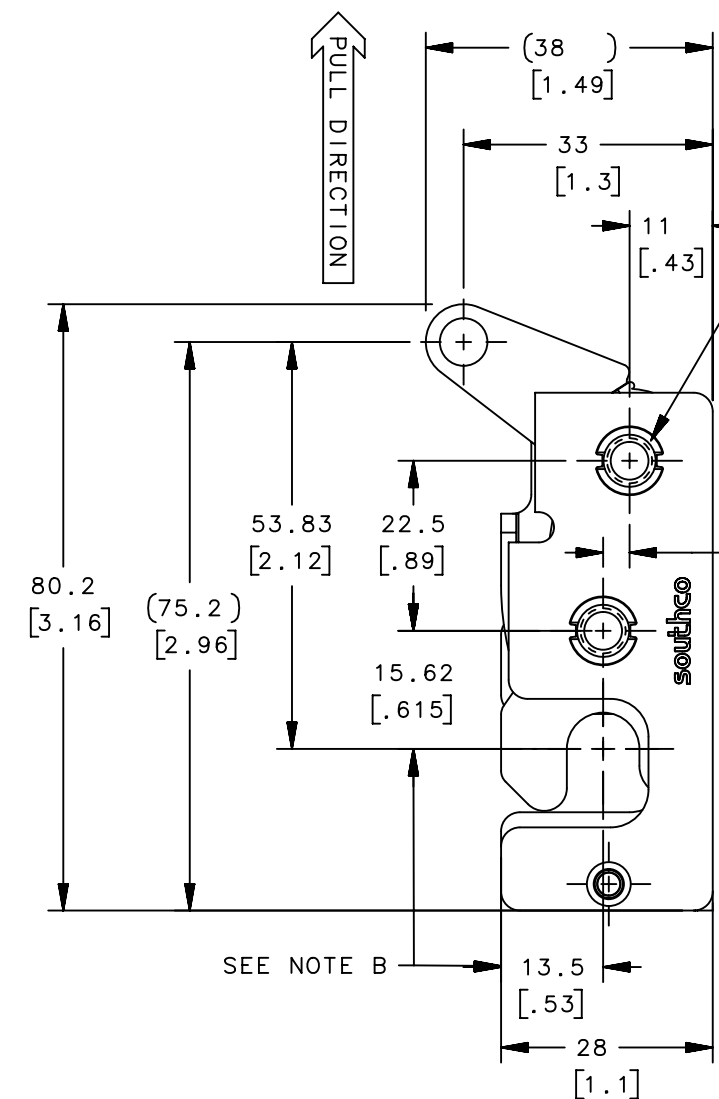
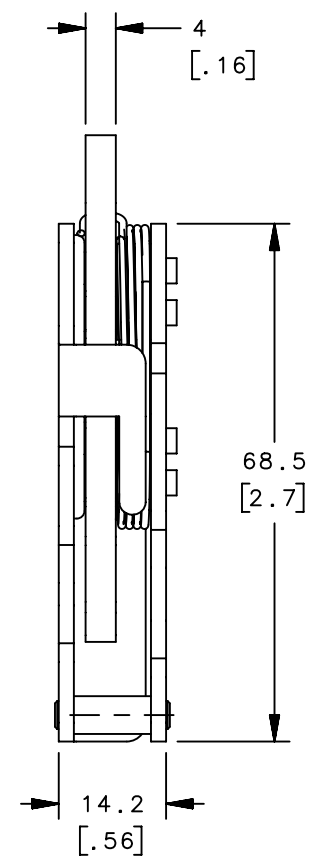
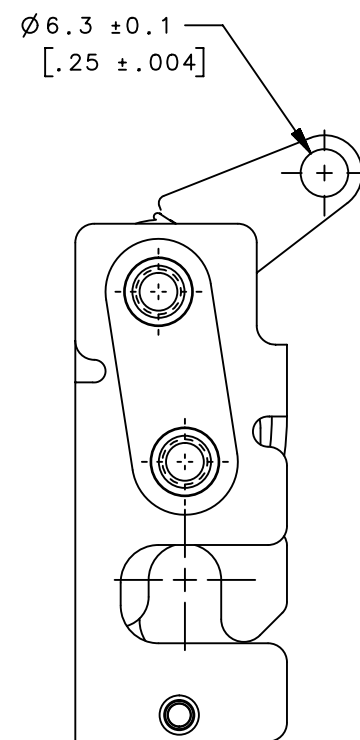
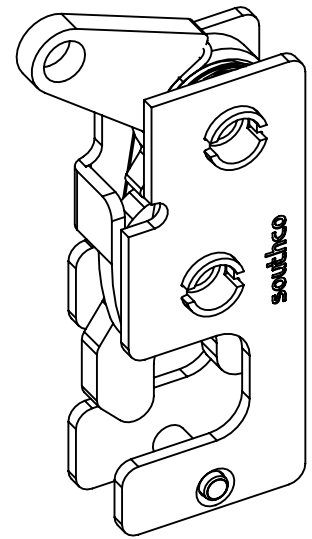
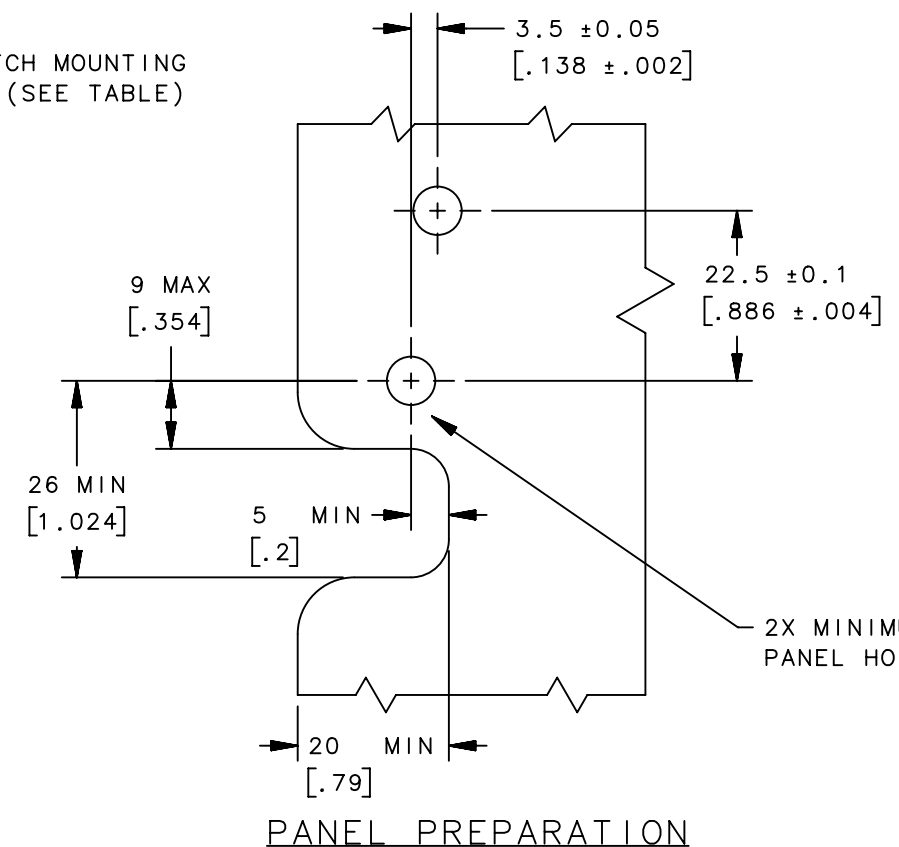


REVISION HISTORY			
REV	DATE	BY	DESCRIPTION
1	18NOV2020	CMS/CLB	PRN: P2020-2126



2X LATCH MOUNTING HOLES (SEE TABLE)



SCALE 1:1

2X MINIMUM RECOMMENDED PANEL HOLES (SEE TABLE)

NOTES:

A. MATERIAL AND FINISH:

- HOUSING, LEVER AND INTERNAL COMPONENTS:
MATERIAL - STEEL
-10 ZINC PLATED, BRIGHT CHROMATE
-77 ZINC NICKEL, BRIGHT CHROMATE
-15 ZINC NICKEL, BLACK
- PAWL AND TRIGGER:
MATERIAL - HARDENED STEEL
-10 ZINC PLATED, BRIGHT CHROMATE
-77 ZINC NICKEL, BRIGHT CHROMATE
-15 ZINC NICKEL, BLACK
- SPRING:
MATERIAL - STAINLESS STEEL
-10 PASSIVATED
-77 PASSIVATED
-15 ZINC NICKEL, BLACK

B. THESE DIMENSIONS REQUIRED FOR MOUNTING STRIKER BOLT.

ASSEMBLY PART NUMBER	LATCH MOUNTING HOLE	MINIMUM RECOMMENDED PANEL HOLE	FINISH
R4-10-10-601-15	Ø 7.2mm THRU	Ø 7.6 [.299]	SEE NOTE A
R4-10-11-601-15	1/4-20 THREAD	Ø 6.8 [.268]	
R4-10-12-601-15	M6 THREAD	Ø 6.4 [.252]	
R4-10-10-601-77	Ø 7.2mm THRU	Ø 7.6 [.299]	
R4-10-11-601-77	1/4-20 THREAD	Ø 6.8 [.268]	
R4-10-12-601-77	M6 THREAD	Ø 6.4 [.252]	
R4-10-10-601-10	Ø 7.2mm THRU	Ø 7.6 [.299]	
R4-10-11-601-10	1/4-20 THREAD	Ø 6.8 [.268]	
R4-10-12-601-10	M6 THREAD	Ø 6.4 [.252]	

THIRD ANGLE PROJECTION				
	TOLERANCES UNLESS OTHERWISE NOTED		DESCRIPTION	
ALL DIMENSIONS WITHOUT TOLERANCES ARE FOR REFERENCE ONLY.		R4 MINI ROTARY LATCH WITH TRIGGER HOLE - RIGHT HAND		
PROPRIETARY ITEM EXCEPT FOR USES EXPRESSLY GRANTED IN WRITING, INFORMATION DISCLOSED HEREON IS CONFIDENTIAL AND ALL RIGHTS, PATENT AND OTHERWISE, ARE RESERVED BY SOUTHCO, INC.	PER ASME Y14.5M-1994	SIZE B	SYSTEM NX	DWG NO. J-R4-10-10-601
		DRAWN BY ACH/JCK	DATE 10NOV2010	SCALE 1:1 SHEET 1 OF 3

6

5

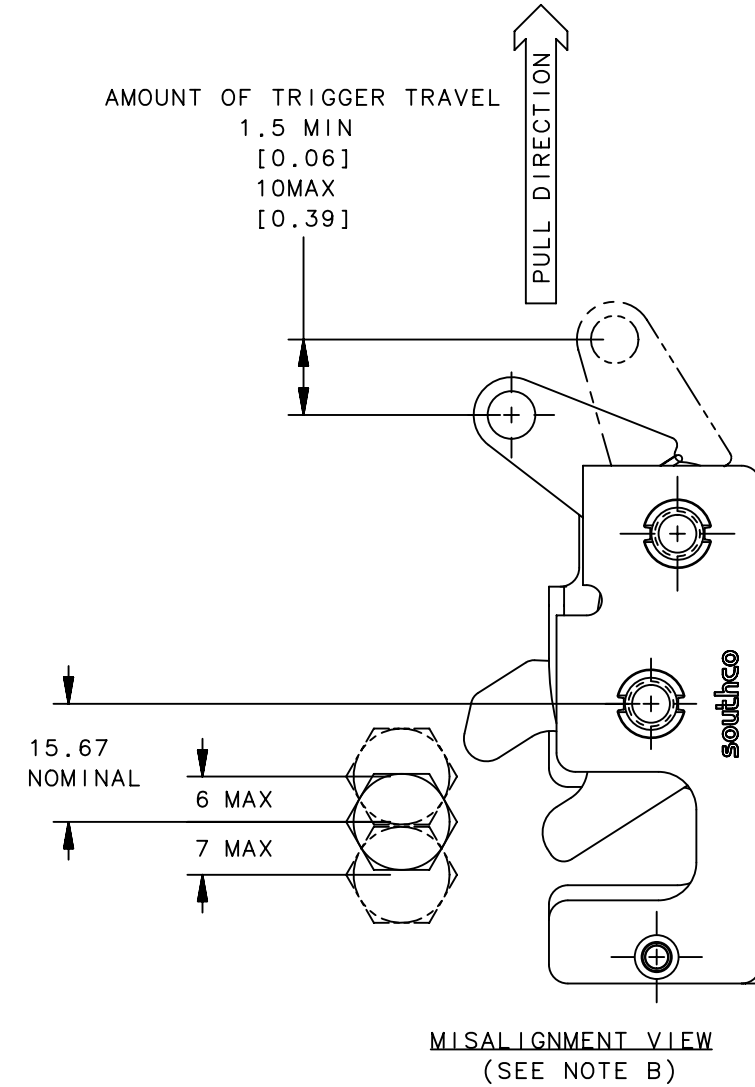
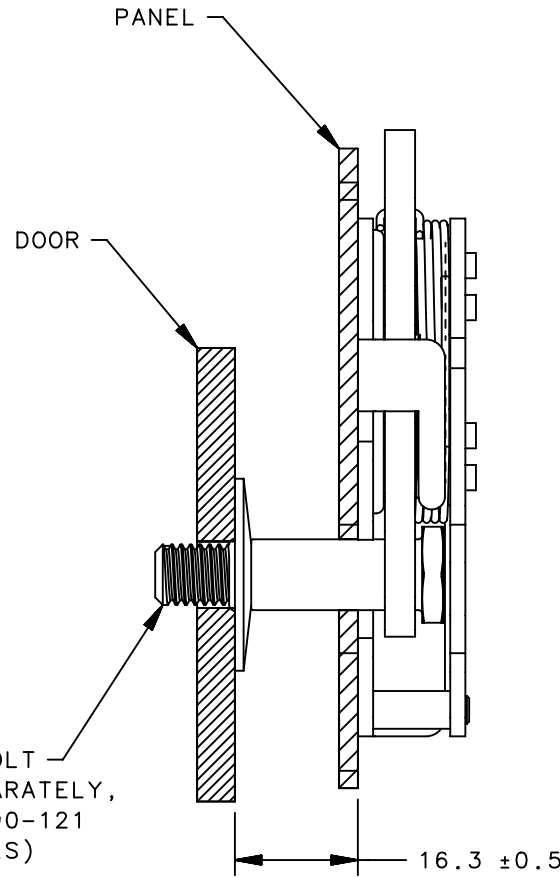
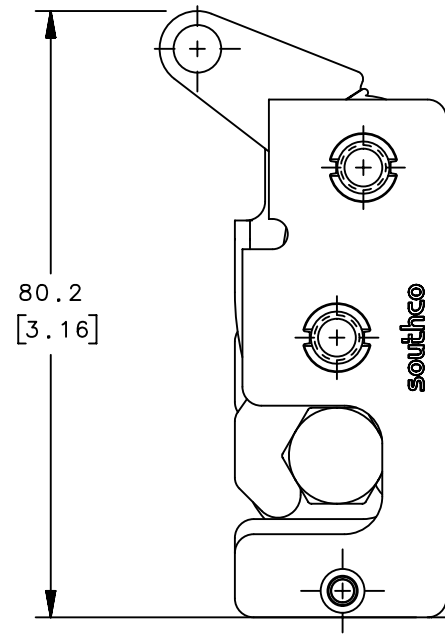
4

3

2

1

REVISION HISTORY			
REV	DATE	BY	DESCRIPTION
1	18NOV2020	CMS/CLB	PRN: P2020-2126



ASSEMBLY R4-10-10-601-10 SHOWN

NOTES:

- A. THE TOLERANCE BETWEEN THE LATCH AND STRIKER BOLT ASSUMES A NON-RIGID DOOR INSTALLATION THAT WILL ALLOW THE DOOR TO MOVE INTO THE NOMINAL POSITION DURING LATCHING. RIGID DOORS MUST HAVE THE STRIKER INSTALLED PER THE PANEL PREPARATION RECOMMENDATION.
- B. THE MISALIGNMENT VIEW ASSUMES THE LATCH IS CONNECTED TO A PERFECTLY RIGID DOOR AND HINGE; THEREFORE, THERE IS NO DOOR AND/OR HINGE SLACK ASSOCIATED WITH THESE DIMENSIONS. THE MISALIGNMENT VIEW DOES NOT TAKE FLEXING OF THE STRIKER BOLT INTO ACCOUNT.

	THIRD ANGLE PROJECTION			
	MILLIMETERS [IN]			
	TOLERANCES UNLESS OTHERWISE NOTED	DESCRIPTION		
	ALL DIMENSIONS WITHOUT TOLERANCES ARE FOR REFERENCE ONLY.	R4 MINI ROTARY LATCH WITH TRIGGER HOLE - RIGHT HAND		
	PROPRIETARY ITEM	SIZE	SYSTEM	DWG NO.
	EXCEPT FOR USES EXPRESSLY GRANTED IN WRITING, INFORMATION DISCLOSED HEREON IS CONFIDENTIAL AND ALL RIGHTS, PATENT AND OTHERWISE, ARE RESERVED BY SOUTHCO, INC.	B	NX	J-R4-10-10-601
	PER ASME Y14.5M-1994	DRAWN BY	DATE	SCALE
		ACH/JCK	10NOV2010	1:1
				SHEET 2 OF 3

6

5

4

3

2

1

6

5

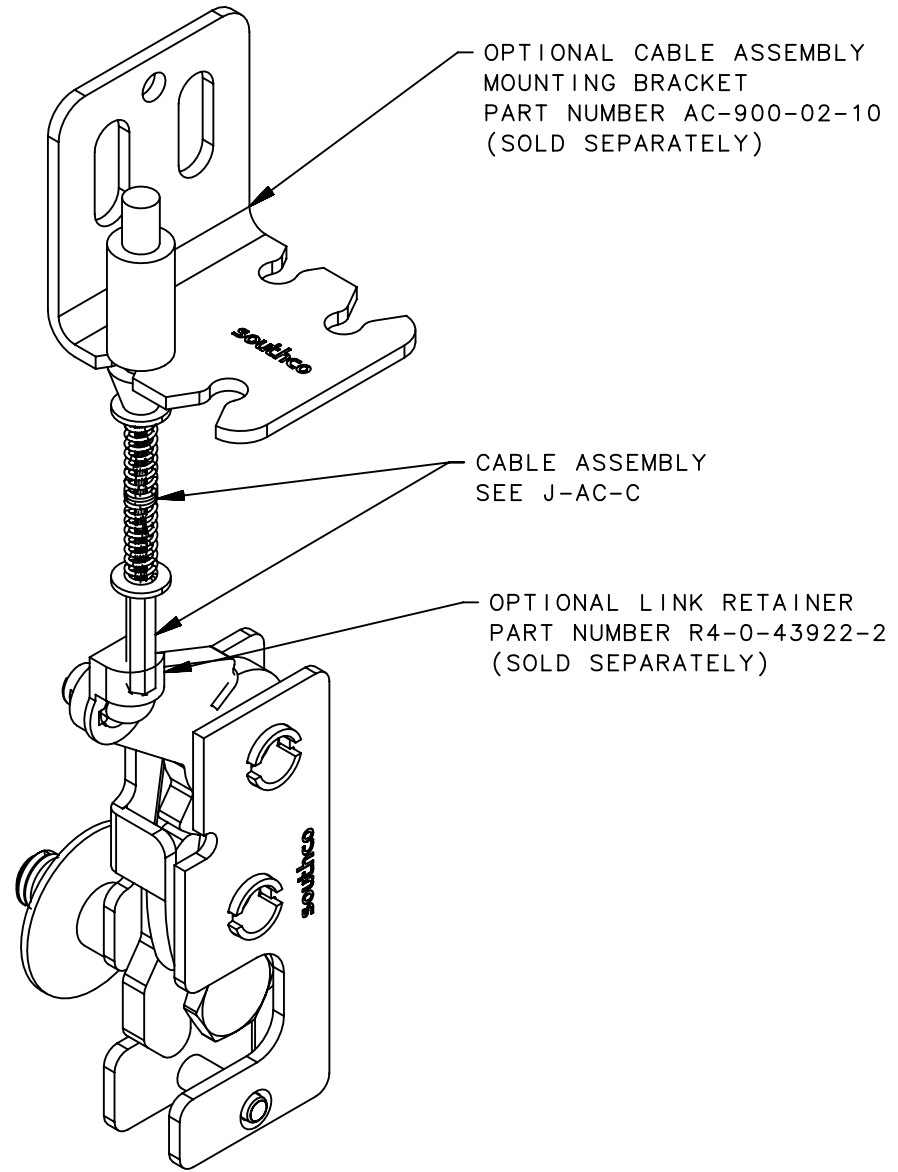
4

3

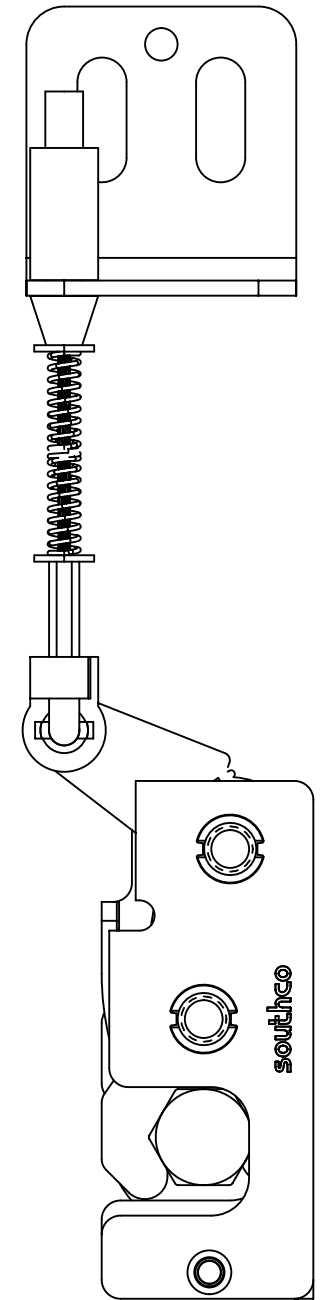
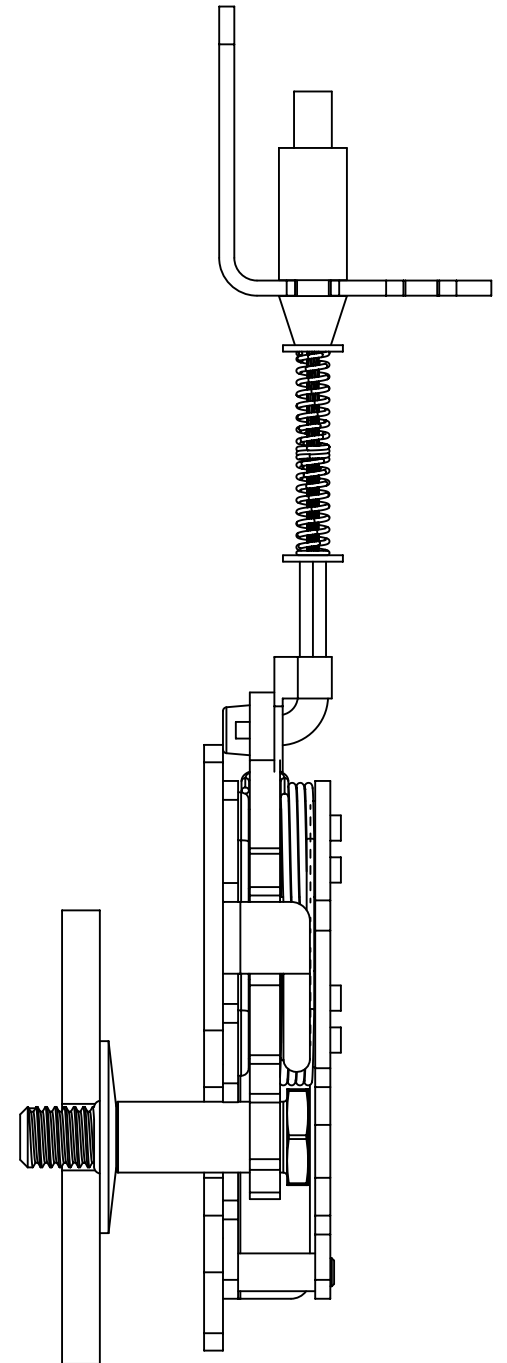
2

1

REVISION HISTORY			
REV	DATE	BY	DESCRIPTION
1	18NOV2020	CMS/CLB	PRN: P2020-2126



ASSEMBLY R4-10-10-601-10 SHOWN



THIRD ANGLE PROJECTION		southco [®] CONNECT • CREATE • INNOVATE	
MILLIMETERS [IN]			
TOLERANCES UNLESS OTHERWISE NOTED		DESCRIPTION R4 MINI ROTARY LATCH WITH TRIGGER HOLE - RIGHT HAND	
ALL DIMENSIONS WITHOUT TOLERANCES ARE FOR REFERENCE ONLY.		SIZE B	SYSTEM NX
PER ASME Y14.5M-1994		DWG NO. J-R4-10-10-601	SCALE 1:1
PROPRIETARY ITEM <small>EXCEPT FOR USES EXPRESSLY GRANTED IN WRITING, INFORMATION DISCLOSED HEREON IS CONFIDENTIAL AND ALL RIGHTS, PATENT AND OTHERWISE, ARE RESERVED BY SOUTHCO, INC.</small>		DRAWN BY ACH/JCK	DATE 10NOV2010
		SCALE 1:1	SHEET 3 OF 3

6

5

4

3

2

1