

6

5

4

3

2

1

REVISION HISTORY			
REV	DATE	BY	DESCRIPTION
C	28JUL2021	KSH/HPD	PRN: P2021-1527

D

D

C

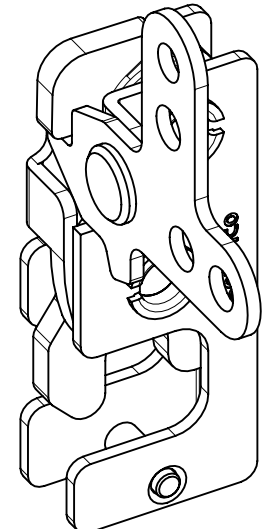
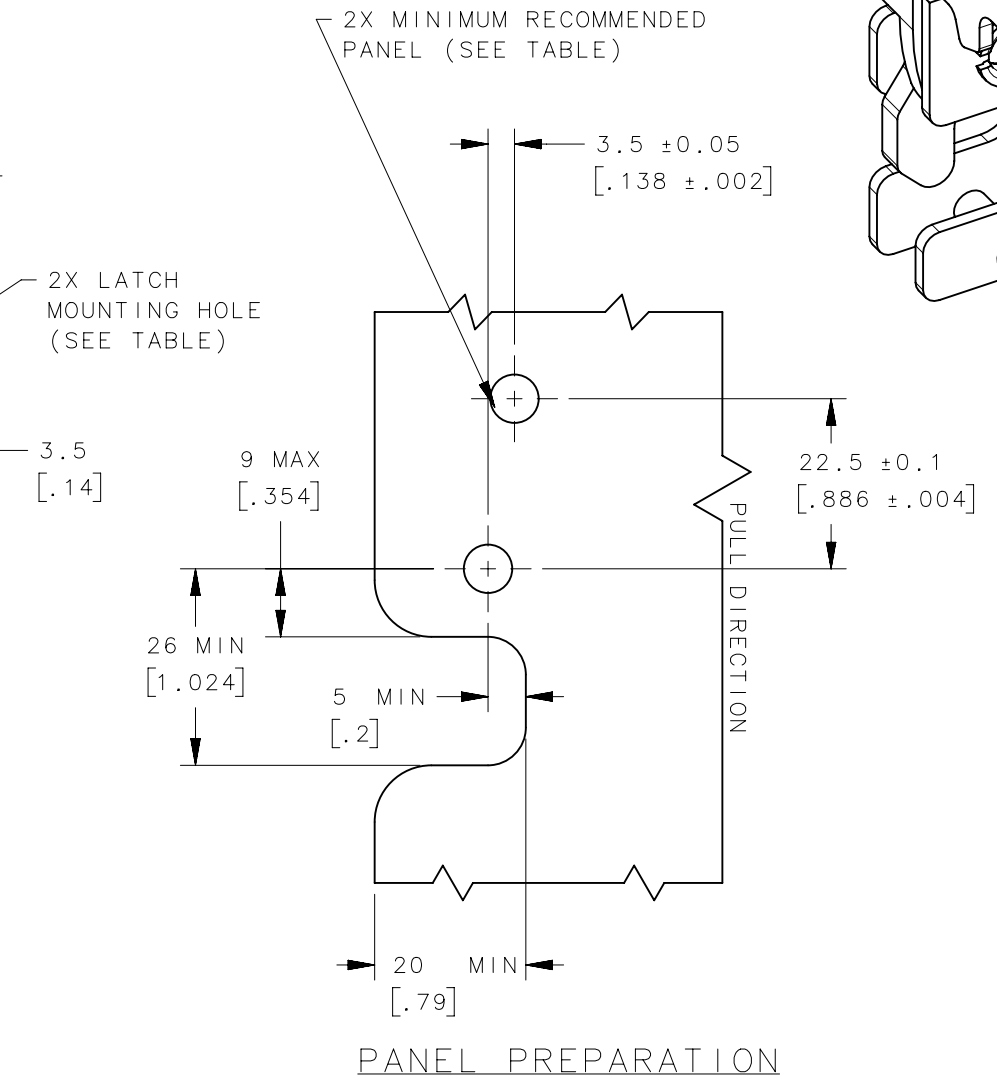
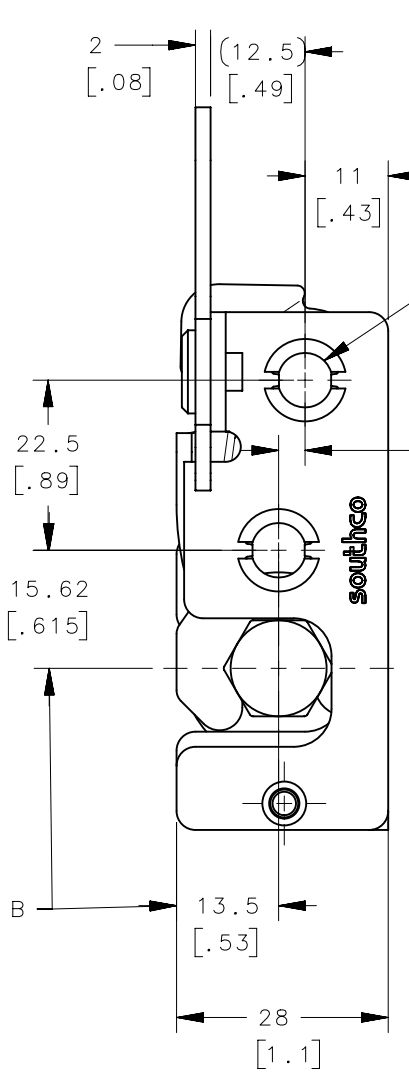
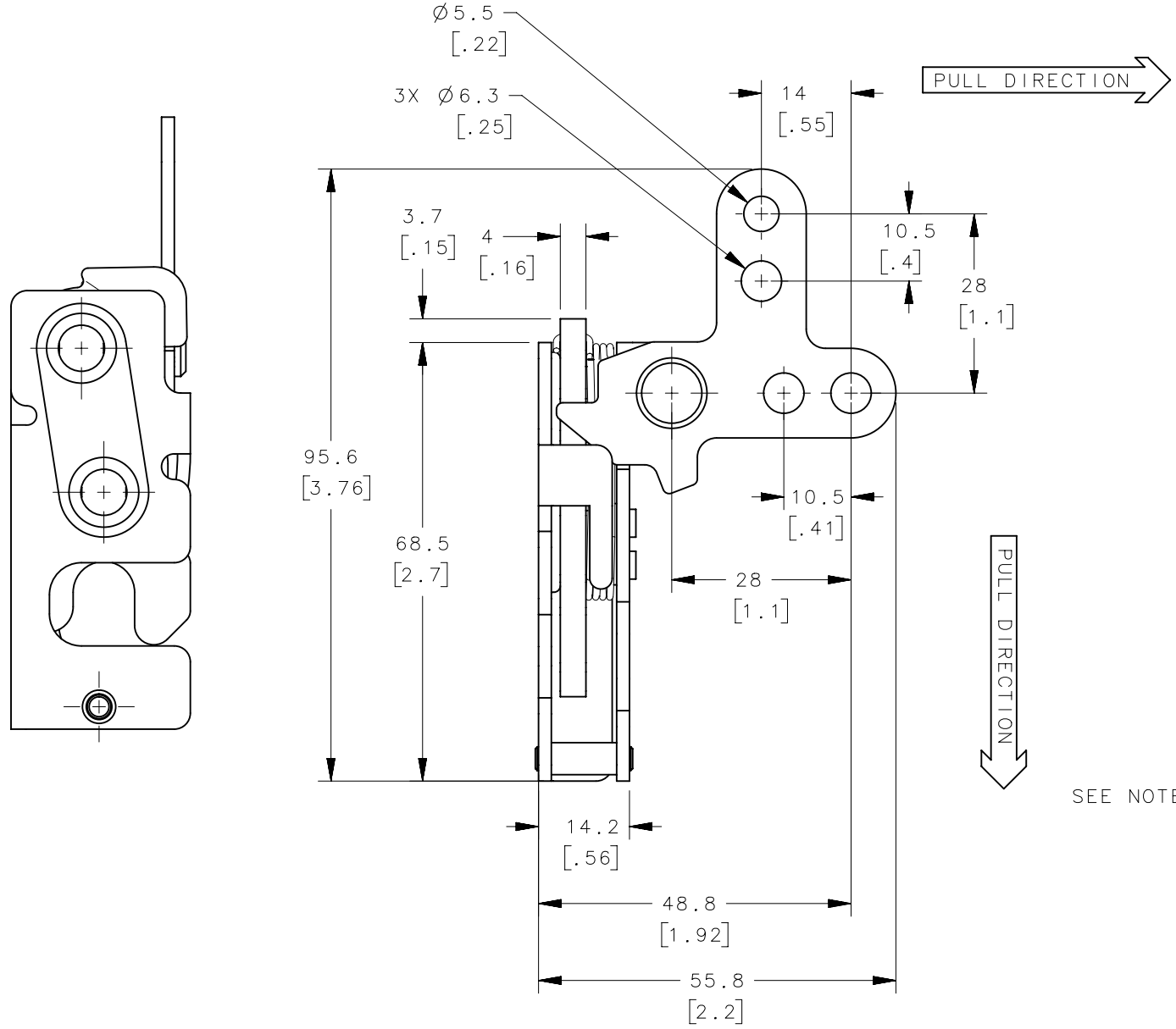
C

B

B

A

A



- NOTES:
- A. MATERIAL AND FINISH:
- ALL PARTS STAINLESS STEEL,
 - B. THESE DIMENSIONS REQUIRED FOR MOUNTING STRIKER BOLT.
 - C. $\phi 6.3$ (.25) LEVER HOLES USE OPTIONAL CABLE RETAINER R4-0-43922 SOLD SEPARATELY.

R4-10-10-301-20	$\phi 7.2\text{mm THRU}$	$\phi 7.6$ [.299]	SEE NOTE A	SEE NOTE A
R4-10-11-301-20	1/4-20 THREAD	$\phi 6.8$ [.268]		
R4-10-12-301-20	M6 THREAD	$\phi 6.4$ [.252]		
ASSEMBLY PART NUMBER	LATCH MOUNTING HOLE	MINIMUM RECOMMENDED PANEL HOLE	MATERIAL	FINISH
THIRD ANGLE PROJECTION		southco [®] CONNECT • CREATE • INNOVATE		
MILLIMETERS [IN]				
TOLERANCES UNLESS OTHERWISE NOTED		DESCRIPTION R4-10 MINI ROTARY LATCH WITH TRIGGER HOLE - RIGHT HAND, STAINLESS STEEL		
ALL DIMENSIONS WITHOUT TOLERANCES ARE FOR REFERENCE ONLY.		SIZE B	SYSTEM NX	DWG NO. J-R4-10-10-301-20
PER ASME Y14.5M-1994		DRAWN BY ACH/JCK	DATE 10NOV2010	SCALE 1:1
<small>PROPRIETARY ITEM EXCEPT FOR USES EXPRESSLY GRANTED IN WRITING, INFORMATION DISCLOSED HEREON IS CONFIDENTIAL AND ALL RIGHTS, PATENT AND OTHERWISE, ARE RESERVED BY SOUTHCO, INC.</small>		SHEET 1 OF 2		

6

5

4

3

2

1

6

5

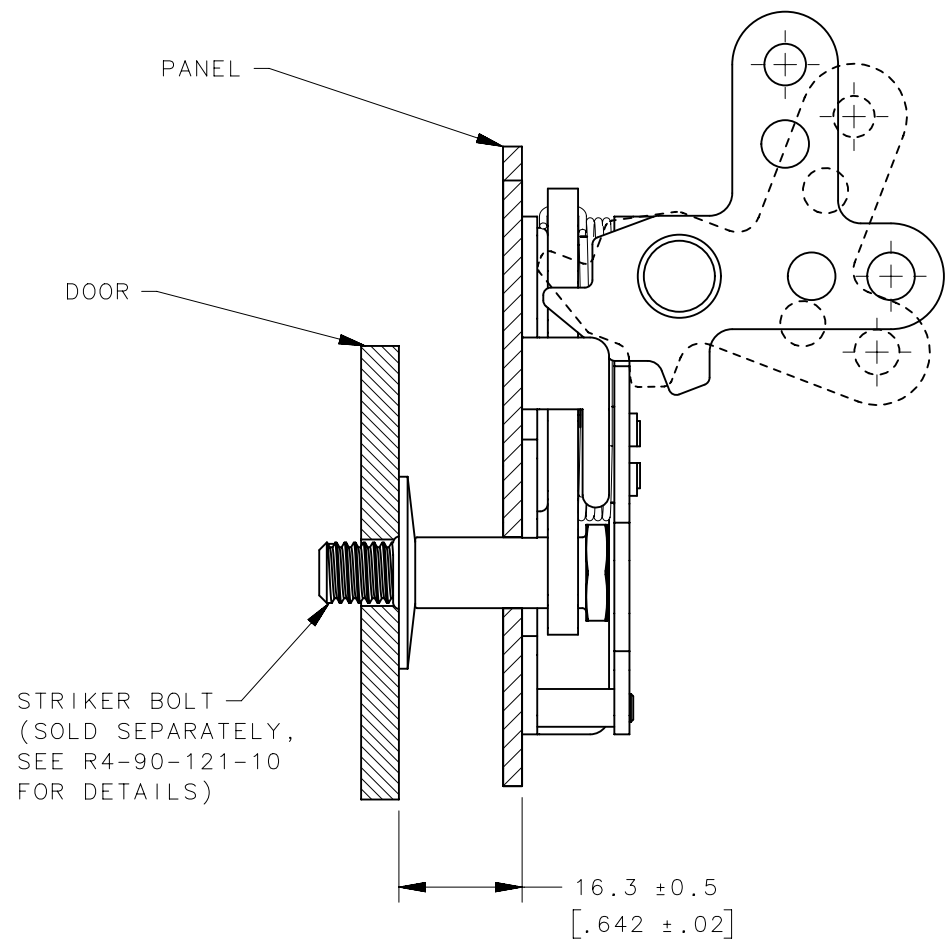
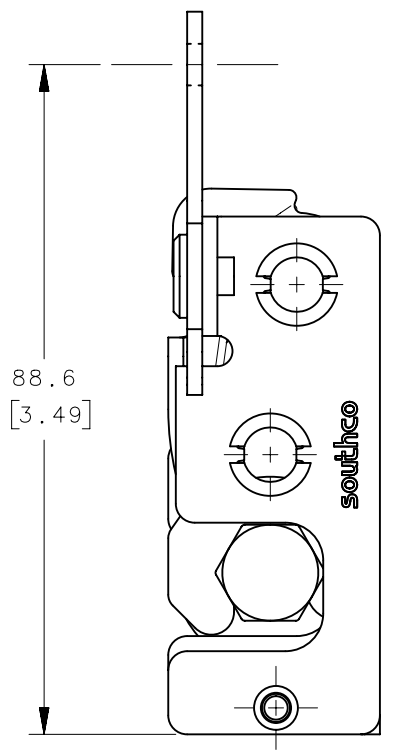
4

3

2

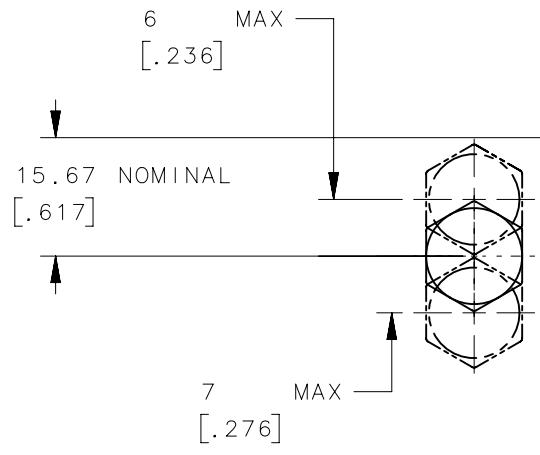
1

REVISION HISTORY			
REV	DATE	BY	DESCRIPTION
C	28JUL2021	KSH/HPD	PRN: P2021-1527

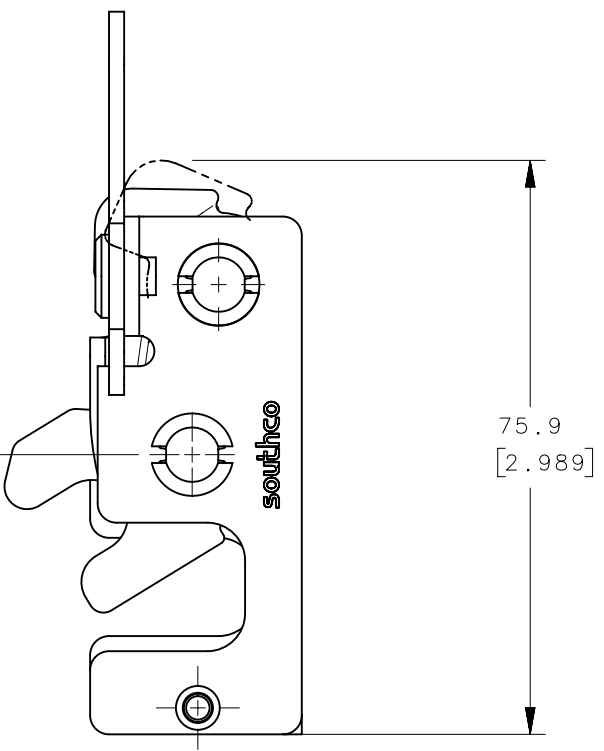


PULL DIRECTION →

↓ PULL DIRECTION



MISALIGNMENT VIEW (SEE NOTE B)



- NOTES:
- A. THE TOLERANCE BETWEEN THE LATCH AND STRIKER BOLT ASSUMES A NON-RIGID DOOR INSTALLATION THAT WILL ALLOW THE DOOR TO MOVE INTO THE NOMINAL POSITION DURING LATCHING. RIGID DOORS MUST HAVE THE STRIKER INSTALLED PER THE PANEL PREPARATION RECOMMENDATION.
 - B. THE MISALIGNMENT VIEW ASSUMES THE LATCH IS CONNECTED TO A PERFECTLY RIGID DOOR AND HINGE; THEREFORE, THERE IS NO DOOR AND/OR HINGE SLACK ASSOCIATED WITH THESE DIMENSIONS. THE MISALIGNMENT VIEW DOES NOT TAKE FLEXING OF THE STRIKER BOLT INTO ACCOUNT.

R4-10-10-301-20	Ø 7.2mm THRU	Ø 7.6 [.299]
R4-10-11-301-20	1/4-20 THREAD	Ø 6.8 [.268]
R4-10-12-301-20	M6 THREAD	Ø 6.4 [.252]
ASSEMBLY PART NUMBER	LATCH MOUNTING HOLE	MINIMUM RECOMMENDED PANEL HOLE
THIRD ANGLE PROJECTION		
MILLIMETERS [IN]		
TOLERANCES UNLESS OTHERWISE NOTED	southco® CONNECT • CREATE • INNOVATE	
ALL DIMENSIONS WITHOUT TOLERANCES ARE FOR REFERENCE ONLY.	DESCRIPTION R4-10 MINI ROTARY LATCH WITH TRIGGER HOLE - RIGHT HAND, STAINLESS STEEL	
PROPRIETARY ITEM EXCEPT FOR USES EXPRESSLY GRANTED IN WRITING, INFORMATION DISCLOSED HEREON IS CONFIDENTIAL AND ALL RIGHTS, PATENT AND OTHERWISE, ARE RESERVED BY SOUTHCO, INC.	SIZE B	SYSTEM NX
PER ASME Y14.5M-1994	DWG NO. J-R4-10-10-301-20	SCALE 1:1
	DRAWN BY ACH/JCK	DATE 10NOV2010
		SHEET 2 OF 2

6

5

4

3

2

1