

6

5

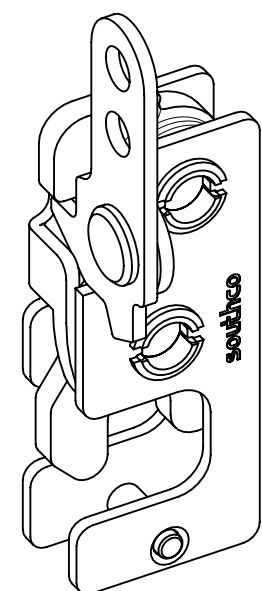
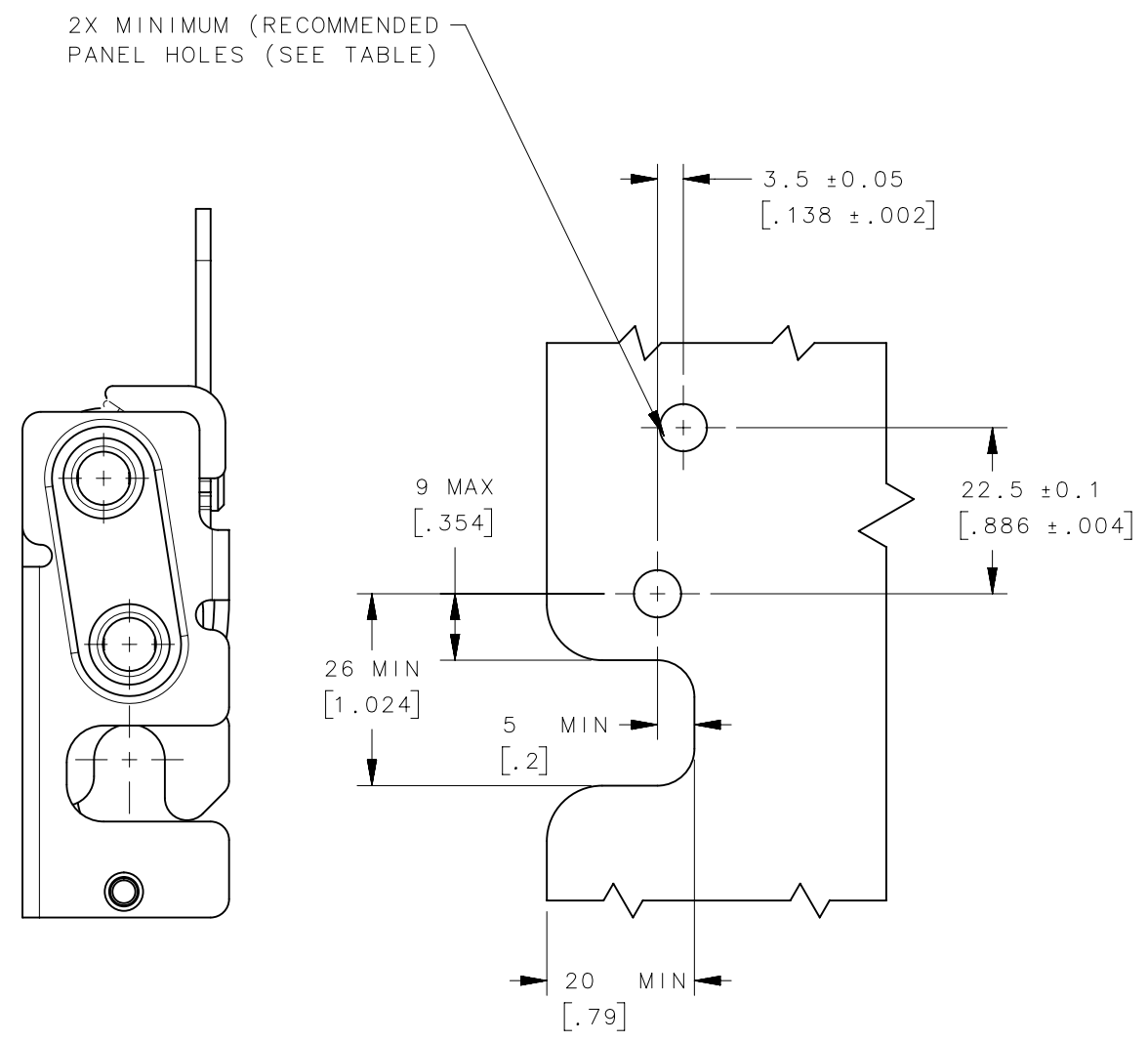
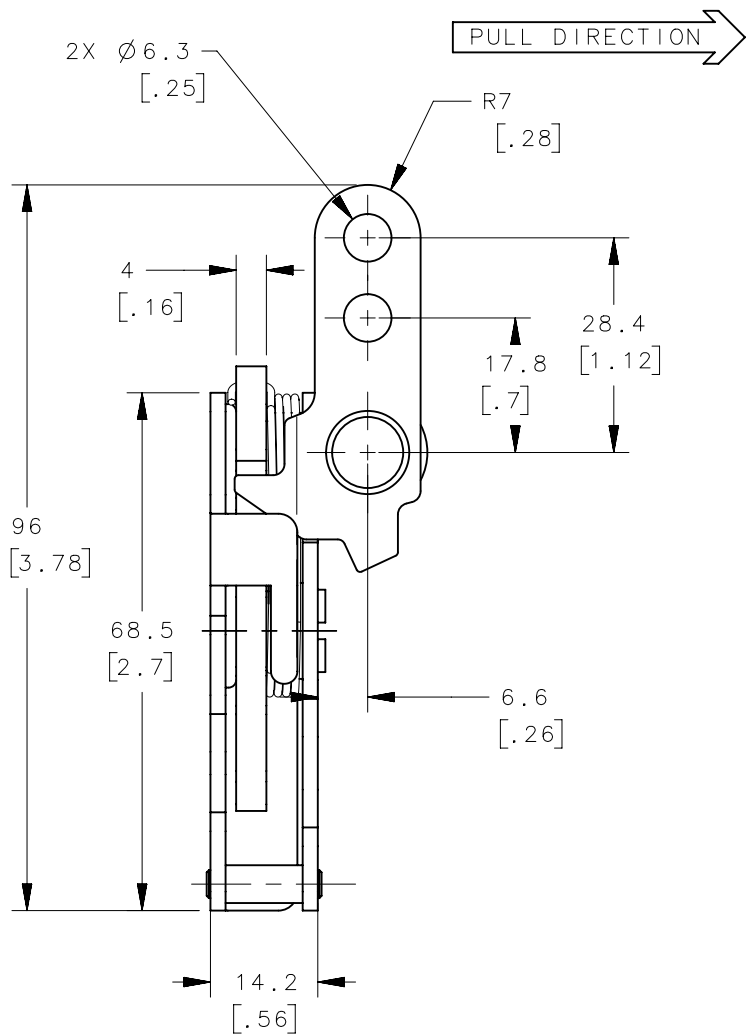
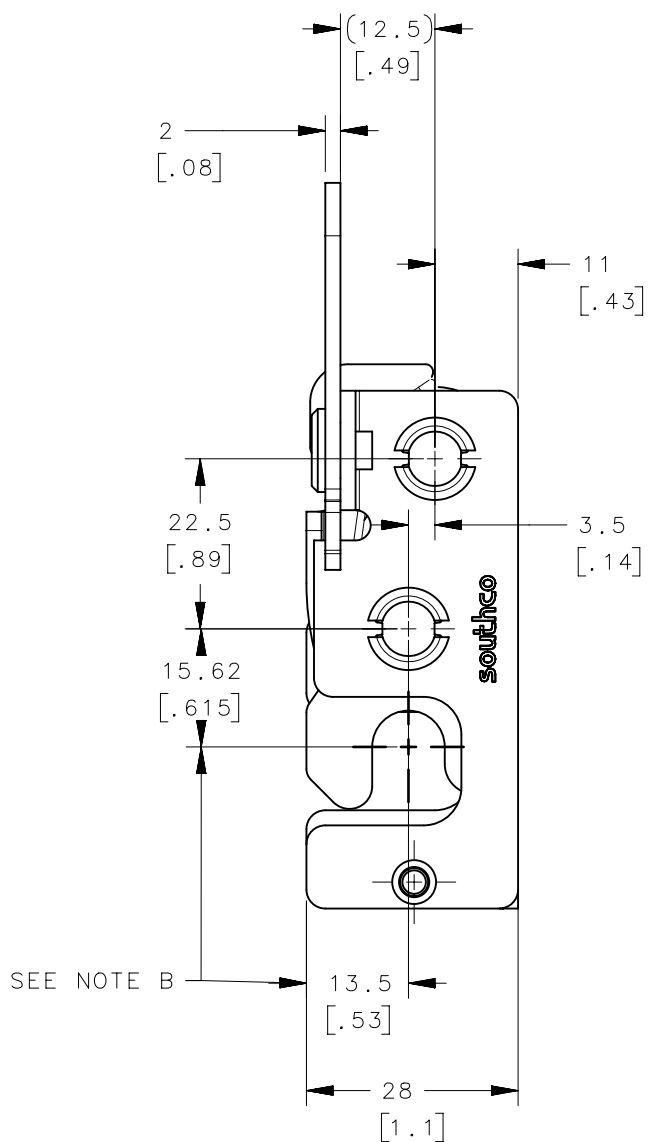
4

3

2

1

REVISION HISTORY			
REV	DATE	BY	DESCRIPTION
C	27JUL2021	KSH/HPD	PRN: P2021-1527



- NOTES:
- A. MATERIAL AND FINISH:
- ALL PARTS STAINLESS STEEL.
 - B. THESE DIMENSIONS REQUIRED FOR MOUNTING STRIKER BOLT.
 - C. Ø6.3 (.25) LEVER HOLES USE
OPTIONAL CABLE RETAINER R4-0-43922 SOLD SEPARATELY.

R4-10-10-201-20	Ø 7.2mm THRU	Ø 7.6 [.299]	SEE NOTE A	SEE NOTE A
R4-10-11-201-20	1/4-20 THREAD	Ø 6.8 [.268]		
R4-10-12-201-20	M6 THREAD	Ø 6.4 [.252]		
ASSEMBLY PART NUMBER	LATCH MOUNTING HOLE	MINIMUM RECOMMENDED PANEL HOLE	MATERIAL	FINISH

THIRD ANGLE PROJECTION		
TOLERANCES UNLESS OTHERWISE NOTED	DESCRIPTION	
ALL DIMENSIONS WITHOUT TOLERANCES ARE FOR REFERENCE ONLY.	R4 STAINLESS STEEL MINI ROTARY LATCH INLINE - RIGHT HAND	
PROPRIETARY ITEM <small>EXCEPT FOR USES EXPRESSLY GRANTED IN WRITING, INFORMATION DISCLOSED HEREON IS CONFIDENTIAL AND ALL RIGHTS, PATENT AND OTHERWISE, ARE RESERVED BY SOUTHCO, INC.</small>	SIZE B	SYSTEM NX
PER ASME Y14.5M-1994	DWG NO. J-R4-10-10-201-20	DATE 07DEC2010
	DRAWN BY ACH/JCK	SCALE 1:1
		SHEET 1 OF 2

6

5

4

3

2

1

6

5

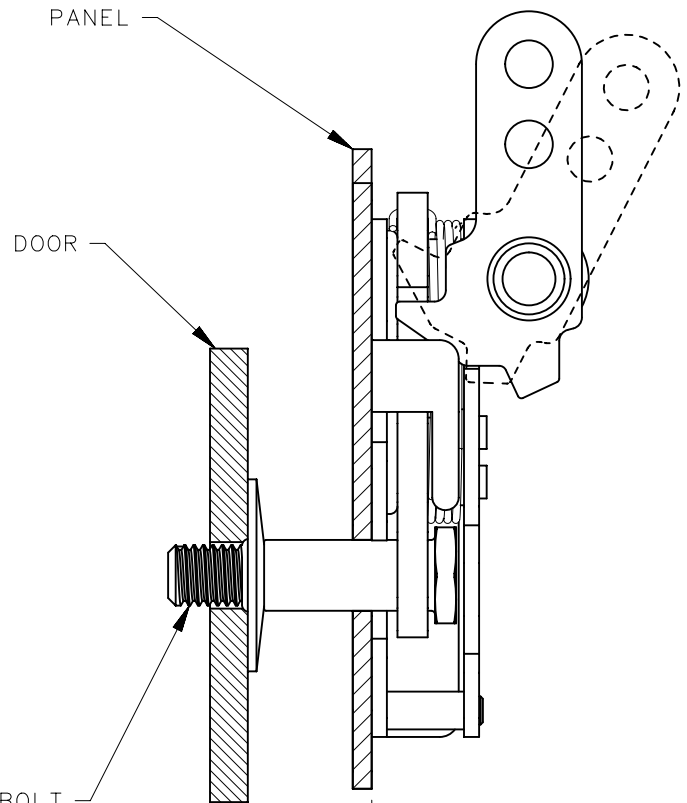
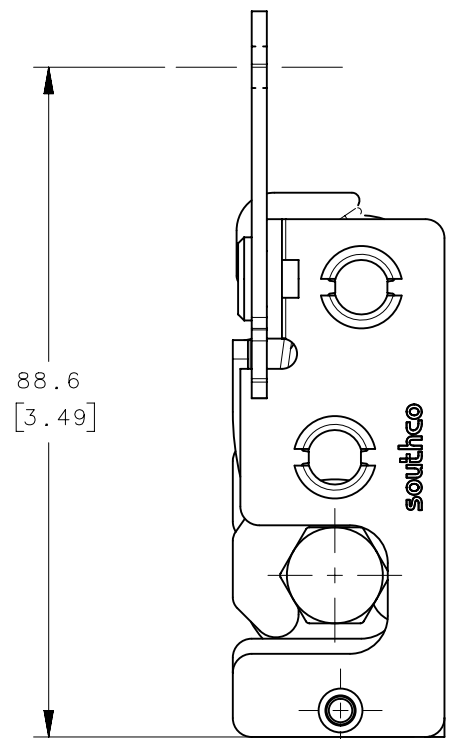
4

3

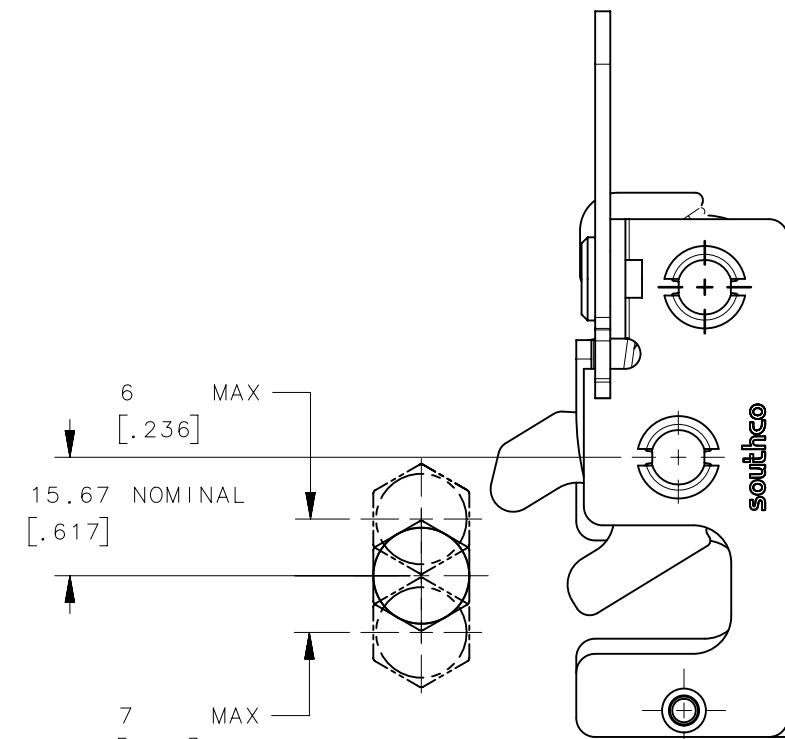
2

1

REVISION HISTORY			
REV	DATE	BY	DESCRIPTION
C	27JUL2021	KSH/HPD	PRN: P2021-1527



PULL DIRECTION →



MISALIGNMENT VIEW
(SEE NOTE B)

STRIKER BOLT
(SOLD SEPARATELY,
SEE R4-90-121-10
FOR DETAILS)

NOTES:

- A. THE TOLERANCE BETWEEN THE LATCH AND STRIKER BOLT ASSUMES A NON-RIGID DOOR INSTALLATION THAT WILL ALLOW THE DOOR TO MOVE INTO THE NOMINAL POSITION DURING LATCHING. RIGID DOORS MUST HAVE THE STRIKER INSTALLED PER THE PANEL PREPARATION RECOMMENDATION.
- B. THE MISALIGNMENT VIEW ASSUMES THE LATCH IS CONNECTED TO A PERFECTLY RIGID DOOR AND HINGE; THEREFORE, THERE IS NO DOOR AND/OR HINGE SLACK ASSOCIATED WITH THESE DIMENSIONS. THE MISALIGNMENT VIEW DOES NOT TAKE FLEXING OF THE STRIKER BOLT INTO ACCOUNT.

R4-10-10-601-20	Ø 7.2mm THRU	Ø 7.6 [.299]
R4-10-11-601-20	1/4-20 THREAD	Ø 6.8 [.268]
R4-10-12-601-20	M6 THREAD	Ø 6.4 [.252]
ASSEMBLY PART NUMBER	LATCH MOUNTING HOLE	MINIMUM RECOMMENDED PANEL HOLE

THIRD ANGLE PROJECTION		southco [®] CONNECT • CREATE • INNOVATE	
MILLIMETERS [IN]			
TOLERANCES UNLESS OTHERWISE NOTED		DESCRIPTION R4 STAINLESS STEEL MINI ROTARY LATCH INLINE - RIGHT HAND	
ALL DIMENSIONS WITHOUT TOLERANCES ARE FOR REFERENCE ONLY.		SIZE B	SYSTEM NX
PER ASME Y14.5M-1994		DWG NO. J-R4-10-10-201-20	DATE 10NOV2010
EXCEPT FOR USES EXPRESSLY GRANTED IN WRITING, INFORMATION DISCLOSED HEREON IS CONFIDENTIAL AND ALL RIGHTS, PATENT AND OTHERWISE, ARE RESERVED BY SOUTHCO, INC.		SCALE 1:1	SHEET 2 OF 2

6

5

4

3

2

1