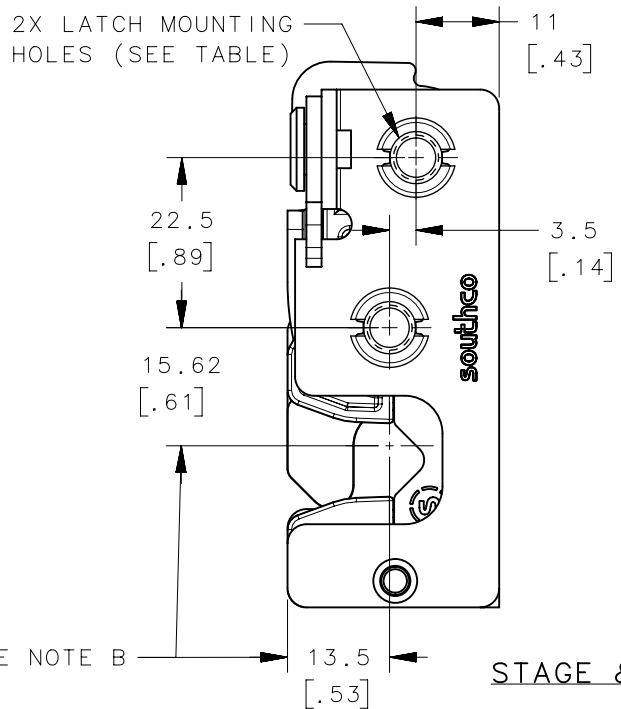
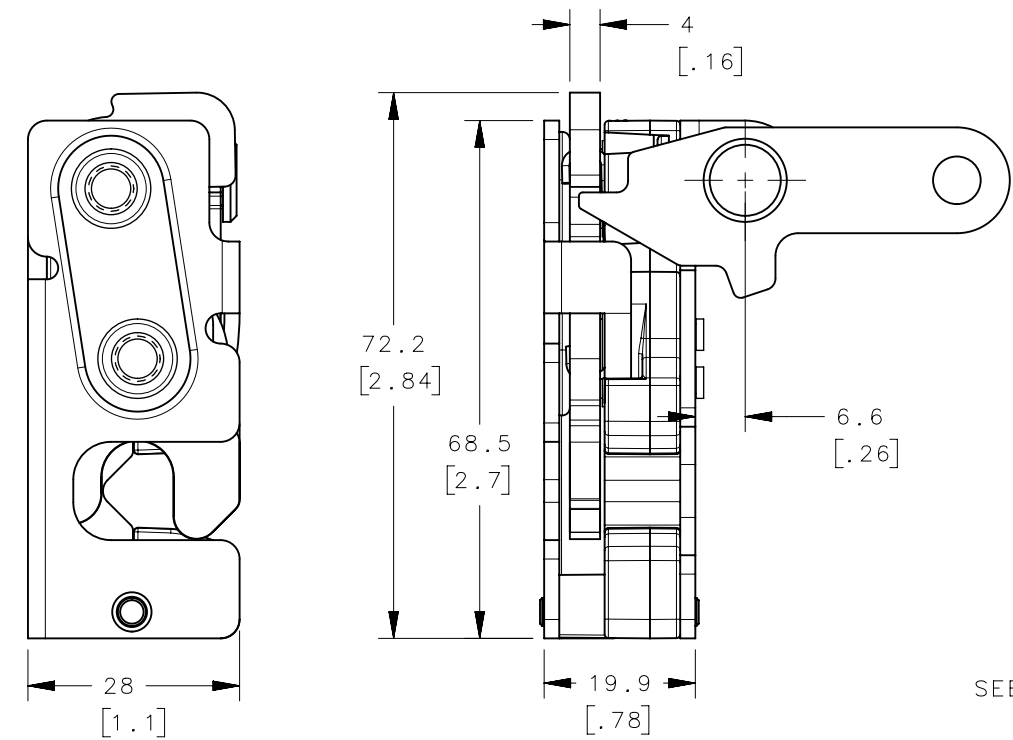
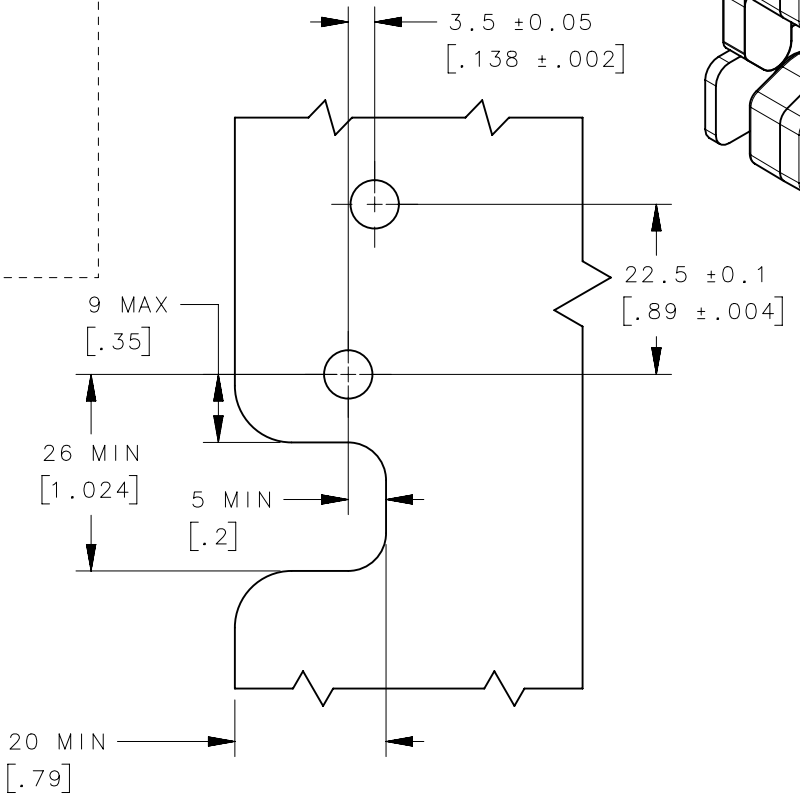
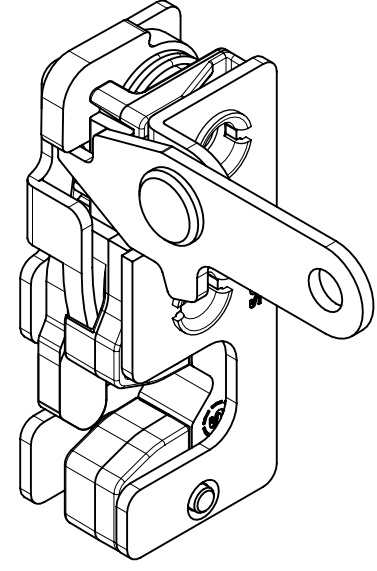
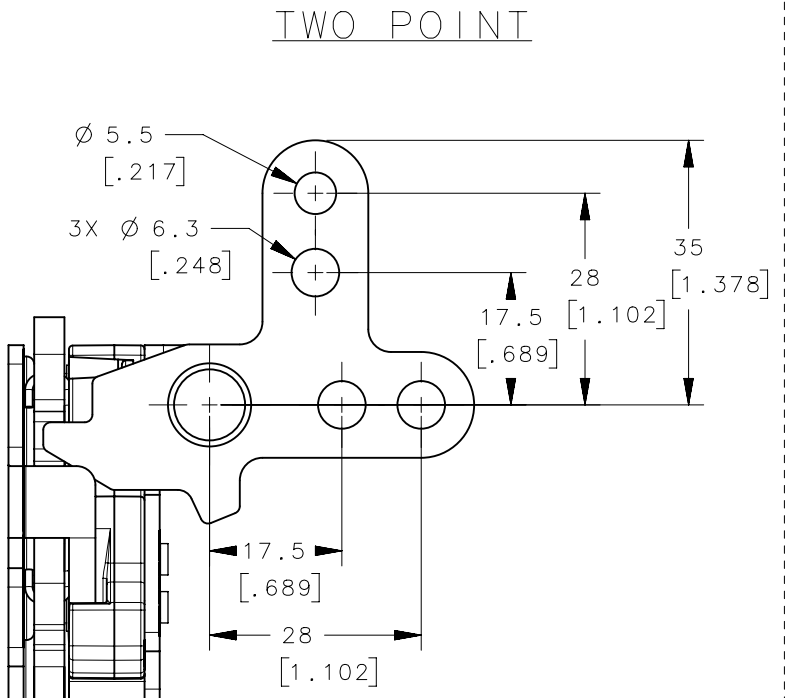
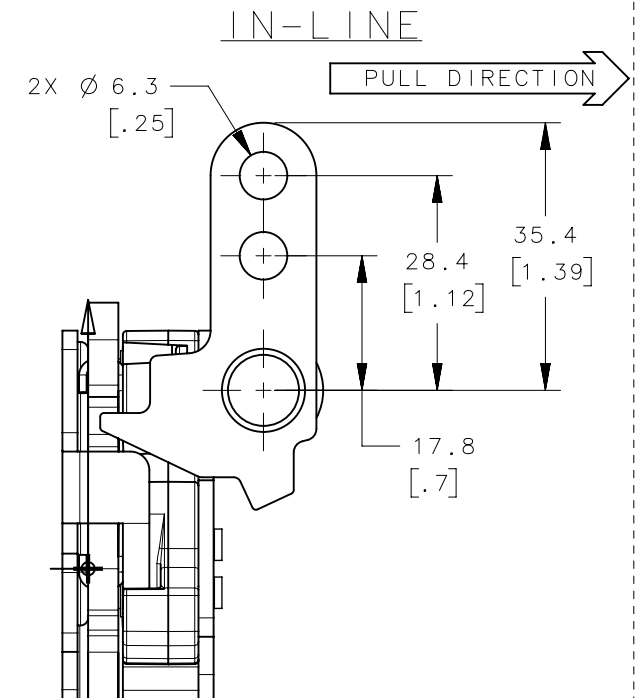
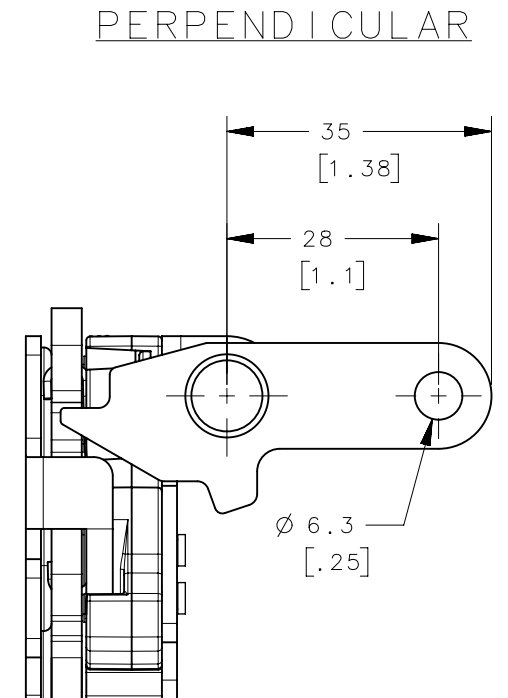


REVISION HISTORY			
REV	DATE	BY	DESCRIPTION
E	29JUL2021	KSH/HPD	PRN: P2021-1527



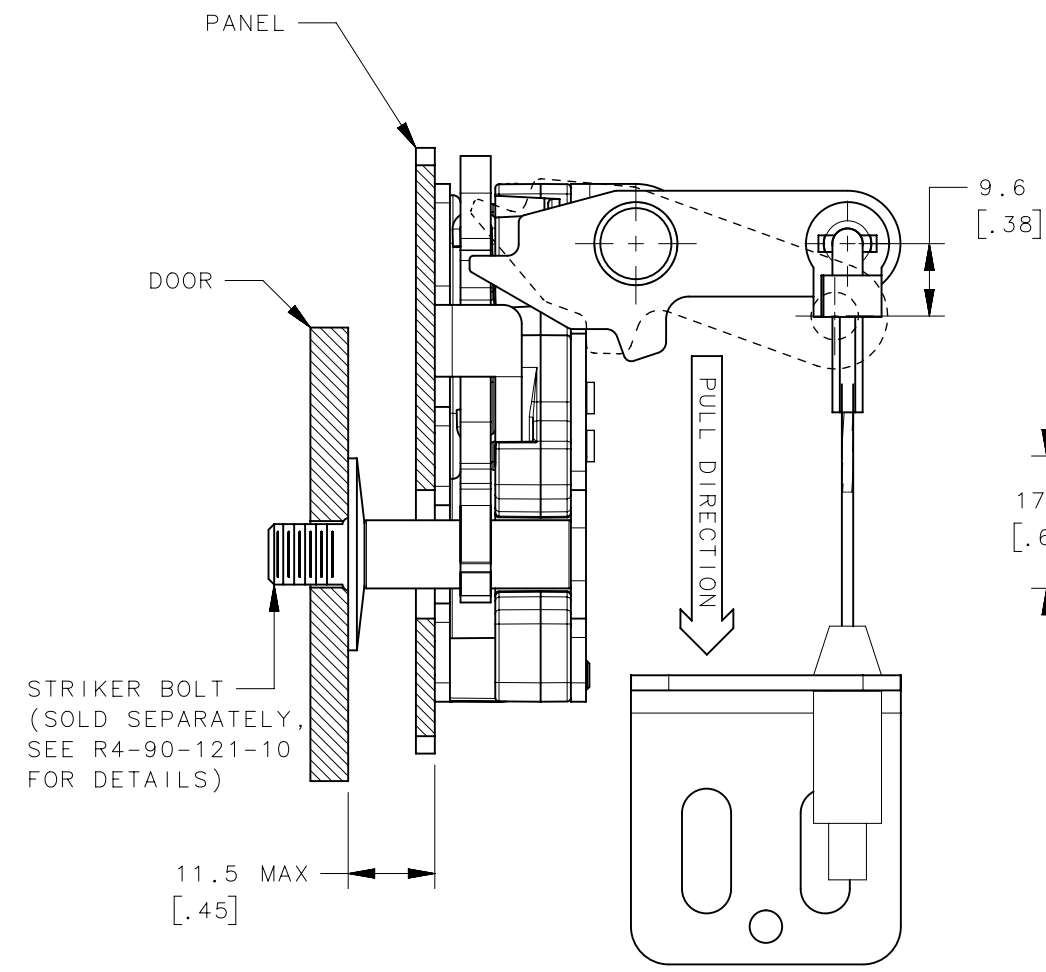
ASSEMBLY PART No.
R4-10-□-□05-20

STAGE & ACTUATION	MOUNTING STYLE	LEVER TYPE
1 - SINGLE STAGE, RIGHT HAND 3 - TWO-STAGE, RIGHT HAND	0 - Ø7.2 [0.283] THRU 1 - 1/4-20 THREAD 2 - M6x1 THREAD	1 - PERPENDICULAR 2 - IN-LINE 3 - TWO POINT

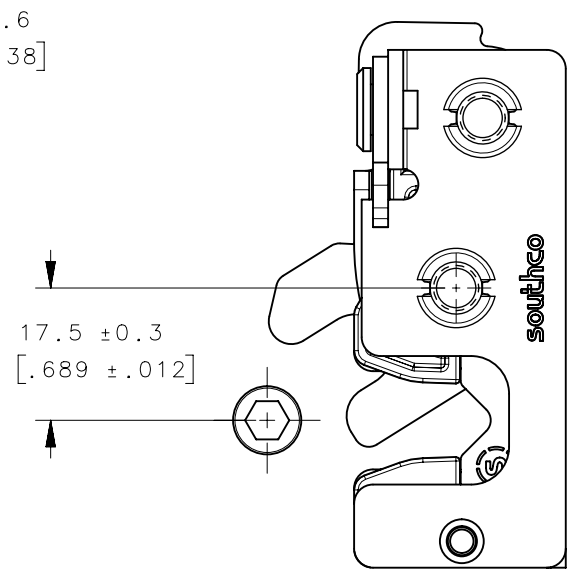
NOTES:
 A. MATERIAL AND FINISH:
 - HOUSING, LEVER, RIVET AND INTERNAL COMPONENTS:
 304 STAINLESS STEEL, PASSIVATED.
 - GUIDE: DELRIN, BLACK
 - STOP BLOCK: EPDM, DURO 60, SHORE A
 B. THESE DIMENSIONS REQUIRED FOR MOUNTING STRIKER BOLT.
 C. Ø6.3 (.25) LEVER HOLES USE OPTIONAL CABLE RETAINER R4-0-43922 SOLD SEPARATELY.

THIRD ANGLE PROJECTION				
TOLERANCES UNLESS OTHERWISE NOTED		DESCRIPTION R4 MINI ROTARY LATCH RIGHT HAND - IB - STAINLESS		
ALL DIMENSIONS WITHOUT TOLERANCES ARE FOR REFERENCE ONLY.		SIZE B	SYSTEM NX	DWG NO. J-R4-10-5AR-20
PER ASME Y14.5M-1994		DRAWN BY DGJ/ACH	DATE 02JAN2014	SCALE 1:1
PROPRIETARY ITEM <small>EXCEPT FOR USES EXPRESSLY GRANTED IN WRITING, INFORMATION DISCLOSED HEREON IS CONFIDENTIAL AND ALL RIGHTS, PATENT AND OTHERWISE, ARE RESERVED BY SOUTHCO, INC.</small>		SHEET 1 OF 2		

REVISION HISTORY			
REV	DATE	BY	DESCRIPTION
E	29JUL2021	KSH/HPD	PRN: P2021-1527

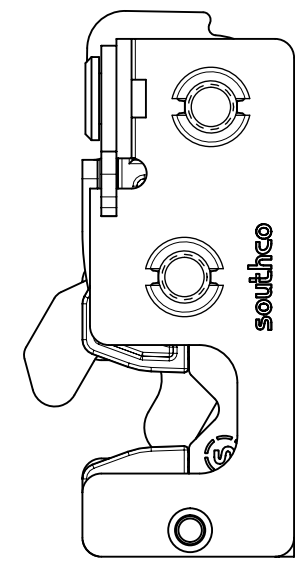


PRIMARY STAGE

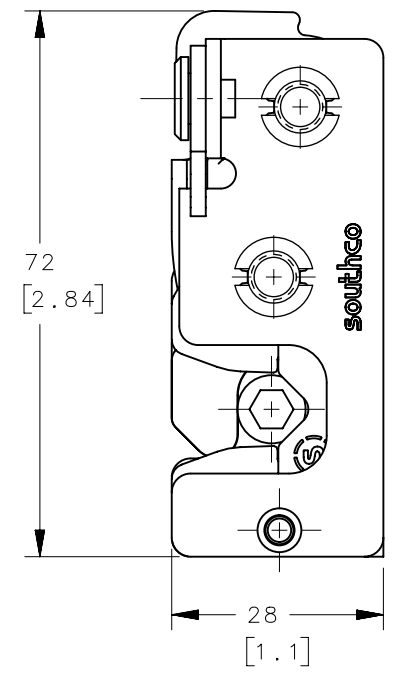


MISALIGNMENT VIEW
SEE NOTE B

SECONDARY STAGE
(TWO-STAGE OPTION ONLY)



LATCHED STAGE



- NOTES:
- A. THE TOLERANCE BETWEEN THE LATCH AND STRIKER BOLT ASSUMES A NON-RIGID DOOR INSTALLATION THAT WILL ALLOW THE DOOR TO MOVE INTO THE NOMINAL POSITION DURING LATCHING. RIGID DOORS MUST HAVE THE STRIKER INSTALLED PER THE PANEL PREPARATION RECOMMENDATION.
 - B. THE MISALIGNMENT VIEW ASSUMES THE LATCH IS CONNECTED TO A PERFECTLY RIGID DOOR AND HINGE; THEREFORE, THERE IS NO DOOR AND/OR HINGE SLACK ASSOCIATED WITH THESE DIMENSIONS. THE MISALIGNMENT VIEW DOES NOT TAKE FLEXING OF THE STRIKER BOLT INTO ACCOUNT.

R4-10-X0-X05-20	Ø 7.2 THRU	Ø 7.2 [.299]
R4-10-X1-X05-20	1/4-20 THREAD	Ø 6.8 [.268]
R4-10-X2-X05-20	M6X1 THREAD	Ø 6.4 [.252]
PART NUMBER	MOUNTING STYLE	MINIMUM PANEL HOLE

THIRD ANGLE PROJECTION				
MILLIMETERS [IN]				
TOLERANCES UNLESS OTHERWISE NOTED	DESCRIPTION			
ALL DIMENSIONS WITHOUT TOLERANCES ARE FOR REFERENCE ONLY.	R4 MINI ROTARY LATCH RIGHT HAND - 1B - STAINLESS			
PROPRIETARY ITEM EXCEPT FOR USES EXPRESSLY GRANTED IN WRITING, INFORMATION DISCLOSED HEREON IS CONFIDENTIAL AND ALL RIGHTS, PATENT AND OTHERWISE, ARE RESERVED BY SOUTHCO, INC.	SIZE B	SYSTEM NX	DWG NO. J-R4-10-5AR-20	
PER ASME Y14.5M-1994	DRAWN BY DGJ/ACH	DATE 02JAN2014	SCALE 1:1	SHEET 2 OF 2