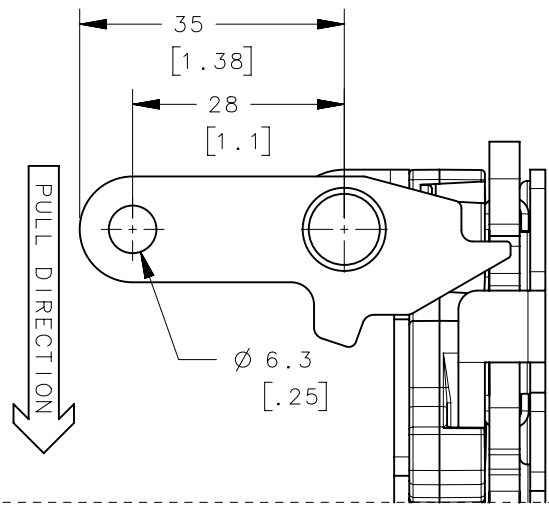
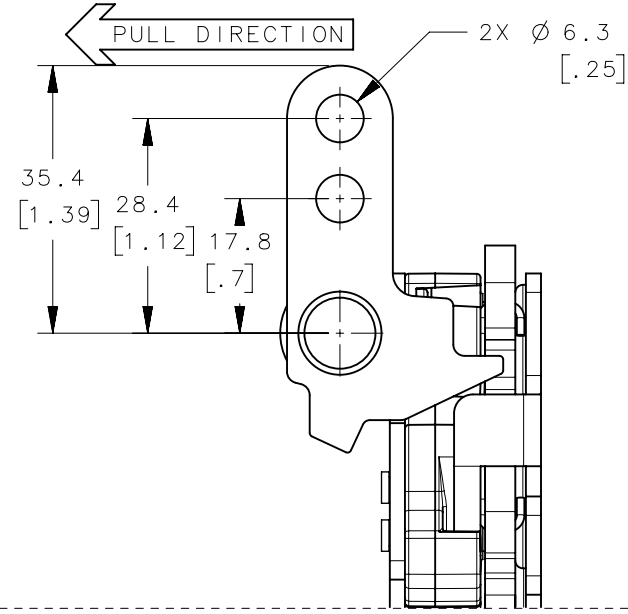


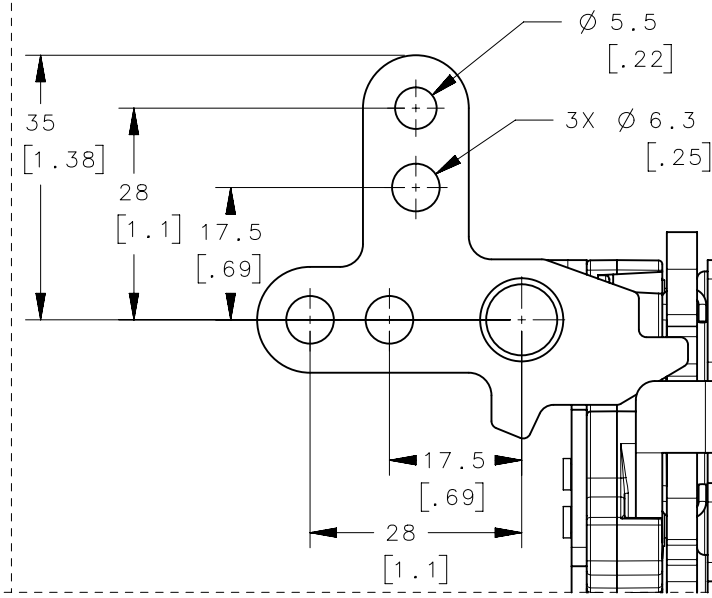
PERPENDICULAR



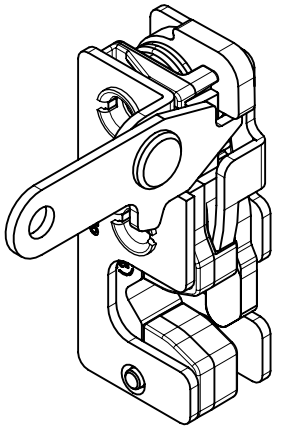
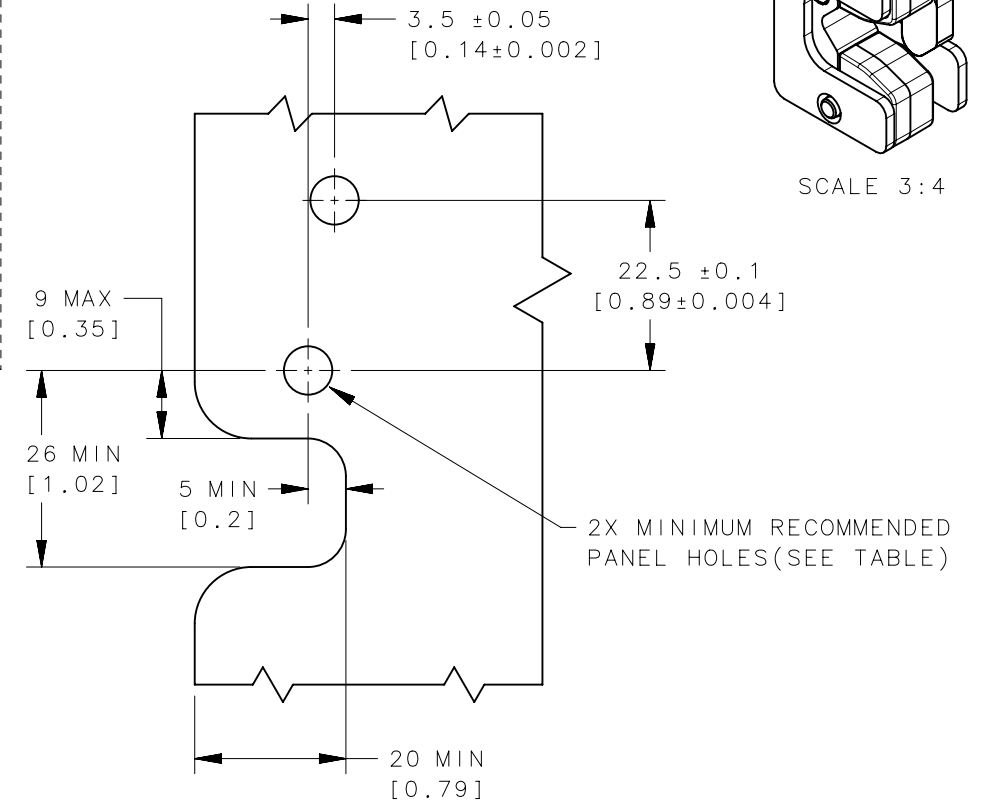
IN-LINE



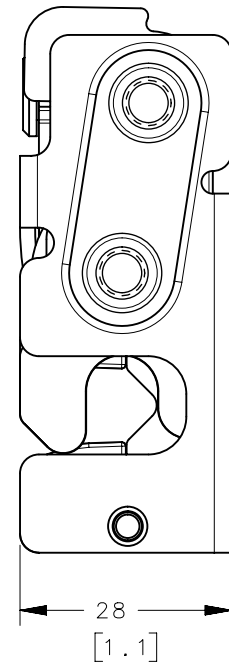
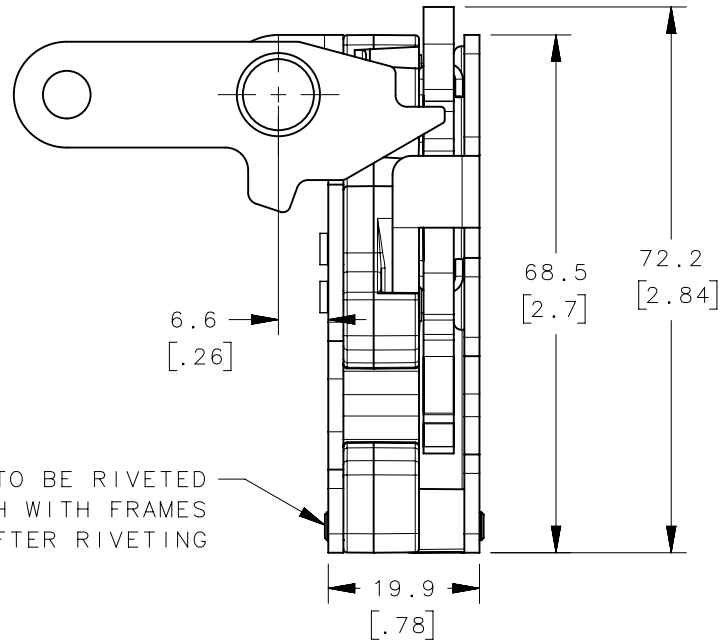
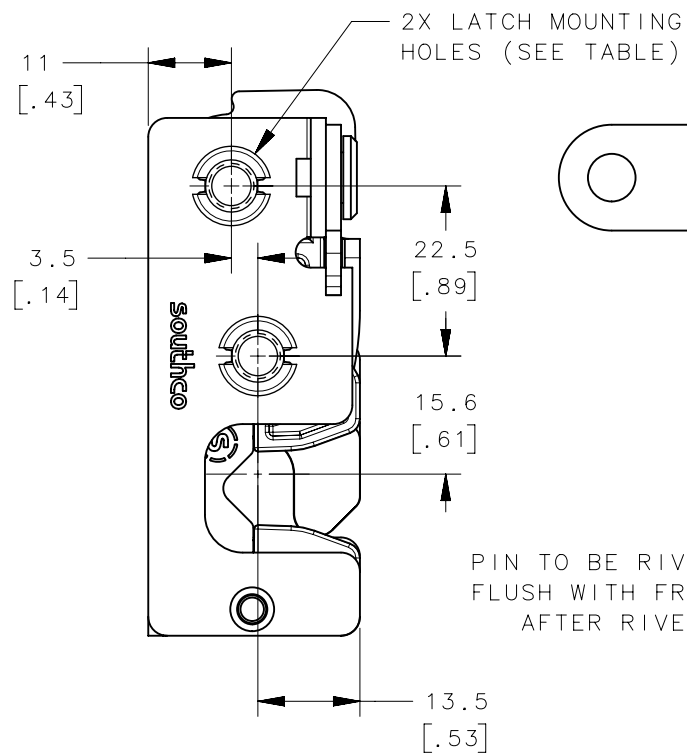
TWO POINT



PANEL PREPARATION



SCALE 3:4



ASSEMBLY PART No.
R4-10-□□-□□05-20

STAGE & ACTUATION

- 2 - SINGLE STAGE, LEFT HAND
- 4 - TWO-STAGE, LEFT HAND

MOUNTING STYLE

- 0 - Ø 7.2 (.283) THRU
- 1 - 1/4-20 THREAD
- 2 - M6x1 THREAD

LEVER TYPE

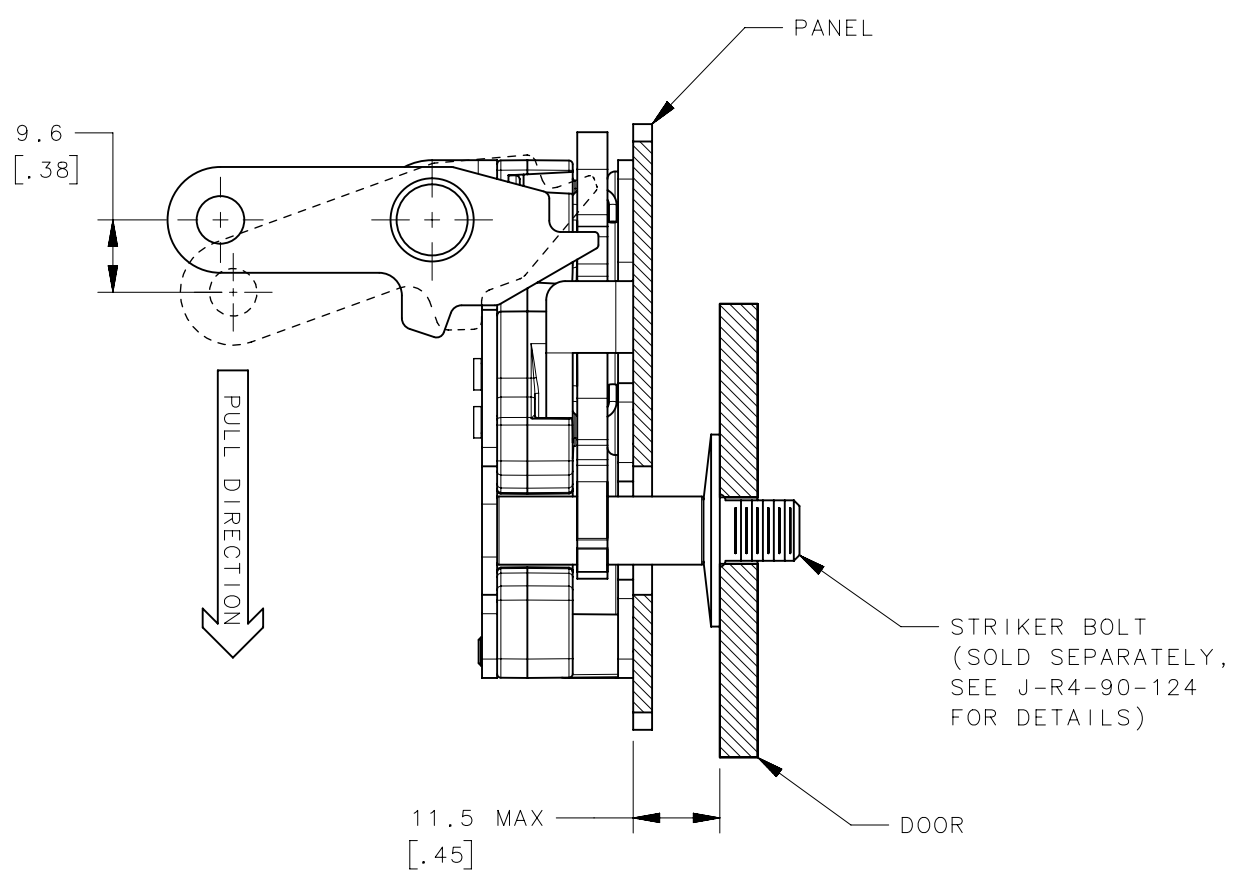
- 1 - PERPENDICULAR
- 2 - IN-LINE
- 3 - TWO POINT

NOTES:

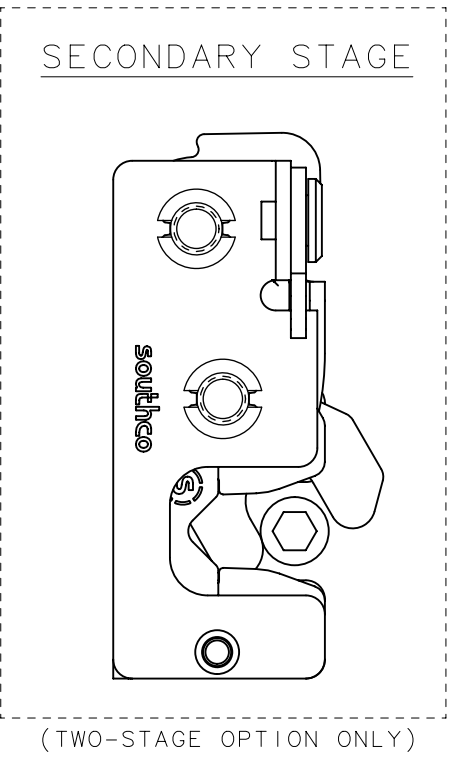
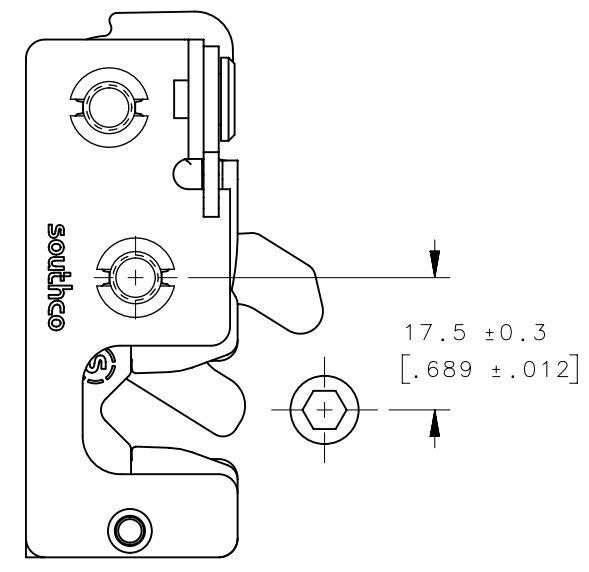
- A. MATERIAL AND FINISH:
 - HOUSING, LEVER, RIVET AND INTERNAL COMPONENTS: STAINLESS STEEL, PASSIVATED
 - GUIDE: DELRIN, BLACK
 - STOP BLOCK: EPDM, DURO 60, SHORE A
- B. THESE DIMENSIONS REQUIRED FOR MOUNTING STRIKER BOLT.
- C. Ø 6.3 (.25) LEVER HOLES USE OPTIONAL CABLE RETAINER R4-0-43922 SOLD SEPARATELY.

THIRD ANGLE PROJECTION				
TOLERANCES UNLESS OTHERWISE NOTED		DESCRIPTION		
ALL DIMENSIONS WITHOUT TOLERANCES ARE FOR REFERENCE ONLY.		R4 MINI ROTARY LATCH, SS LEFT HAND - IB - STAINLESS		
PROPRIETARY ITEM	PER ASME Y14.5M-1994	SIZE	SYSTEM	DWG NO.
EXCEPT FOR USES EXPRESSLY GRANTED IN WRITING, INFORMATION DISCLOSED HEREON IS CONFIDENTIAL AND ALL RIGHTS, PATENT AND OTHERWISE, ARE RESERVED BY SOUTHCO, INC.	PER ASME Y14.5M-1994	B	NX	J-R4-10-5AL-20
		DRAWN BY	DATE	SCALE
		CMG/DGJ	09SEP2014	1:1
				SHEET 1 OF 2

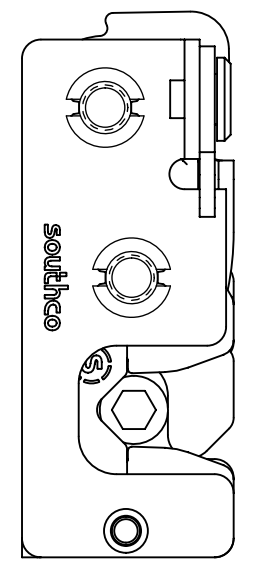
REVISION HISTORY			
REV	DATE	BY	DESCRIPTION
D	29JUL2021	KSH/HPD	PRN: P2021-1527



PRIMARY STAGE



LATCHED STAGE



NOTES:

- A. THE TOLERANCE BETWEEN THE LATCH AND STRIKER BOLT ASSUMES A NON-RIGID DOOR INSTALLATION THAT WILL ALLOW THE DOOR TO MOVE INTO THE NOMINAL POSITION DURING LATCHING. RIGID DOORS MUST HAVE THE STRIKER INSTALLED PER THE PANEL PREPARATION RECOMMENDATION.
- B. THE MISALIGNMENT VIEW ASSUMES THE LATCH IS CONNECTED TO A PERFECTLY RIGID DOOR AND HINGE; THEREFORE, THERE IS NO DOOR AND/OR HINGE SLACK ASSOCIATED WITH THESE DIMENSIONS. THE MISALIGNMENT VIEW DOES NOT TAKE FLEXING OF THE STRIKER BOLT INTO ACCOUNT.

R4-10-X0-X05-20	Ø 7.2 THRU	Ø 7.2 [.299]
R4-10-X1-X05-20	1/2-20 THREAD	Ø 6.8 [.268]
R4-10-X2-X05-20	M6X1 THREAD	Ø 6.4 [.252]
PART NUMBER	MOUNTING STYLE	MINIMUM PANEL HOLE

THIRD ANGLE PROJECTION				southco [®] CONNECT • CREATE • INNOVATE	
MILLIMETERS [IN]					
TOLERANCES UNLESS OTHERWISE NOTED		DESCRIPTION		R4 MINI ROTARY LATCH, SS	
ALL DIMENSIONS WITHOUT TOLERANCES ARE FOR REFERENCE ONLY.		SIZE		LEFT HAND - IB - STAINLESS	
PROPRIETARY ITEM		SYSTEM		DWG NO.	
EXCEPT FOR USES EXPRESSLY GRANTED IN WRITING, INFORMATION DISCLOSED HEREON IS CONFIDENTIAL AND ALL RIGHTS, PATENT AND OTHERWISE, ARE RESERVED BY SOUTHCO, INC.		NX		J-R4-10-5AL-20	
PER ASME Y14.5M-1994		DRAWN BY		SCALE	
		CMG/DGJ		1:1	
		DATE		SHEET	
		09SEP2014		2 OF 2	