

6

5

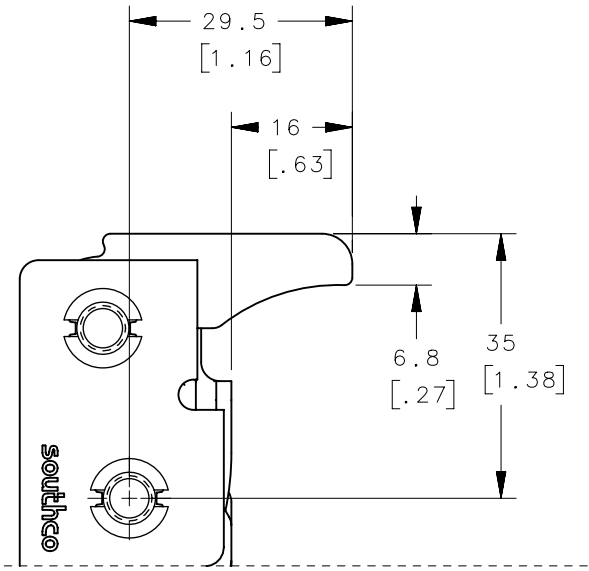
4

3

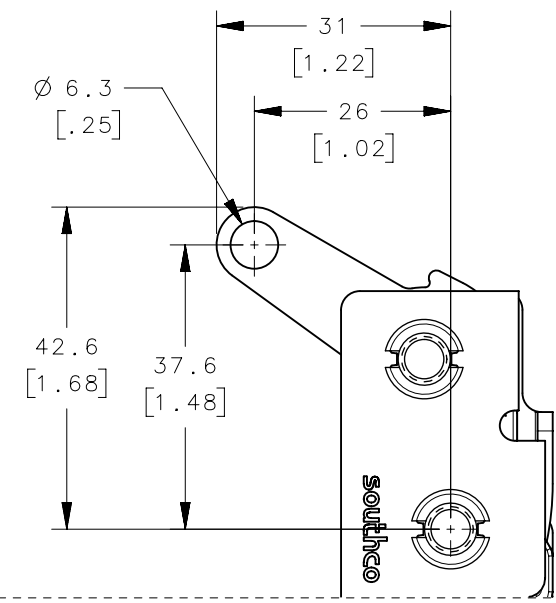
2

1

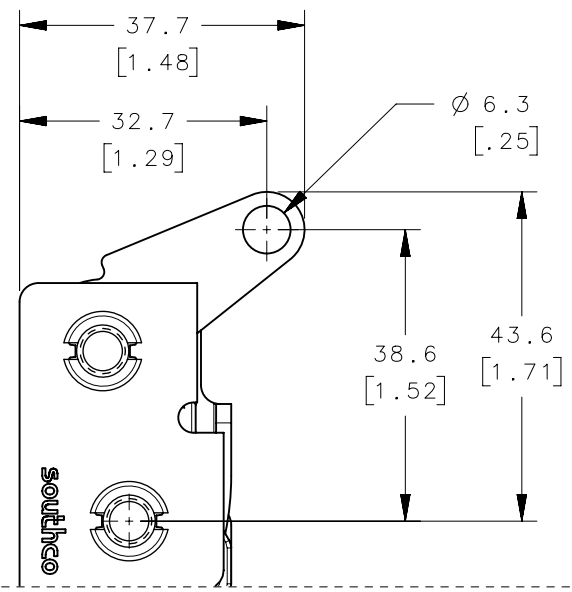
HAND ACTUATION



BOTTOM ACTUATION

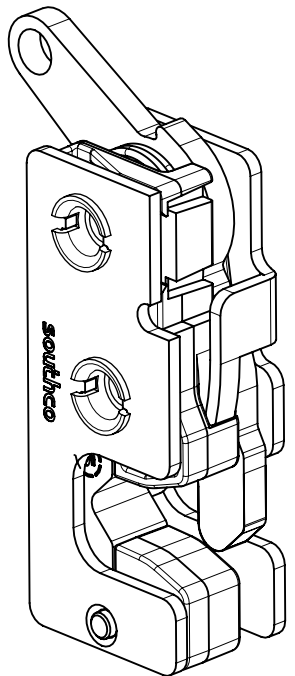
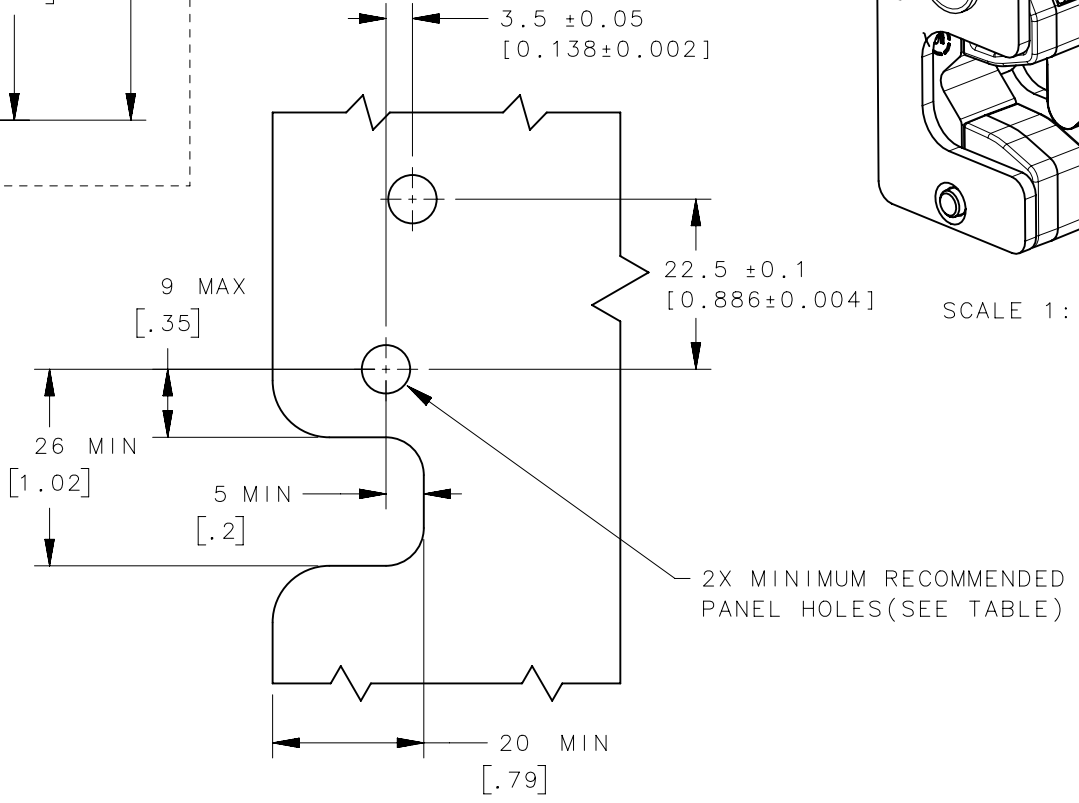


TOP ACTUATION



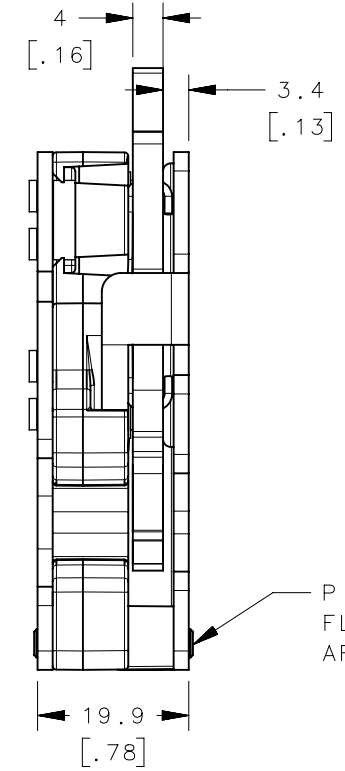
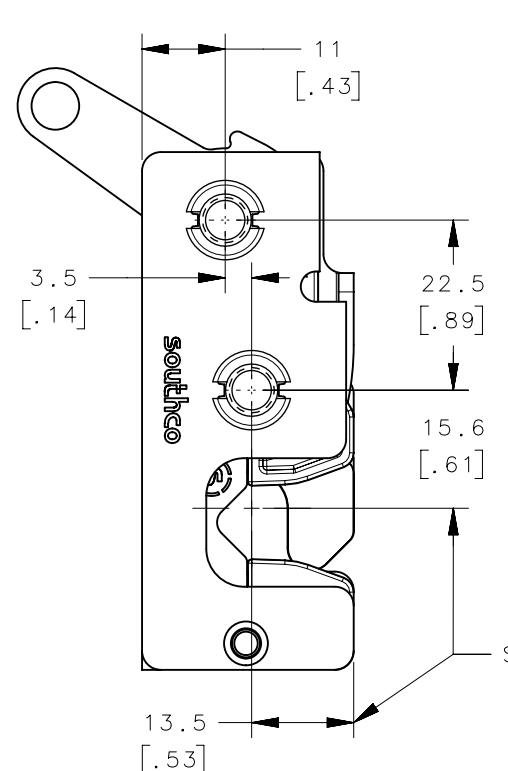
REVISION HISTORY			
REV	DATE	BY	DESCRIPTION
B	05FEB2018	RKS/VK	PRN: P2018-0325

PANEL PREPARATION



SCALE 1:1

BOTTOM ACTUATION SHOWN



PIN TO BE RIVETED FLUSH WITH FRAMES AFTER RIVETING

SEE NOTE B

NOTES:

- A. MATERIAL AND FINISH:
 - HOUSING, LEVER, RIVET AND INTERNAL COMPONENTS: STAINLESS STEEL, PASSIVATED
 - GUIDE: DELRIN, BLACK
 - STOP BLOCK: EPDM, DURO 60, SHORE A
- B. THESE DIMENSIONS REQUIRED FOR MOUNTING STRIKER BOLT.

ASSEMBLY PART NUMBER

R4-10-□-□05-20

STAGE & ACTUATION

- 2 - SINGLE STAGE, LEFT HAND
- 4 - TWO-STAGE, LEFT HAND

MOUNTING STYLE

- 0 - Ø7.2 (.283) THRU
- 1 - 1/4-20 THREAD
- 2 - M6x1 THREAD

LEVER TYPE

- 4 - HAND ACTUATION
- 5 - BOTTOM ACTUATION
- 6 - TOP ACTUATION

THIRD ANGLE PROJECTION	
MILLIMETERS [IN]	
TOLERANCES UNLESS OTHERWISE NOTED	
ALL DIMENSIONS WITHOUT TOLERANCES ARE FOR REFERENCE ONLY.	
PER ASME Y14.5M-1994	

southco CONNECT · CREATE · INNOVATE			
DESCRIPTION R4 MINI ROTARY LATCH, SS LEFT HAND - 1B - STAINLESS			
SIZE B	SYSTEM NX	DWG NO. J-R4-10-5BL-20	
DRAWN BY CMG/DGJ	DATE 02SEP2014	SCALE 1:1	SHEET 1 OF 3

6

5

4

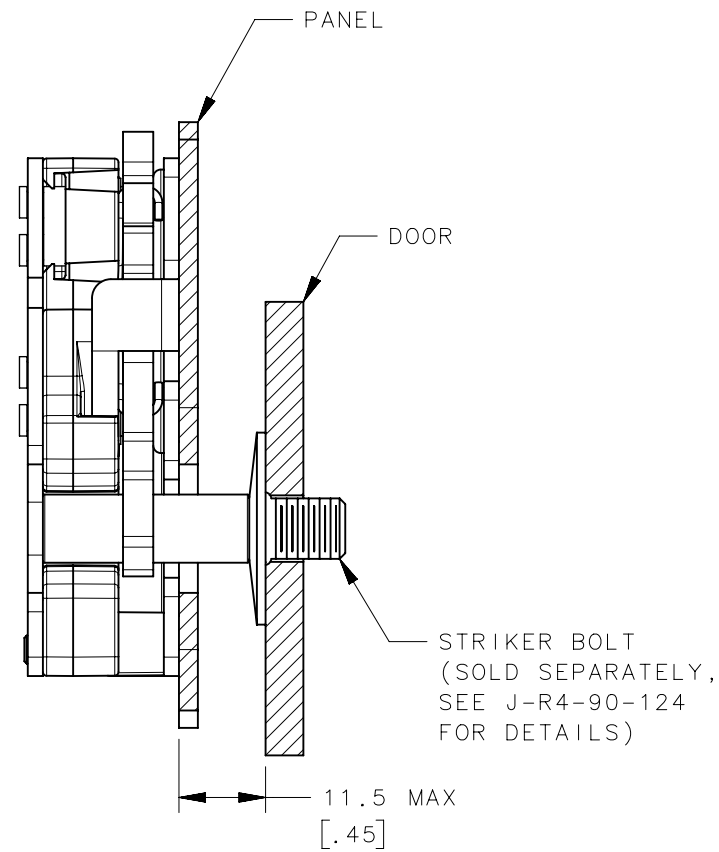
3

2

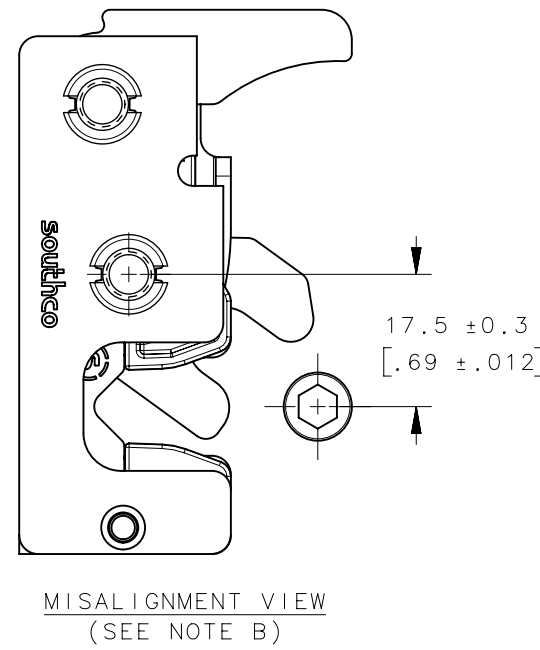
1

REVISION HISTORY			
REV	DATE	BY	DESCRIPTION
B	05FEB2018	RKS/VK	PRN: P2018-0325

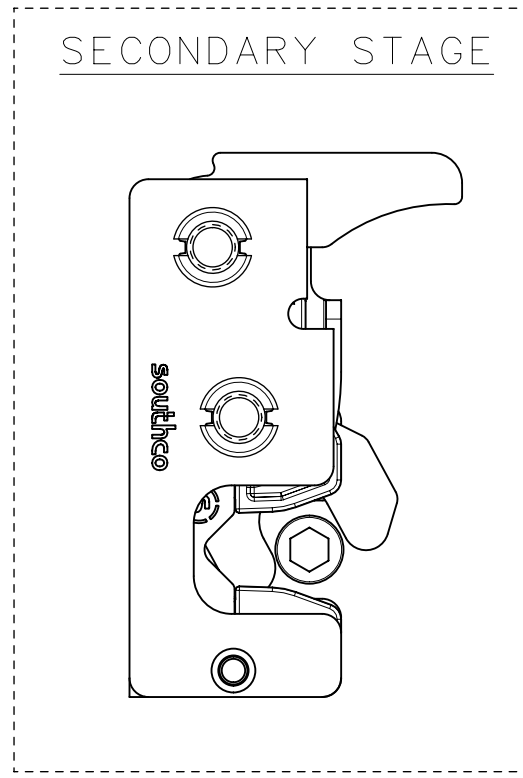
HAND ACTUATION SHOWN



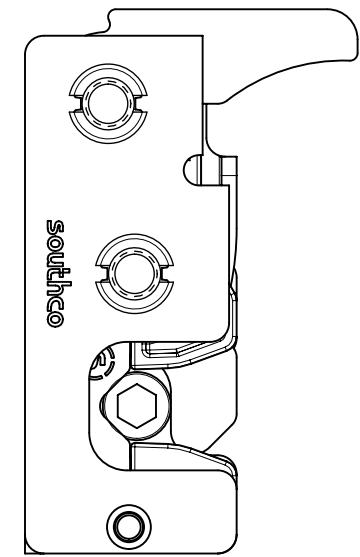
PRIMARY STAGE



SECONDARY STAGE



LATCHED STAGE



NOTES:

- A. THE TOLERANCE BETWEEN THE LATCH AND STRIKER BOLT ASSUMES A NON-RIGID DOOR INSTALLATION THAT WILL ALLOW THE DOOR TO MOVE INTO THE NOMINAL POSITION DURING LATCHING. RIGID DOORS MUST HAVE THE STRIKER INSTALLED PER THE PANEL PREPARATION RECOMMENDATION.
- B. THE MISALIGNMENT VIEW ASSUMES THE LATCH IS CONNECTED TO A PERFECTLY RIGID DOOR AND HINGE; THEREFORE, THERE IS NO DOOR AND/OR HINGE SLACK ASSOCIATED WITH THESE DIMENSIONS. THE MISALIGNMENT VIEW DOES NOT TAKE FLEXING OF THE STRIKER BOLT INTO ACCOUNT.

R4-10-X0-X05-20	Ø 7.2 THRU	Ø 7.2 [.299]
R4-10-X1-X05-20	1/2-20 THREAD	Ø 6.8 [.268]
R4-10-X2-X05-20	M6X1 THREAD	Ø 6.4 [.252]
PART NUMBER	MOUNTING STYLE	MINIMUM PANEL HOLE

	THIRD ANGLE PROJECTION	southco [®] CONNECT • CREATE • INNOVATE
	MILLIMETERS [IN]	
	TOLERANCES UNLESS OTHERWISE NOTED	DESCRIPTION R4 MINI ROTARY LATCH, SS LEFT HAND - IB - STAINLESS
	ALL DIMENSIONS WITHOUT TOLERANCES ARE FOR REFERENCE ONLY.	SIZE SYSTEM DWG NO. B NX J-R4-10-5BL-20
PROPRIETARY ITEM EXCEPT FOR USES EXPRESSLY GRANTED IN WRITING, INFORMATION DISCLOSED HEREON IS CONFIDENTIAL AND ALL RIGHTS, PATENT AND OTHERWISE, ARE RESERVED BY SOUTHCO, INC.	PER ASME Y14.5M-1994	DRAWN BY DATE SCALE SHEET CMG/DGJ 03SEP2014 1:1 2 OF 3

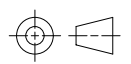
REVISION HISTORY			
REV	DATE	BY	DESCRIPTION
B	05FEB2018	RKS/VK	PRN: P2018-0325

OPTIONAL CABLE ASSEMBLY
MOUNTING BRACKET
PART NUMBER AC-900-02-10
(SOLD SEPARATELY)

OPTIONAL LINK RETAINER
PART NUMBER R4-0-43922-2
(SOLD SEPARATELY)

CABLE ASSEMBLY
SEE J-AC-C

TOP ACTUATION SHOWN

THIRD ANGLE PROJECTION 		southco [®] CONNECT • CREATE • INNOVATE	
MILLIMETERS [IN]			
TOLERANCES UNLESS OTHERWISE NOTED		DESCRIPTION R4 MINI ROTARY LATCH, SS LEFT HAND - 1B - STAINLESS	
ALL DIMENSIONS WITHOUT TOLERANCES ARE FOR REFERENCE ONLY.		SIZE B	SYSTEM NX
PER ASME Y14.5M-1994		DWG NO. J-R4-10-5BL-20	DATE 03SEP2014
DRAWN BY CMG/DGJ		SCALE 1:1	SHEET 3 OF 3

PROPRIETARY ITEM
EXCEPT FOR USES EXPRESSLY GRANTED
IN WRITING, INFORMATION DISCLOSED
HEREON IS CONFIDENTIAL AND ALL
RIGHTS, PATENT AND OTHERWISE,
ARE RESERVED BY SOUTHCO, INC.