

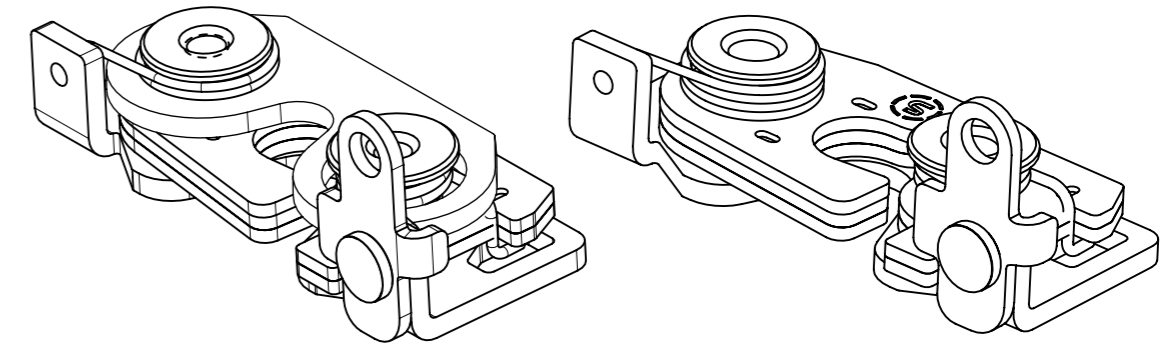
R4-30-2 I-10 B-M

REVISION HISTORY			
REV	DATE	BY	DESCRIPTION
C	30MAR2021	ABK/VK	PRN: P2021-0640

- I MOUNTING OPTION**
 0 6.7 mm THRU HOLE
 1 1/4-20 THREAD
 2 M6 THREAD

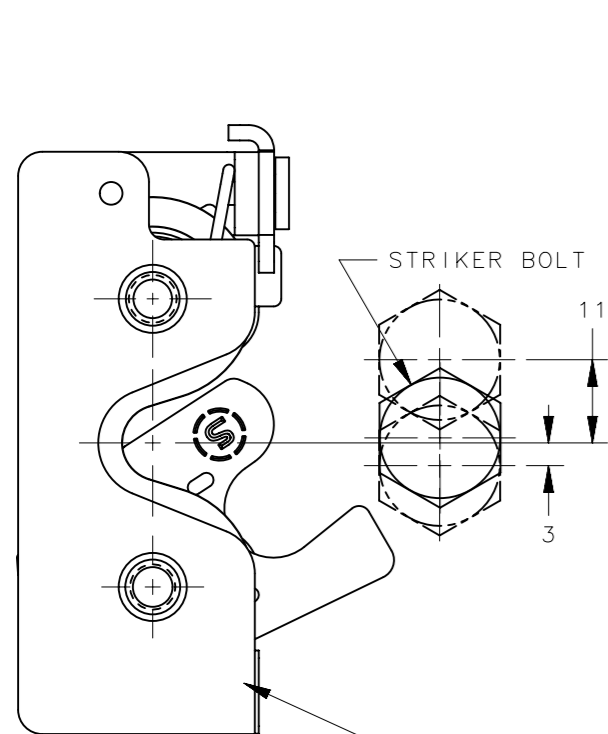
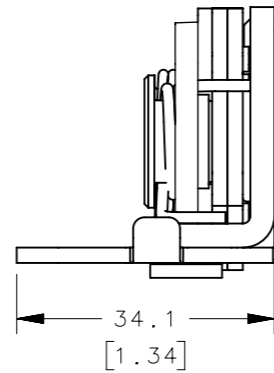
- B LATCHING**
 1 STANDARD
 5 INTEGRATED BUMPER

- M MATERIAL**
 10 STEEL, ZINC PLATED
 15 STEEL, BLACK ZINC NICKEL PLATED
 77 STEEL, ZINC NICKEL PLATED

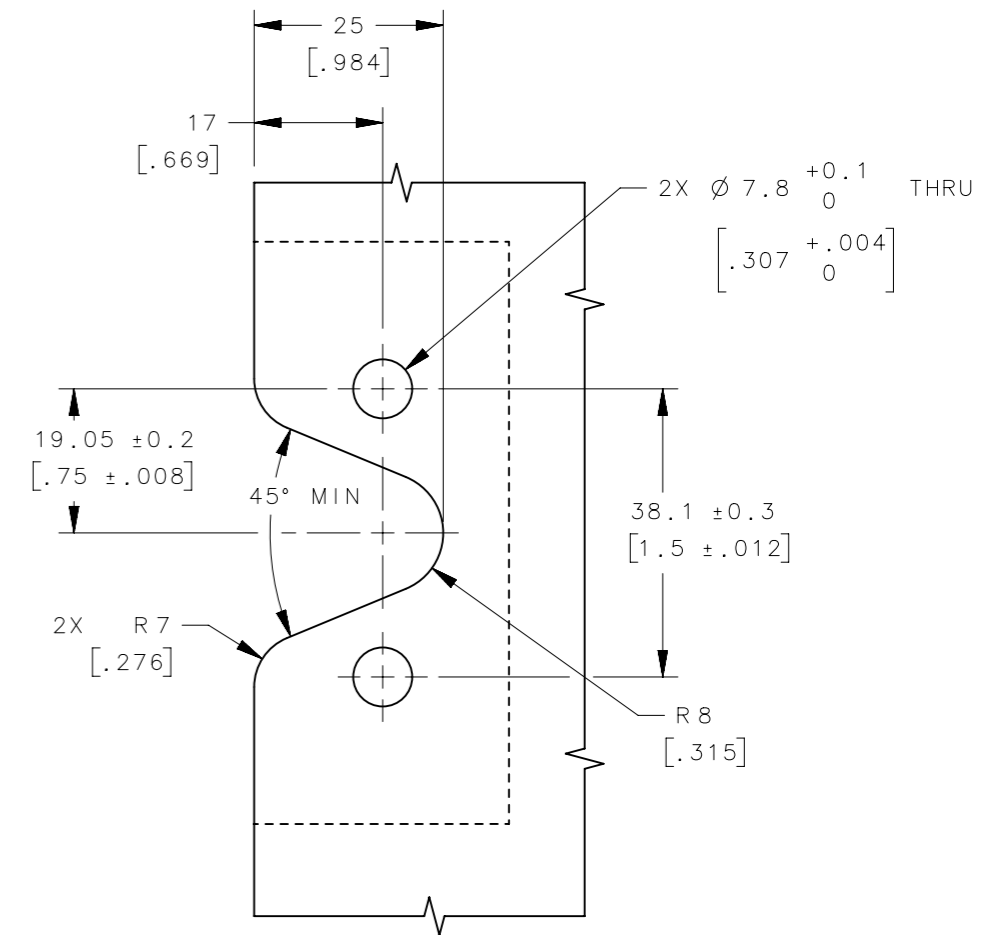
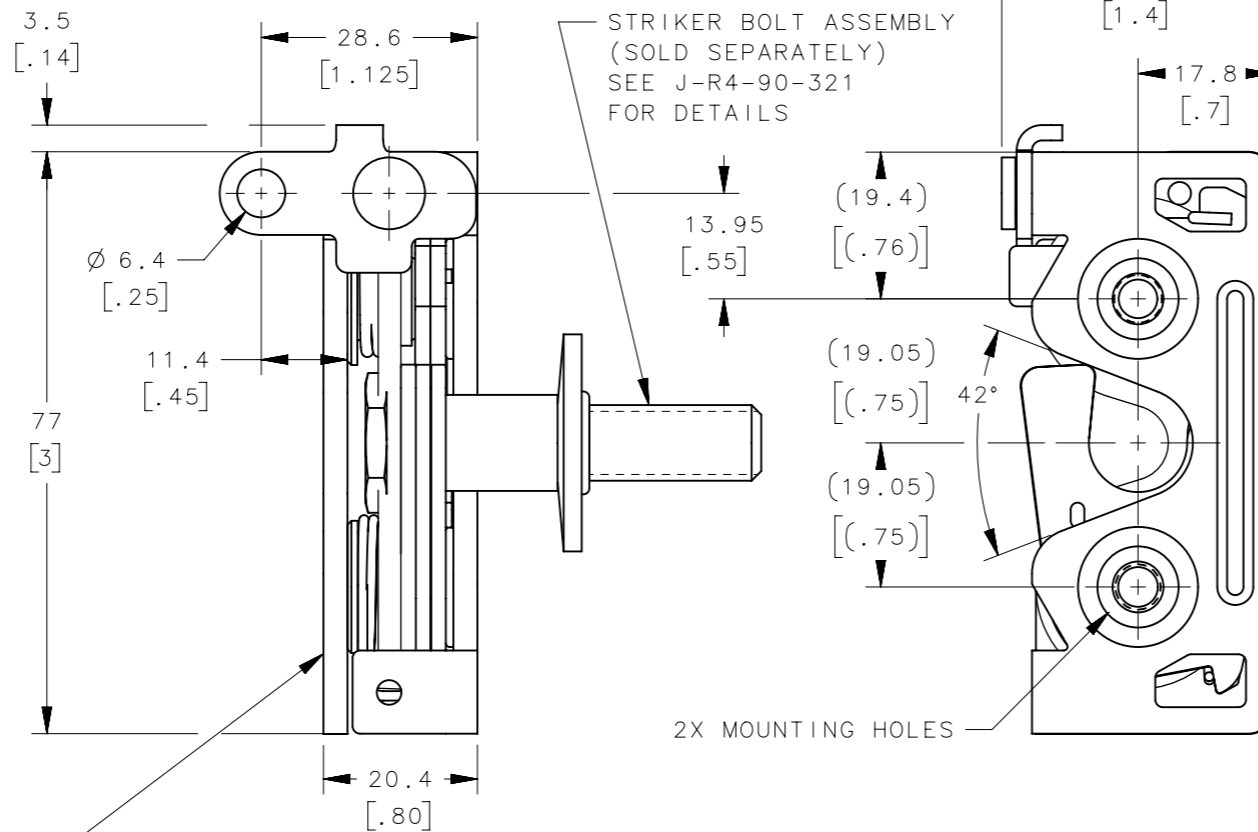


R4-30-2 I-105-M
INTEGRATED BUMPER

R4-30-2 I-101-M
STANDARD



MISALIGNMENT VIEW
(SEE NOTE 2)



PANEL PREPARATION

OPTIONAL: (SOLD SEPARATELY)
SUPPORT PLATE (R4-38-101-10)
SEE J-R4-38-101 FOR DETAILS

NOTES:

- MATERIAL AND FINISH:**
 A. HOUSING, LEVER AND INTERNAL COMPONENTS: STEEL
 B. PAWL AND TRIGGER: HARDENED STEEL
 C. SPRINGS: STAINLESS STEEL, PASSIVATED
- THE MISALIGNMENT VIEW ASSUMES THE LATCH IS CONNECTED TO A PERFECTLY RIGID DOOR AND HINGE; THEREFORE, THERE IS NO DOOR AND/OR HINGE SLACK ASSOCIATED WITH THESE DIMENSIONS, THE MISALIGNMENT VIEW DOES NOT TAKE FLEXING OF THE STRIKER BOLT INTO ACCOUNT.
- SAME AS R4-30-4X-101-10 EXCPET SINGLE STAGE.

THIRD ANGLE PROJECTION						
MILLIMETERS [IN]	DESCRIPTION					
TOLERANCES UNLESS OTHERWISE NOTED	R4 LATCH ASSEMBLY - PERPENDICULAR LH, STEEL, SINGLE STAGE					
ALL DIMENSIONS WITHOUT TOLERANCES ARE FOR REFERENCE ONLY	SIZE	SYSTEM	DWG NO.	DESCRIPTION		
PER ASME Y14.5M-1994	A3	NX	J-R4-30-20-101-10	R4 LATCH ASSEMBLY - PERPENDICULAR LH, STEEL, SINGLE STAGE		
PROPRIETARY ITEM	DRAWN BY	DATE	SCALE	SHEET		
EXCEPT FOR USES EXPRESSLY GRANTED IN WRITING, INFORMATION DISCLOSED HEREON IS CONFIDENTIAL AND ALL RIGHTS, PATENT AND OTHERWISE, ARE RESERVED BY SOUTHCO, INC.	RKS/VK	11DEC2019	1:1	1 OF 1		