

R4-30-1 I -30 B-M

REVISION HISTORY			
REV	DATE	BY	DESCRIPTION
C	29MAR2021	ABK/VK	PRN: P2021-0594

I MOUNTING OPTION

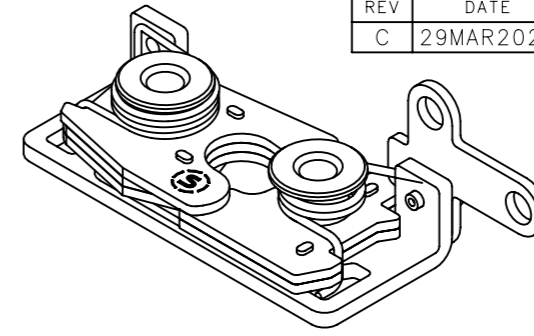
- 0 6.7 mm THRU HOLE
- 1 1/4-20 THREAD
- 2 M6 THREAD

B LATCHING

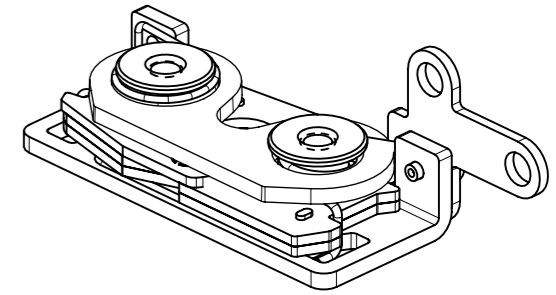
- 1 STANDARD
- 5 INTEGRATED BUMPER

M MATERIAL

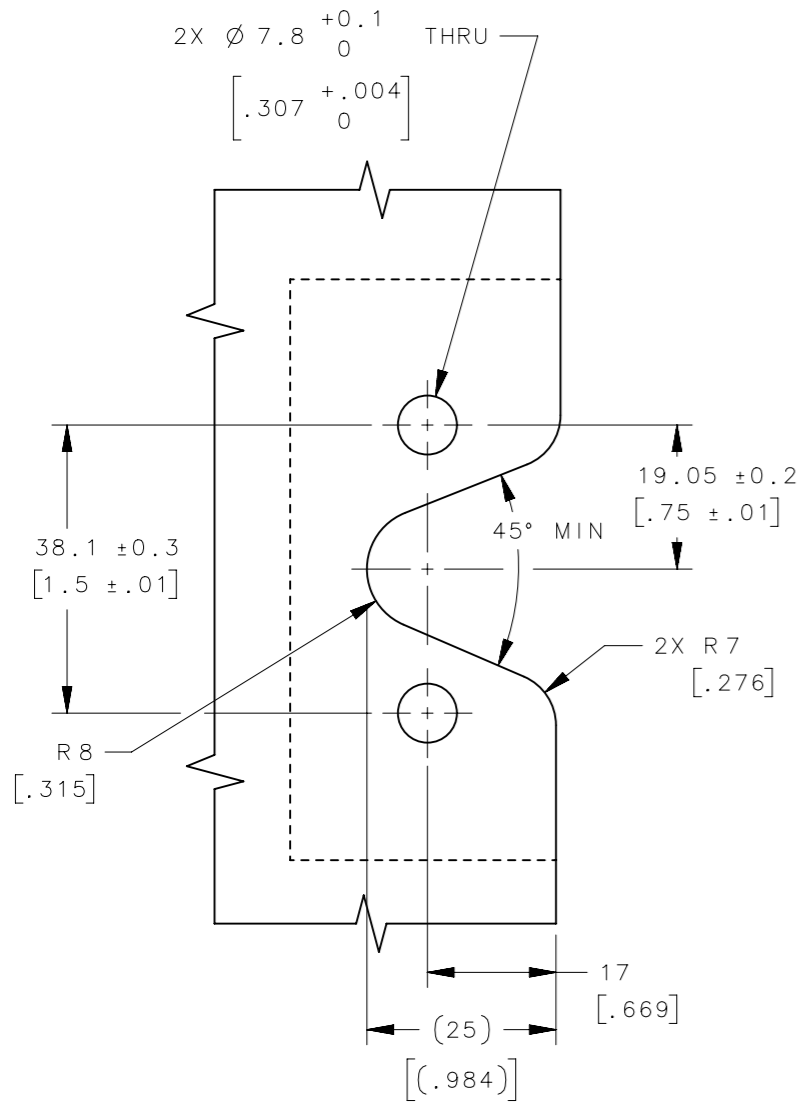
- 10 STEEL, ZINC PLATED
- 15 STEEL, BLACK ZINC NICKEL PLATED
- 77 STEEL, ZINC NICKEL PLATED



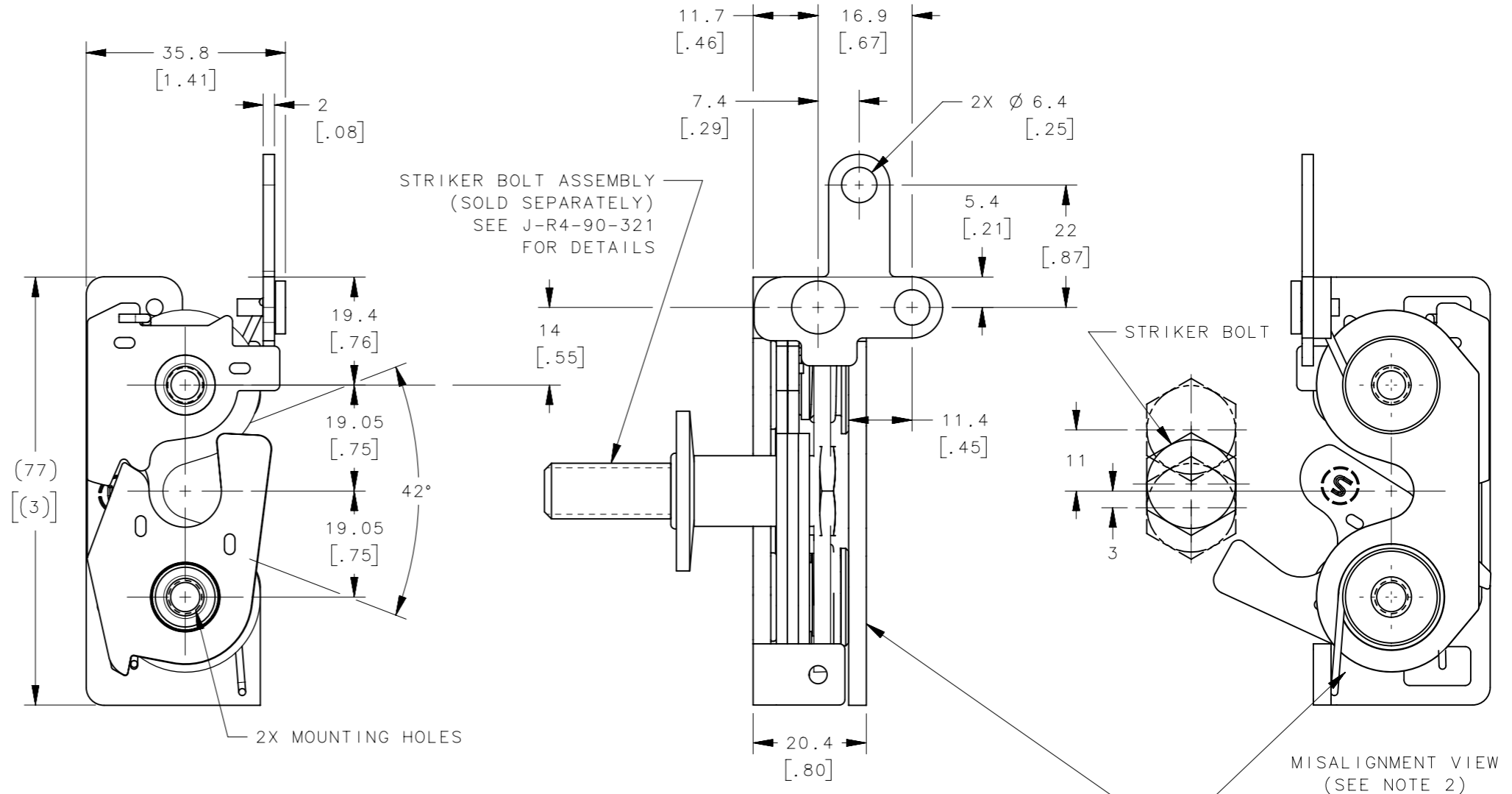
R4-30-11-301-M
(STANDARD)
SCALE 3:4



R4-30-11-305-M
(INTEGRATED BUMPER)
SCALE 3:4



PANEL PREPARATION



OPTIONAL: (SOLD SEPARATELY)
 SUPPORT PLATE (R4-38-101-10)
 SEE J-R4-38-101 FOR DETAILS

NOTES:

1. MATERIAL AND FINISH:
 A. HOUSING, LEVER AND INTERNAL COMPONENTS: STEEL
 B. PAWL AND TRIGGER: HARDENED STEEL
 C. SPRINGS: STAINLESS STEEL, PASSIVATED
2. THE MISALIGNMENT VIEW ASSUMES THE LATCH IS CONNECTED TO A PERFECTLY RIGID DOOR AND HINGE; THEREFORE, THERE IS NO DOOR AND/OR HINGE SLACK ASSOCIATED WITH THESE DIMENSIONS, THE MISALIGNMENT VIEW DOES NOT TAKE FLEXING OF THE STRIKER BOLT INTO ACCOUNT.
3. SAME AS R4-30-3X-301-10 EXCEPT SINGLE STAGE.

THIRD ANGLE PROJECTION				southco [®] CONNECT • CREATE • INNOVATE		
TOLERANCES UNLESS OTHERWISE NOTED				DESCRIPTION		
ALL DIMENSIONS WITHOUT TOLERANCES ARE FOR REFERENCE ONLY				R4 LATCH ASSEMBLY - TWO POINT RH, STEEL, SINGLE STAGE		
PROPRIETARY ITEM EXCEPT FOR USES EXPRESSLY GRANTED IN WRITING, INFORMATION DISCLOSED HEREON IS CONFIDENTIAL AND ALL RIGHTS, PATENT AND OTHERWISE, ARE RESERVED BY SOUTHCO, INC.		SIZE A3	SYSTEM NX	DWG NO. J-R4-30-10-301-10		
PER ASME Y14.5M-1994		DRAWN BY RKS/VK	DATE 11DEC2019	SCALE 1:1	SHEET 1 OF 1	