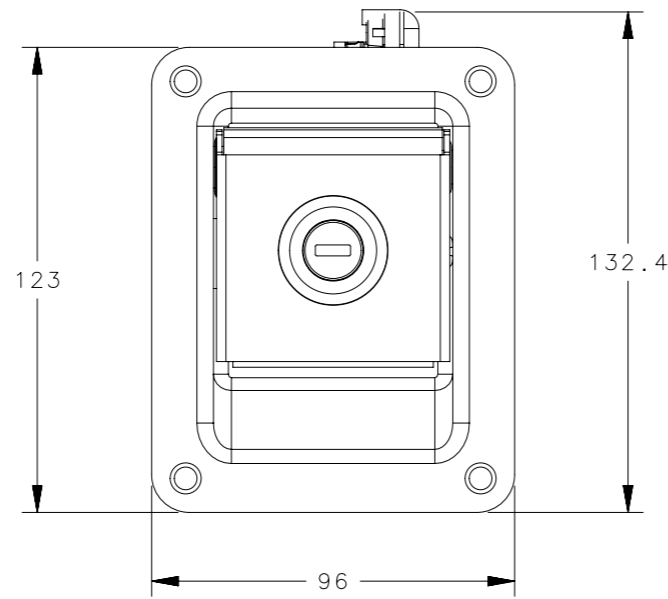
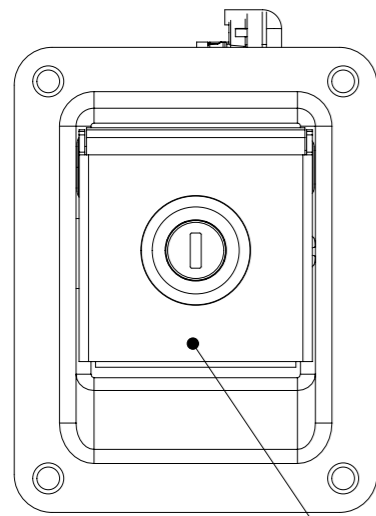


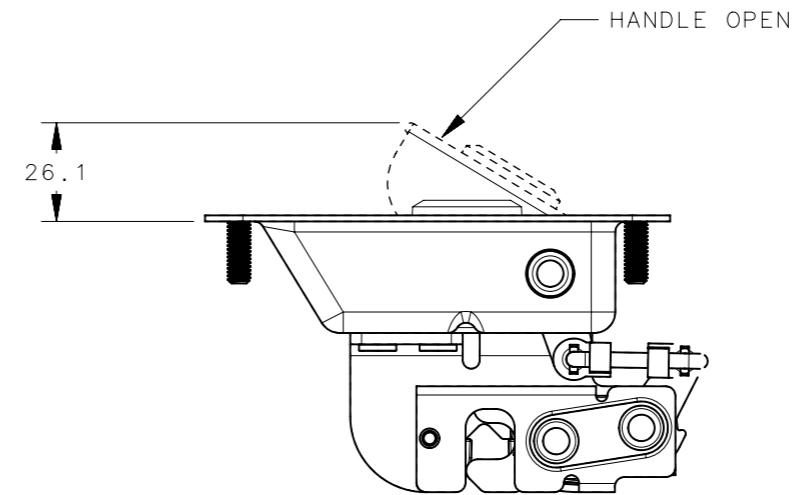
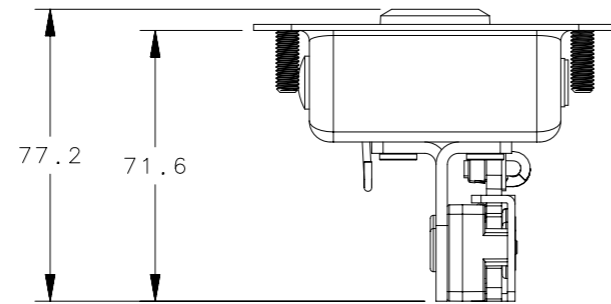
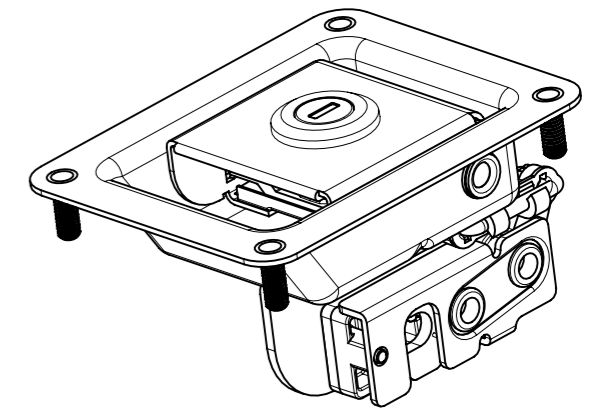
REVISION HISTORY			
REV	DATE	BY	DESCRIPTION
B	01MAR2019	ASM/BGL	PRN: P2019-0521

UNLOCKED

LOCKED



FRONT SIDE



NOTES:

- LATCH TO BE SHIPPED IN THE UNLOCKED POSITION, INDIVIDUALLY WRAPPED AND LAYER PACKED IN BOX.
- INSTALLATION: SEE PAGE TWO FOR PANEL PREP  
FOR H = 2, RECOMMENDED HARDWARE SIZE: M5 OR #8 SCREW  
FOR H = 4, MAX RECOMMENDED INSTALL TORQUE FOR M6 MOUNTING NUTS: 7N-m. M6 NUTS NOT INCLUDED.
- SEE PAGE 2 FOR PANEL PREP AND STRIKER INFORMATION. LATCH TO ENGAGE WITH 9.37mm ±0.08 STRIKER DIAMETER. RECOMMENDED SOUTHCO STRIKER PART NUMBER R4-90-121-XX. SEE DRAWING J-R4-90-121 FOR DETAILS.
- MATERIAL AND FINISH  
CUP AND HANDLE; STEEL + ZINC PLATE OR POWDERCOAT  
LOCK SLIDE/SHIM/RING, LATCH FRAME, PAWL, TRIGGER: STEEL + ZINC PLATE  
LATCH BUMPER: NITRILE RUBBER, BLACK  
LATCH INTERNAL GUIDE: ACETAL, BLACK  
ACTUATOR ARM, NUT: ZINC DIE CAST + ZINC PLAT  
LOCKPLUG HOUSING: ZINC DIE CAST + CHROME PLATE  
LOCKPLUG: ZINC DIE CAST, STAINLESS STEEL, BRASS  
SPRINGS, PINS, RIVETS: STAINLESS STEEL, NATURAL

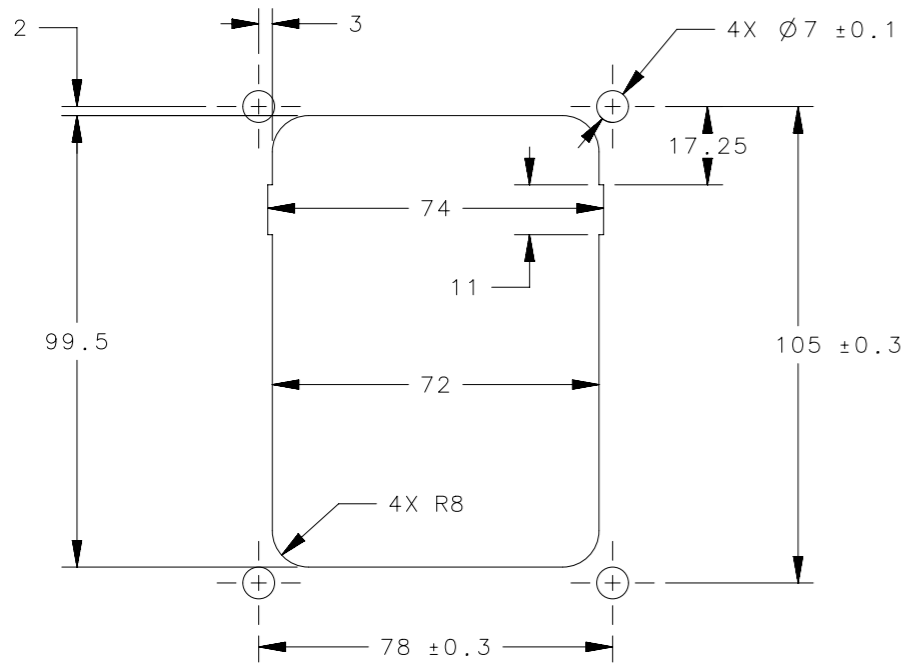
	THIRD ANGLE PROJECTION			
	MILLIMETERS [IN]			
SURFACE AREA	TOLERANCES UNLESS OTHERWISE NOTED	DESCRIPTION LIFT PADDLE ROTARY LATCH		
VOLUME	ALL DIMENSIONS WITHOUT TOLERANCES ARE FOR REFERENCE ONLY.	SIZE A3	SYSTEM NX	DWG NO. J-R4-82
PROPRIETARY ITEM EXCEPT FOR USES EXPRESSLY GRANTED IN WRITING, INFORMATION DISCLOSED HEREON IS CONFIDENTIAL AND ALL RIGHTS, PATENT AND OTHERWISE, ARE RESERVED BY SOUTHCO, INC.	PER ASME Y14.5M-1994	DRAWN BY ASM	DATE 14DEC2018	SCALE 1:2
				SHEET 1 OF 2

REVISION HISTORY			
REV	DATE	BY	DESCRIPTION
B	01MAR2019	ASM/BGL	PRN: P2019-0521

# PANEL PREP

MAX RECOMMENDED PANEL THICKNESS - 10mm

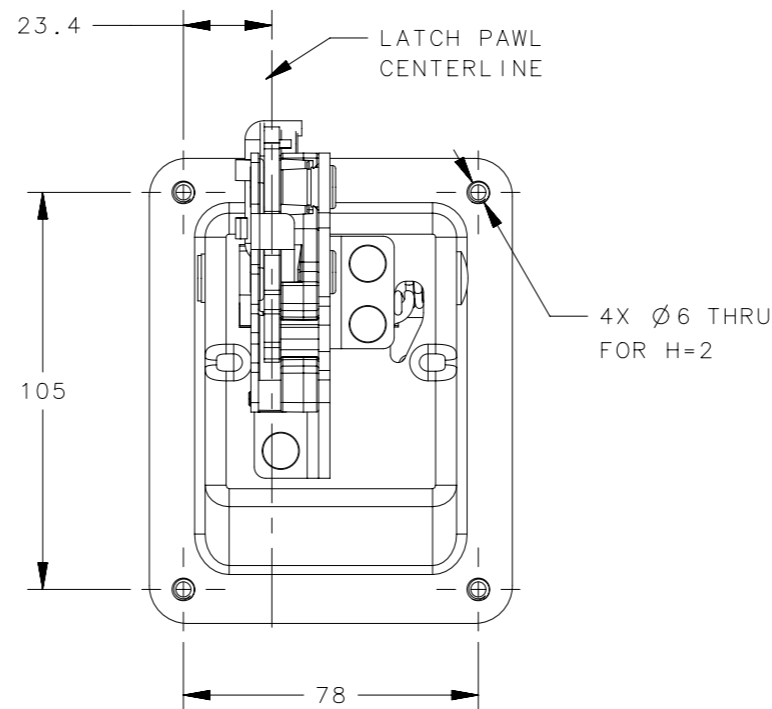
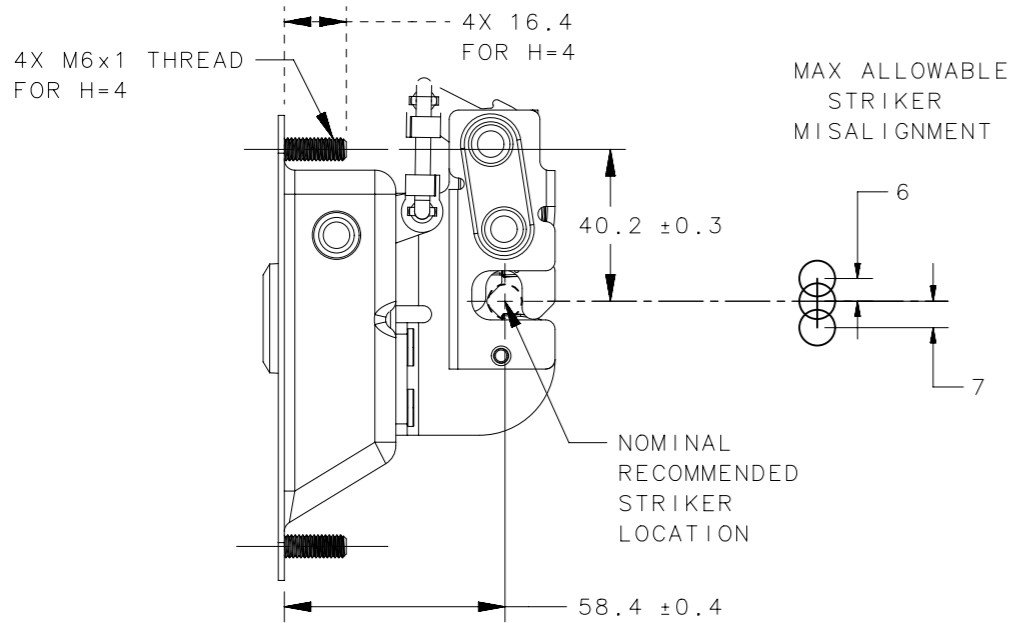
PART NUMBER: R4-82-SLH-PP-KC



- S = STAGE
- 6 - SINGLE STAGE WITH INTEGRATED BUMPER
- 8 - DUAL STAGE WITH INTEGRATED BUMPER
  
- L = LOCKING OPTION
- 1 - REVERSIBLE KEY (NO KEYS - R001)
- 2 - REVERSIBLE KEY (2 KEYS INCLUDED - R001)
- 3 - REVERSIBLE KEY (KEYED DIFFERENTLY - 2 KEYS INCLUDED)
- 4 - STANDARD KEY (NO KEYS - CH751)
- 5 - STANDARD KEY (2 KEYS INCLUDED - CH751)
- 6 - STANDARD KEY (KEYED DIFFERENTLY - 2 KEYS INCLUDED)
- 7 - REVERSIBLE KEY, 14603 CODE (2 KEYS INCLUDED)
- 9 - NO LOCKPLUG INSTALLED

- H = HOUSING
- 2 - Ø5.2mm THRU HOLES
- 4 - PRESS-IN M6 STUDS
  
- PP = PADDLE FINISH
- 10 - STEEL, ZINC PLATED
- 50 - STEEL, BLACK POWDER COATED

- KC = KEY CODES
- KD10 - KEYED DIFFERENTLY (FOR L = 3 OR 6 ONLY)
- MK10 - MASTER KEYED DIFFERENTLY (FOR L = 6 ONLY)
- MASTER KEY PART NUMBER PK-24-01
- \*SUPPLIED IN MULTIPLES OF 10 WITH 10 DIFFERENT KEY CODES



THIRD ANGLE PROJECTION		 CONNECT • CREATE • INNOVATE	
MILLIMETERS [IN]			
SURFACE AREA		DESCRIPTION	
VOLUME		LIFT PADDLE ROTARY LATCH	
PROPRIETARY ITEM		SIZE	DWG NO.
EXCEPT FOR USES EXPRESSLY GRANTED IN WRITING, INFORMATION DISCLOSED HEREON IS CONFIDENTIAL AND ALL RIGHTS, PATENT AND OTHERWISE, ARE RESERVED BY SOUTHCO, INC.		A3	J-R4-82
PER ASME Y14.5M-1994		SYSTEM	SCALE
		NX	3:5
		DRAWN BY	SHEET
		ASM	2 OF 2
		DATE	
		14DEC2018	