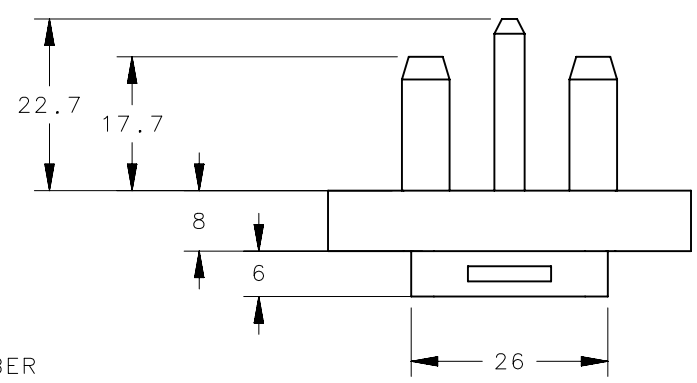
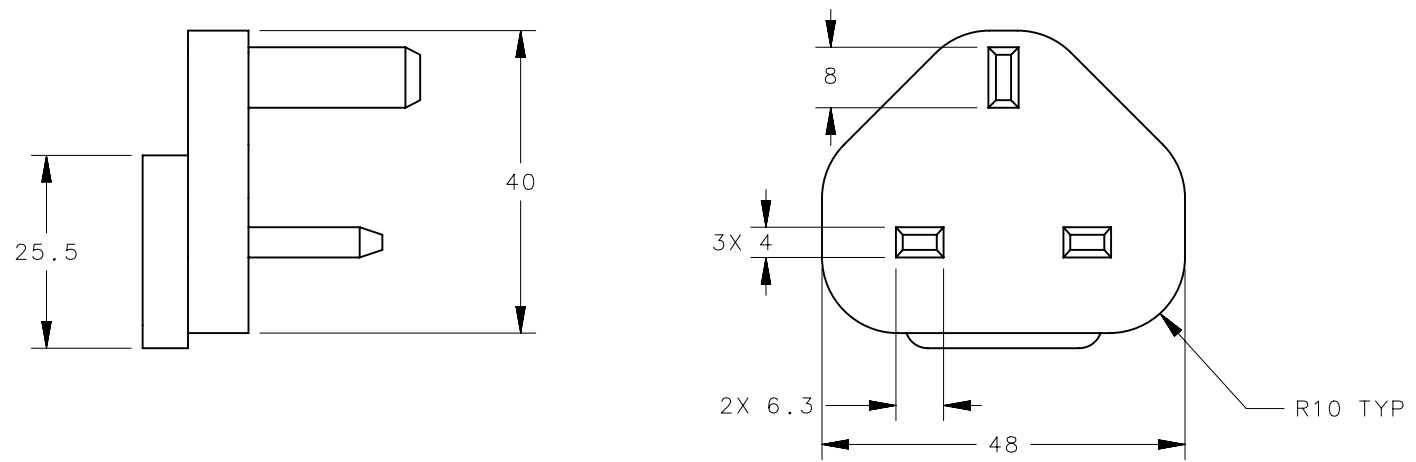
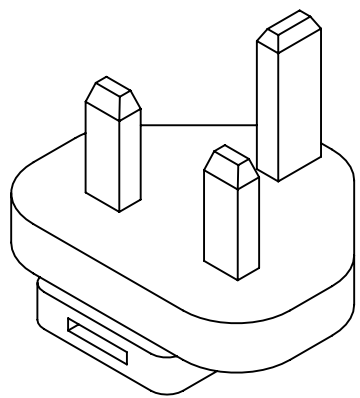


REVISION HISTORY			
REV	DATE	BY	DESCRIPTION
A	02MAR2010	ACH/ACH	PRN: INITIAL RELEASE



- NOTES:
1. COMPATIBLE WITH SOUTHCO PART NUMBER EA-A02-002.
 2. MATERIAL: HIGH IMPACT PLASTIC, 94V0 POLYCARBONATE, NON-VENTED, COLOR: BLACK.
 3. CONNECTOR: UK 3 PINS CLASS II
 4. ROHS COMPLIANT.

	THIRD ANGLE PROJECTION				
	MILLIMETERS [IN]				
	TOLERANCES UNLESS OTHERWISE NOTED	DESCRIPTION EA INPUT CONNECTOR UK INPUT			
SURFACE AREA XXXXXmm ²	ALL DIMENSIONS WITHOUT TOLERANCES ARE FOR REFERENCE ONLY.	SIZE A4	SYSTEM NX	DWG NO. J-EA-A02-002-3	
VOLUME XXXXXmm ³		PER ASME Y14.5M-1994		DRAWN BY ACH/ACH	DATE 15MAR2010
<small>PROPRIETARY ITEM EXCEPT FOR USES EXPRESSLY GRANTED IN WRITING, INFORMATION DISCLOSED HEREON IS CONFIDENTIAL AND ALL RIGHTS, PATENT AND OTHERWISE, ARE RESERVED BY SOUTHCO, INC.</small>				SHEET 1 OF 1	