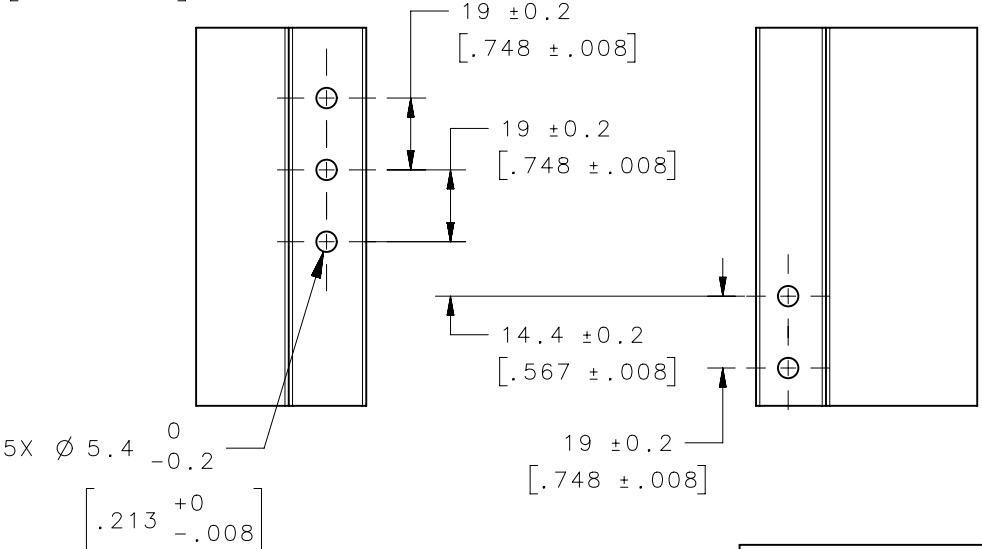
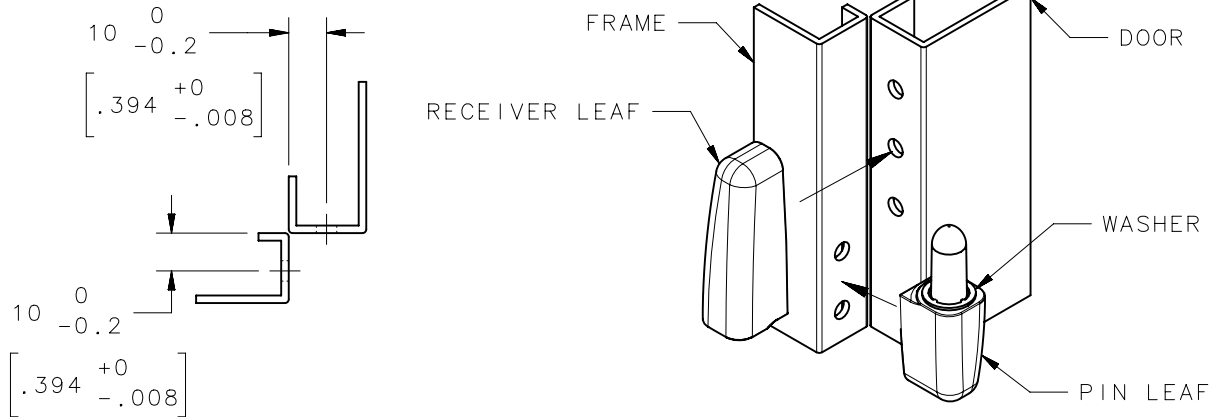
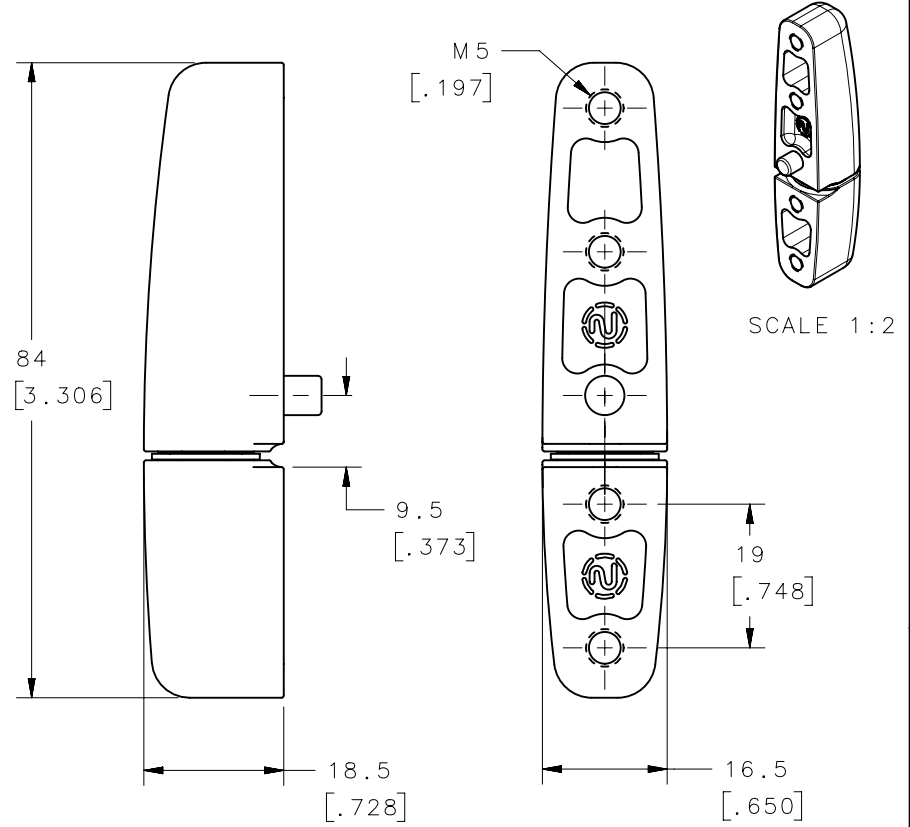


REVISION HISTORY			
REV	DATE	BY	DESCRIPTION
B	16JUL2012	DMS/YGC	PRN: P2012-0943



PANEL PREPARATION
SCALE 1:2



PART NUMBER	TYPE OF COMPONENT	MATERIAL	FINISH
-	RECEIVER LEAF	SEE NOTE B	BRIGHT POLISH
96-15-500-11	WASHER	NYLON	-
-	PIN LEAF	SEE NOTE B	BRIGHT POLISH
-	PIN ASSEMBLY	-	-
96-MA-80-24	ASSEMBLY	-	-

THIRD ANGLE PROJECTION

MILLIMETERS [IN]

TOLERANCES UNLESS OTHERWISE NOTED

ALL DIMENSIONS WITHOUT TOLERANCES ARE FOR REFERENCE ONLY.

PER ASME Y14.5M-1994

PROPRIETARY ITEM
EXCEPT FOR USES EXPRESSLY GRANTED IN WRITING, INFORMATION DISCLOSED HEREON IS CONFIDENTIAL AND ALL RIGHTS, PATENT AND OTHERWISE, ARE RESERVED BY SOUTHCO, INC.

southco[®]
CONNECT • CREATE • INNOVATE

DESCRIPTION
NO.96 LIFT OFF HINGE
ASSEMBLY INLINE STYLE

SIZE A4 SYSTEM NX DWG NO. J-96-MA-80-24

DRAWN BY VMV/VGV DATE 10JUN2008 SCALE 1:1 SHEET 1 OF 1

- NOTES:
- A. ATTACH HINGE WITH M5X0.8 SCREWS. MAXIMUM SCREW LENGTH = DOOR OR FRAME THICKNESS+10.16.
 - B. MATERIAL AND FINISH: CF-8M STAINLESS STEEL (NOMINAL CAST EQUIVALENT OF 316 STAINLESS STEEL.)