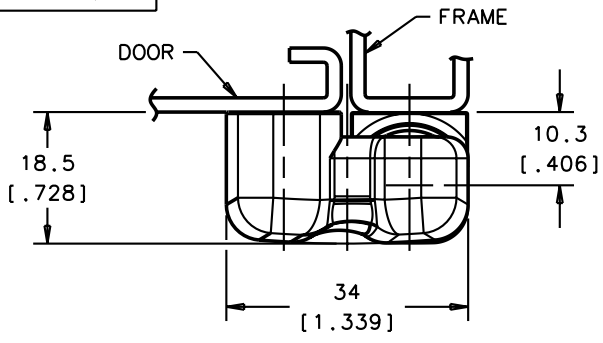


PROPRIETARY ITEM
 EXCEPT FOR USES EXPRESSLY GRANTED
 IN WRITING, INFORMATION DISCLOSED
 HEREON IS CONFIDENTIAL AND ALL
 RIGHTS, PATENT AND OTHERWISE,
 ARE RESERVED BY SOUTHCO, INC.

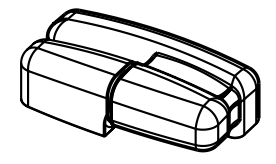
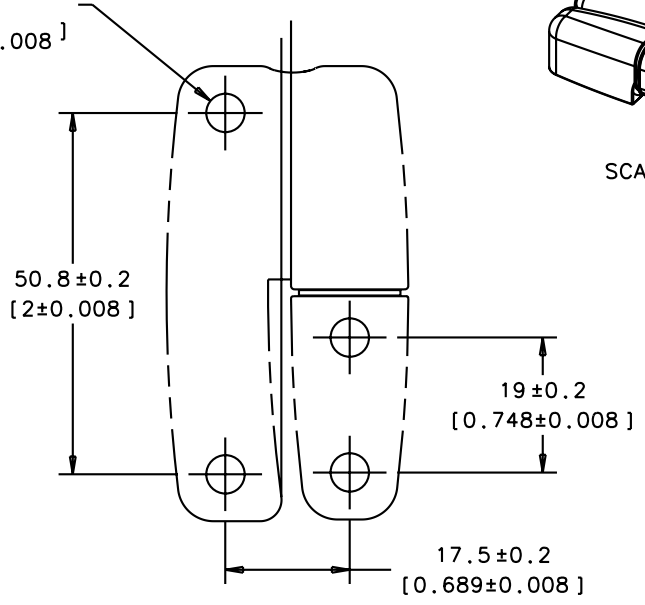
REVISION HISTORY

REV	DATE	DRAWN	CHECKED	DESCRIPTION
A	08AUG2008	DJK	RLR	PRN: P2008-0849
B	20AUG2008	DJK	RLR	PRN: P2008-0931

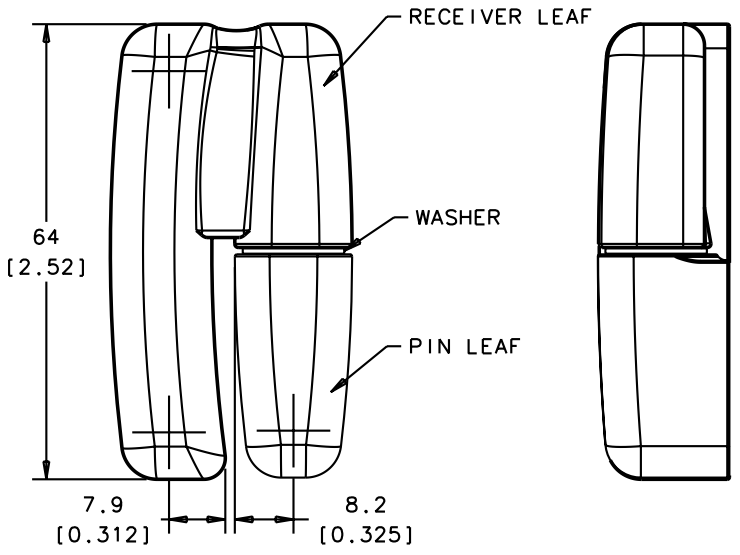


4X $\phi 5.4^{+0}_{-0.2}$
 $[0.213^{+0}_{-0.008}]$

PANEL PREPARATION



SCALE 1:2



- NOTES:
- A. ATTACH HINGE WITH M5 X 0.8 SCREWS. RECOMMENDED TIGHTENING TORQUE 2.6 N*m [34 IN-LBS]
 - B. MAXIMUM SCREW LENGTH: DOOR OR FRAME THICKNESS PLUS 10.16.
 - C. MATERIAL AND FINISH:
 PIN AND RECEIVER LEAF- CF-8M STAINLESS STEEL (NOMINAL CAST EQUIVALENT OF 316 STAINLESS STEEL)

RECEIVER LEAF	-	SEE NOTE C	BRIGHT POLISH
WASHER	-	NYLON	-
PIN LEAF	-	SEE NOTE C	BRIGHT POLISH
PIN ASSEMBLY	-	-	-
ASSEMBLY	96-MA-8B-24	-	-
ITEM	PART NUMBER	MATERIAL	FINISH

THIRD ANGLE PROJECTION

ALL DIMENSIONS WITHOUT TOLERANCES ARE FOR REFERENCE ONLY.

MILLIMETERS [IN]

southco[®]
 CONNECT · CREATE · INNOVATE

TITLE
 NO.96-LIFT-OFF HINGE
 OFFSET STYLE, TYPE B

SIZE A4	SYSTEM I-DEAS	DWG NO J-96-MA-8B-24
DRWN/CHKD VSA/VGV	DATE 08AUG2008	SCALE 1:1 SHEET 1 OF 1