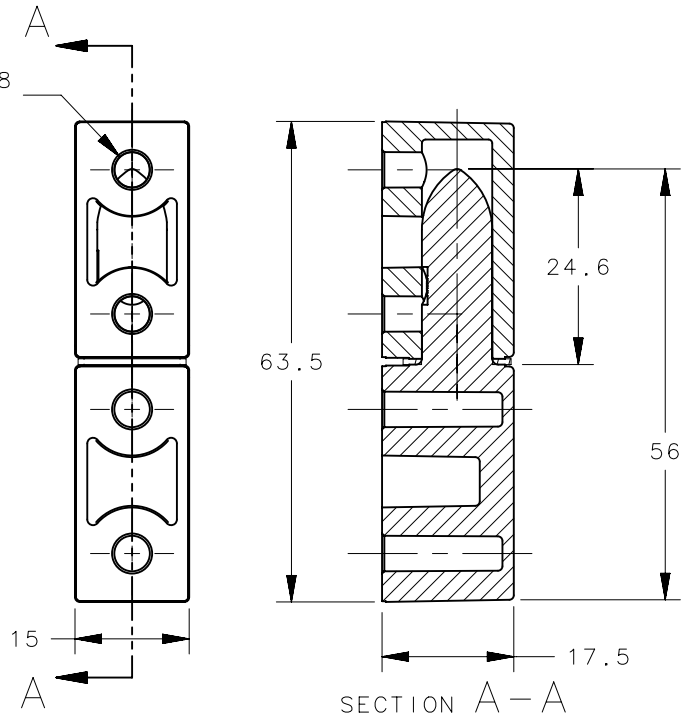


ATTACH HINGE WITH M5X 0.8
SCREWS. MAXIMUM SCREW LENGTH =
DOOR OR FRAME THICKNESS +5.08

REVISION HISTORY			
REV	DATE	BY	DESCRIPTION
1	25OCT2021	SSG/CBI	PRN: 2021-2007



-	1	WASHER	NYLON	BLACK
-	1	RECEIVER LEAF	DIE CAST ZINC	NATURAL
-	1	PIN LEAF	DIE CAST ZINC	NATURAL
96-50-500-33	-	ASSEMBLY	-	-
-	1	WASHER	NYLON	BLACK
-	1	RECEIVER LEAF	DIE CAST ZINC	BLACK POWDER COAT
-	1	PIN LEAF	DIE CAST ZINC	BLACK POWDER COAT
96-50-500-50	-	ASSEMBLY	-	-
PART NUMBER		ITEM	MATERIAL	FINISH

CPB NUMBER	THIRD ANGLE PROJECTION				<h1>southco®</h1> <p>CONNECT • CREATE • INNOVATE</p>			
	MILLIMETERS [IN]							
SURFACE AREA	TOLERANCES UNLESS OTHERWISE NOTED	DESCRIPTION NO. 96 LIFT OFF HINGE ASSEMBLY IN LINE STYLE						
VOLUME	ALL DIMENSIONS WITHOUT TOLERANCES ARE FOR REFERENCE ONLY.	SIZE A4	SYSTEM NX	DWG NO. J-96-50-500-50				
PROPRIETARY ITEM EXCEPT FOR USES EXPRESSLY GRANTED IN WRITING, INFORMATION DISCLOSED HEREON IS CONFIDENTIAL AND ALL RIGHTS, PATENT AND OTHERWISE, ARE RESERVED BY SOUTHCO, INC.	PER ASME Y14.5M-1994	DRAWN BY RHB	DATE 01JUL1987	SCALE 1:1	SHEET 1 OF 1			