



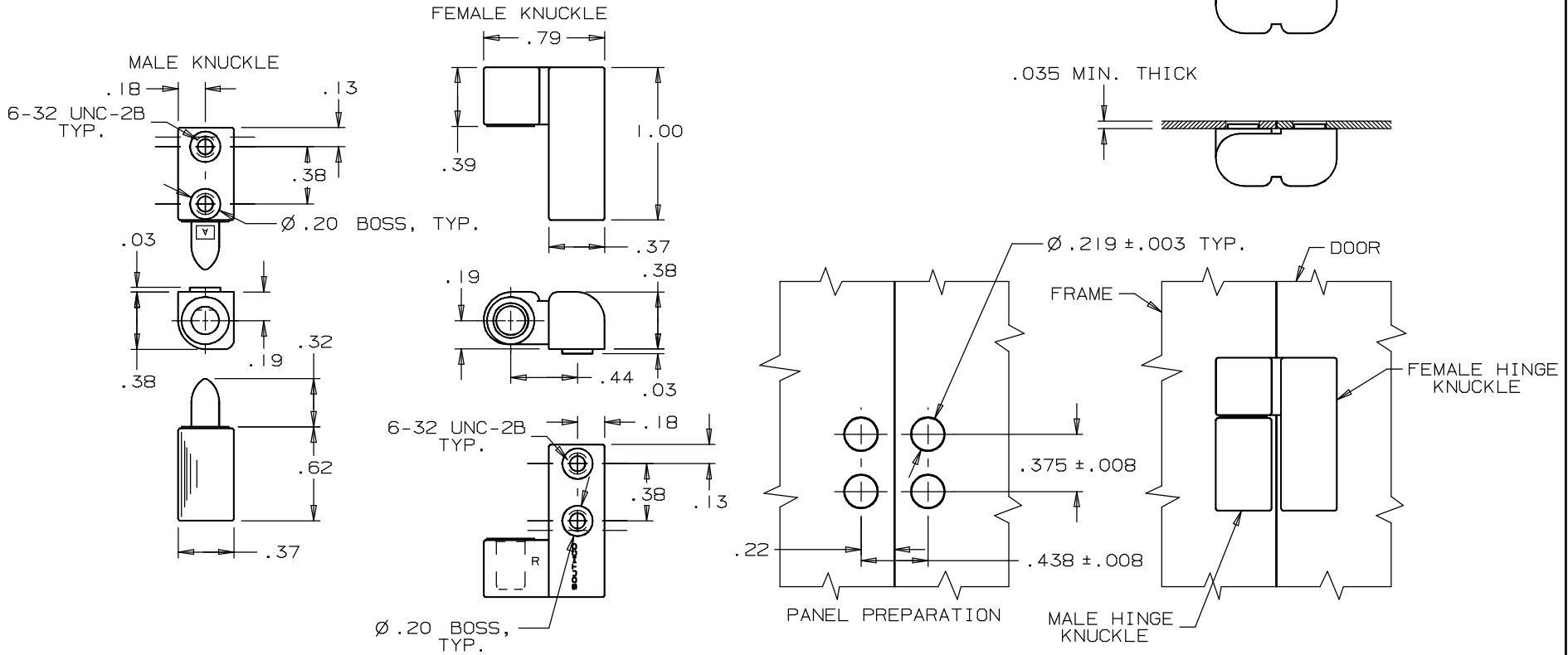
**SOUTHCO MINIATURE LIFT-OFF HINGE
TYPE-A OFFSET; 6-32 THREAD**

DATE	DRAWN	CHKD	SCALE	DRAWING NUMBER
8/15/89	RES		1:1	J-96-111

REV.	DATE	BY-CHKD	REVISIONS	ITEM	COMPONENT	PART NO.	MATERIAL	FINISH
A	12FEB93	KPL	PRN:S-1-03	ASSEMBLY		96-111		
B	25MAR93	JSS	PRN:96-52		MALE KNUCKLE		DIE CAST ZINC	BLACK POWDER COATED
C	09OCT96	SWD	PRN: S-93-23		FEMALE KNUCKLE		DIE CAST ZINC	BLACK POWDER COATED

NOTES:

- ATTACH WITH 6-32 UNC-2A SCREWS.
MAX. SCREW LENGTH IS DOOR OR
FRAME THICKNESS PLUS .200.
- TOLERANCE ON ENVELOPE DIMENSIONS
IS $\pm .015$.



FORMATA 3/88

PROPRIETARY ITEM - EXCEPT FOR USES EXPRESSLY GRANTED IN WRITING
INFORMATION DISCLOSED HEREON IS CONFIDENTIAL AND ALL RIGHTS PATENT
AND OTHERWISE ARE RESERVED BY SOUTHCO, INC.

DRAWING NUMBER
J-96-111