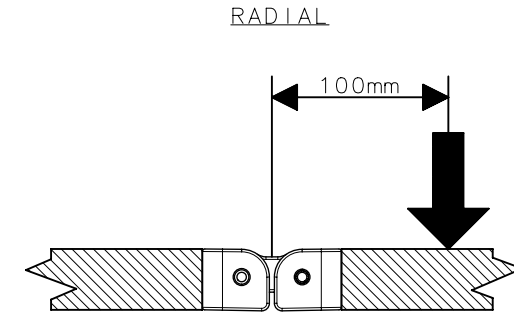
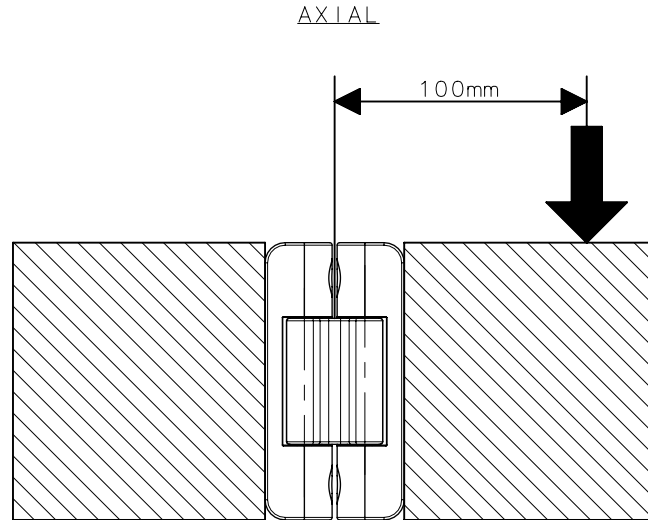


REVISION HISTORY			
REV	DATE	BY	DESCRIPTION
B	13OCT2022	JD/DMS	PRN: P2022-1824

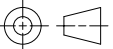



NOTES:
 A). TEST DATA BASED ON FOLOWING TEST'S:
 AXIAL: trAH-48964
 RADIAL: trAH-48963
 CYCLE: trAH-48346

SOUTHCO PERFORMANCE GUIDLINES :

THE PERFORMANCE GUIDLINES SHOWN ON THIS PAGE A SUPPLIED AS A GENERAL GUIDE ONLY, AS CONDITIONS VARY WITH EACH APPLICATION AND METHOD OF INSTALLATION. STRENGTH DATA GIVEN IS FOR FAILURE OF THE PRODUCT OR FOR SUFFICIENT DEFORMATION TO MAKE PRODUCT INOPERABLE. NO SAFETY FACTOR HAS BEEN APPLIED IT IS RECOMMENDED THAT THE USER REQUEST A PRODUCT SAMPLE FOR TESTING TO DETERMINE THE SUITABILITY OF THE PRODUCT FOR THE PURPOSE INTENDED AND USER'S PARTICULAR APPLICATION.

PART NUMBER	AVERAGE ULTIMATE LOAD N/lbf		CYCLE LIFE
	AXIAL	RADIAL	
AH-2E-12XXA2-XX	5800/1304	400/90	20,000

	THIRD ANGLE PROJECTION 	 CONNECT • CREATE • INNOVATE	
	MILLIMETERS [IN]		
	TOLERANCES UNLESS OTHERWISE NOTED	DESCRIPTION 12mm BIFOLD HINGE & CONTROLLED MOTION DEVICE	
	ALL DIMENSIONS WITHOUT TOLERANCES ARE FOR REFERENCE ONLY.	SIZE A4	SYSTEM NX
PROPRIETARY ITEM <small>EXCEPT FOR USES EXPRESSLY GRANTED IN WRITING, INFORMATION DISCLOSED HEREON IS CONFIDENTIAL AND ALL RIGHTS, PATENT AND OTHERWISE, ARE RESERVED BY SOUTHCO, INC.</small>	PER ASME Y14.5M-1994	DWG NO. TD-AH-2E-12	DATE 18AUG2022
		DRAWN BY CRM/DMS	SCALE 1:1.5
			SHEET 1 OF 1