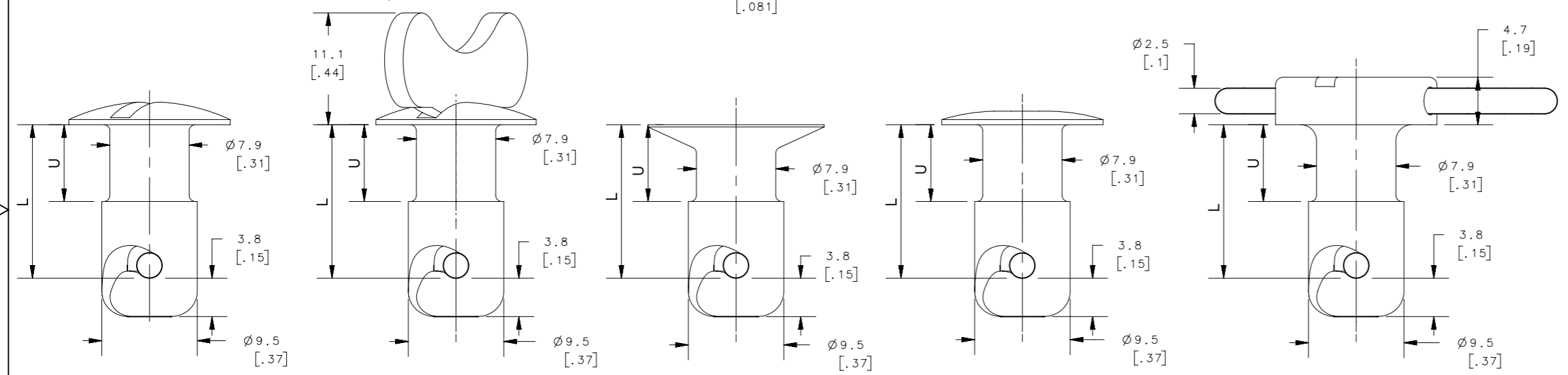
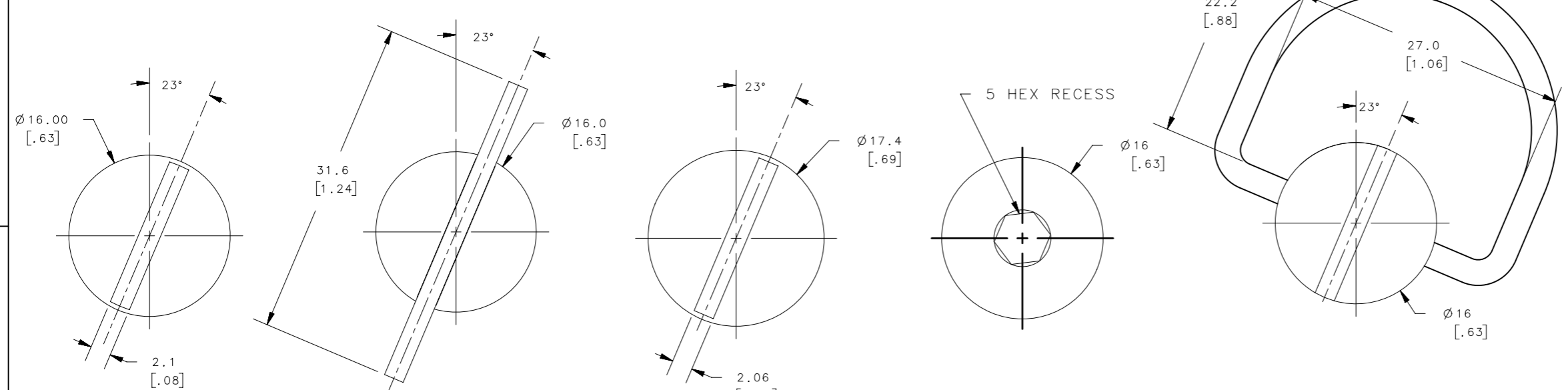


REVISION HISTORY			
REV	DATE	BY	DESCRIPTION
B	29DEC2022	GJL/DMS	PRN: P2022-2242



SLOT AJ **WING HEAD AJW** **FLUSH SLOT FJ** **HEX RECESS ASHJ** **BAIL HEAD BJR**

PART NUMBER

LENGTH
ENTER NUMBER FROM SELECTION TABLE

D 4 - H 6 - K M

MATERIAL/FINISH

NO SUFFIX: STEEL ZINC PLATED WITH CLEAR CHROMATE FINISH
EX: D4-AJ6-30
SS: STAINLESS STEEL, HEAT TREATED, PASSIVATED
EX: D4-AJ6-30SS
FOR NON STANDARD FINISHS, REFER TO SOUTHCO SPECIFICATION
J-D5-0-3
EX: D4-AJ6-30CBB

HEAD STYLE

- AJ SLOT
- AJW WING HEAD
- FJ FLUSH SLOT
- ASHJ HEX RECESS
- BJR BAIL HEAD

SELECTION TABLE

K	U	L
35	4.45[0.175]	8.89[0.350]
40	5.08[0.200]	10.16[0.400]
45	5.72[0.225]	11.43[0.450]
50	6.35[0.250]	12.70[0.500]
55	6.99[0.275]	13.97[0.550]
60	7.62[0.300]	15.24[0.600]
65	8.26[0.325]	16.51[0.650]
70	8.89[0.350]	17.78[0.700]
75	9.53[0.375]	19.05[0.750]
80	10.16[0.400]	20.32[0.800]
85	10.80[0.425]	21.59[0.850]
90	11.43[0.450]	22.86[0.900]
95	12.07[0.475]	24.13[0.950]
100	12.70[0.500]	25.40[1.000]
105	13.34[0.525]	26.67[1.050]
110	13.97[0.550]	27.94[1.100]
115	14.61[0.575]	29.21[1.150]
120	15.24[0.600]	30.48[1.200]
125	15.88[0.625]	31.75[1.250]
130	16.51[0.650]	33.02[1.300]
135	17.15[0.675]	34.29[1.350]
140	17.78[0.700]	35.56[1.400]
150	18.42[0.725]	38.10[1.500]
155	19.05[0.750]	39.37[1.550]
160	19.69[0.775]	40.64[1.600]
165	20.32[0.800]	41.91[1.650]
170	20.96[0.825]	43.18[1.700]
175	21.59[0.850]	44.45[1.750]
180	22.23[0.875]	45.72[1.800]
185	22.86[0.900]	46.99[1.850]
190	23.50[0.925]	48.26[1.900]
195	24.13[0.950]	49.53[1.950]
200	24.77[0.975]	50.80[2.000]
205	25.40[1.000]	52.07[2.050]
210	26.04[1.025]	53.34[2.100]
215	26.67[1.050]	54.61[2.150]
220	27.31[1.075]	55.88[2.200]
225	27.94[1.100]	57.15[2.250]
230	28.58[1.125]	58.42[2.300]
235	29.21[1.150]	59.69[2.350]
240	29.85[1.175]	60.96[2.400]
245	30.48[1.200]	62.23[2.450]
250	31.12[1.225]	63.50[2.500]

THIRD ANGLE PROJECTION

MILLIMETERS [IN]

TOLERANCES UNLESS OTHERWISE NOTED

ALL DIMENSIONS WITHOUT TOLERANCES ARE FOR REFERENCE ONLY.

PER ASME Y14.5M-1994

THIS DRAWING PREPARED EXCLUSIVELY FOR FORD AND THEIR RELATED COMPANIES.

southco[®]
CONNECT • CREATE • INNOVATE

DESCRIPTION
QUARTER TURN FASTENER, D4-H6

SIZE A3 SYSTEM NX DWG NO. J-D4-H6-K

DRAWN BY YGC DATE 10 DEC 2010 SCALE 2:1 SHEET 1 OF 1